

Asserta Midi Sounder

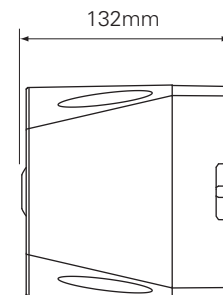
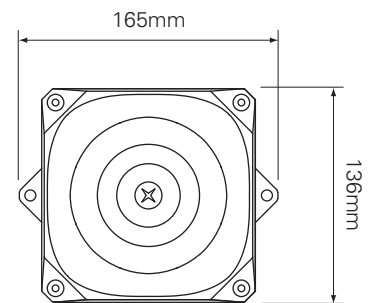
The Asserta Midi Sounder is a versatile, compact unit that has been designed for industrial environments or areas where there is a requirement for a robust alarm. Available for use in a wide range of fire and process systems.



Technical Specification

Voltage	9 - 60Vdc 24Vac* 115 - 230Vac
Current	24mA @ 24Vdc (Typical Tone 3) 23mA @ 24Vac (Typical Tone 3) 12mA @ 230Vac (Typical Tone 3)
Sound Output	108dB(A) @ 24Vdc (Typical Tone 3) 108dB(A) @ 24Vac (Typical Tone 3) 112dB(A) @ 230Vac (Typical Tone 3)
Tones	32
Alarm Stages	2
Monitoring	Reverse polarity (dc only)
Temperature	- 25°C to + 70°C
Protection	IP66
Construction	ABS, PC
Weight	0.5Kg (dc version) 0.7Kg (mains version)
Colour	Red or grey

* 24Vac version will also operate on 9 - 60Vdc. In dc configuration, tones can be switched by reversing supply polarity.



Features

- 112dB(A) output
- 32 alarm tones
- 2 stage alarm
- Robust design with IP66 protection

Benefits

- For Fire and general signalling use
- Large range of tone options
- Signals for different alarm levels
- For demanding environments

Reference

AS/M/S/9-60V/R
AS/M/S/9-60/G
AS/M/S/115/230/R
AS/M/S/115-230/G
AS/M/S/24VAC/R

Catalogue No.

7041134FUL-0020X
7041214FUL-0176X
7042134FUL-0023
7092267FUL-0144
7044134FUL-0022

Description

Asserta Midi Sounder, Red, 9 to 60Vdc
Asserta Midi Sounder, Grey, 9 to 60Vdc
Asserta Midi Sounder, Red, 115Vac/230Vac
Asserta Midi Sounder, Grey, 115Vac/230Vac
Asserta Midi Sounder, Red, 24Vac (24Vdc polarity reversal tone select)