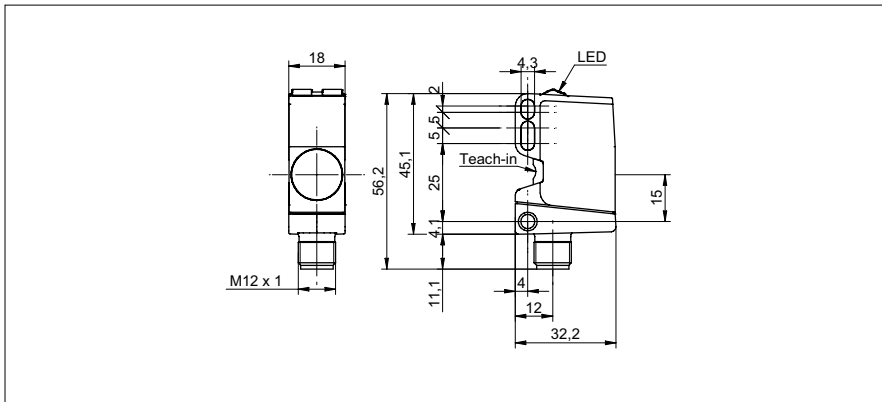


# Ultrasonic distance measuring sensors

**U500.DA0.2-11200623**

**dimension drawing**



**general data**

scanning range Sd	70 ... 1000 mm
scanning range close limit Sdc	70 ... 1000 mm
scanning range far limit Sde	70 ... 1000 mm
version	IO-Link dual channel
hysteresis typ.	4 % Sde
repeat accuracy	< 0,5 mm
resolution	< 0,3 mm
response time ton	< 40 ms
release time toff	< 40 ms
temperature drift	< 2 % of distance to target So
power-up drift	compensated after 15 min.
sonic frequency	200 kHz
adjustment	qTeach, line-Teach, IO-Link
alignment aid	light indicator flashing
light indicator	LED yellow
power on indication	LED green
alignment measuring axis	< 2°

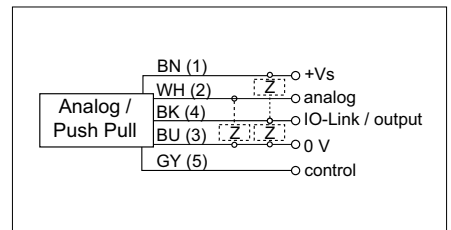
**electrical data**

voltage supply range +Vs	12 ... 30 VDC
current consumption typ.	35 mA
output circuit	voltage output
output signal	0 ... 10 V / 10 ... 0 V
output current	< 100 mA
voltage drop Vd	< 3,5 VDC
residual ripple	< 10 % Vs
short circuit protection	yes
reverse polarity protection	yes, Vs to GND

**photo**



**connection diagram**



## Ultrasonic distance measuring sensors

**U500.DA0.2-11200623**

<b>mechanical data</b>	
type	rectangular
housing material	plastic (ASA, PMMA)
coating active face	PEEK
width / diameter	18 mm
height / length	45 mm
depth	32 mm
connection types	connector M12 5 pin
<b>ambient conditions</b>	
operating temperature	-25 ... +65 °C
storage temperature	-40 ... +75 °C
protection class	IP 67
<b>communications interface</b>	
interface	IO-Link V1.1
baud rate	38,4 kBaud (COM 2)
cycle time	≥ 12 ms
process data length	32 Bit
process data structure	Bit 0 = SSC1 (distance) Bit 1 = SSC2 (distance) Bit 2 = quality Bit 3 = alarm Bit 5 = SSC4 (counter) Bit 8-15 = scale factor Bit 16-47 = 32 Bit measurement
IO-Link port type	Class A
additional data	distance excess gain operating cycles operating hours boot cycles operating voltage device temperature histograms
adjustable parameters	switching point switching hysteresis measured value filtering time filters LED status indicators output logic output circuit counter beam forming analog output characteristic function of pin 5 deactivate the sensor element Find Me function

# Ultrasonic distance measuring sensors

**U500.DA0.2-11200623**

typical sonic cone profile

