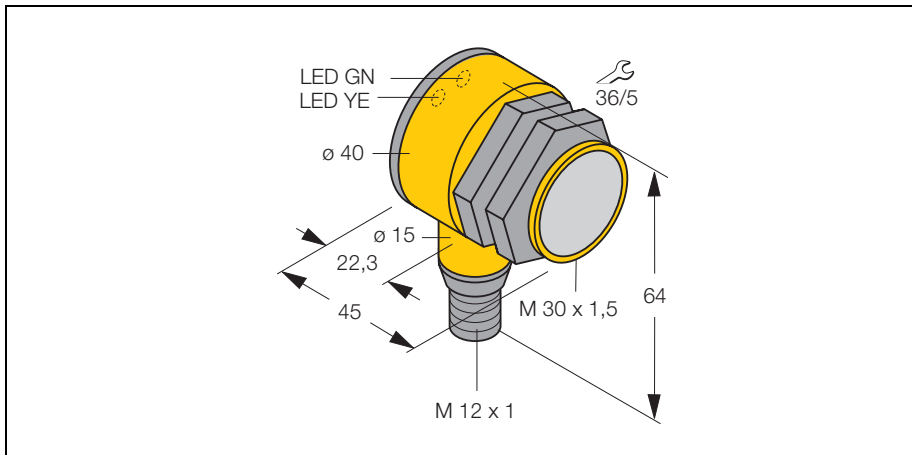


Photoelectric sensor

T30-SP6-R-Q

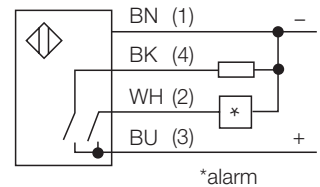
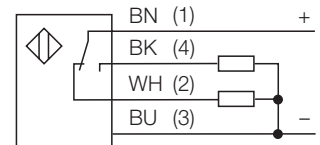


- Opposed mode (receiver)

- Connector, eurofast®

-

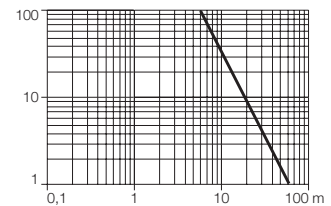
Wiring diagram



Function principles

Excess gain curve

Excess gain in relation to the distance



Type	T30-SP6-R-Q
Ident-No.	3467900
Operating mode	Opposed mode (receiver)
Type of light	IR
Wave length	950 nm
Range	≤ 60 m
Rated operational voltage (DC) U_B	10... 30 VDC
Rated operational current (DC) I_e	≤ 150 mA
No-load current I_0	≤ 25 mA
Short-circuit protection	yes, cyclic
Reverse polarity protection	yes
Output function	normally open / normally closed, PNP
Max. switching frequency	≤ 0,16 kHz
Max. switch-on delay	≤ 100 ms
Overload trip point	>220 mA
Degree of protection	IP 67
Operation temperature	-40...+ 70 °C
Housing style	cylindrical/thread; T30
Dimensions	64 x 45 mm
Housing material	plastic, PBT
Lens	Lexan
Wiring	connector
Supply voltage indication	LED green
Switching status indication	LED yellow
Error indication	LED green blinkend
Alarm indication	LED yellow blinkend