

Technical Data Sheet

Die-Cast Aluminium Switch Disconnectors

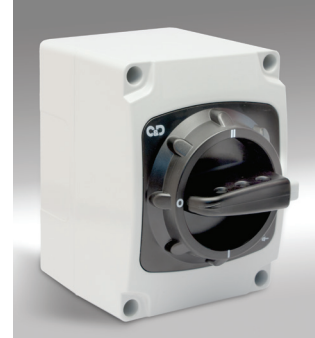
CDPD56
Issue 1

General Description

The 'i-switch' die cast range provides the user with a product that will withstand a good deal of rough treatment. With sealing to IP66 these assemblies can be placed in environments where resistance to impacts, moisture and dust/dirt are a concern. The option to add a selection of auxiliary blocks providing additional contacts and a choice of Neutral assemblies increases the flexibility of the product range.

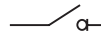


Size A & Size B enclosures as Switch-Disconnectors in both Red & Grey



20A Changeover Switch-Disconnector in a size A enclosure

Switch-Disconnectors (O-I)



C/O Switch-Disconnectors (I-O-II)



Catalogue Numbers

Rating	Format	Interior Switch product range	Catalogue Nos.		Enclosure Size (IP66)	
			Grey	Red		
20A	6P	GX20	SDDG206	SDDR206	A	
	6P+2EB Aux	GX20	SDDG206EB	SDDR206EB		
25A	2P	CS25	SDDG252	SDDR252	A	
	3P	CS25	SDDG253	SDDR253		
	3P+NL	CS25	SDDG253NL	SDDR253NL		
	3P+N	CS25	SDDG253N	SDDR253N		
32A	3P+2EB Aux	CS25	SDDG253EB	SDDR253EB	A	
	2P	CS32	SDDG322	SDDR322		
	3P	CS32	SDDG323	SDDR323		
	3P+NL	CS32	SDDG323NL	SDDR323NL		
40A	3P+N	CS32	SDDG323N	SDDR323N	A	
	3P+2EB Aux	CS32	SDDG323EB	SDDR323EB		
	2P	CS40R	SDDG402X	SDDR402X		
	3P	CS40R	SDDG403X	SDDR403X		
	3P+NL	CS40R	SDDG403NLX	SDDR403NLX		
	3P+N	CS40R	SDDG403NX	SDDR403NX		
	3P+2EB Aux	CS40R	SDDG403EBX	SDDR403EBX		
	2P	CS40R	SDDG402	SDDR402		B
	3P	CS40R	SDDG403	SDDR403		
	3P+NL	CS40R	SDDG403NL	SDDR403NL		
3P+N	CS40R	SDDG403N	SDDR403N			
63A	3P+2EB Aux	CS40R	SDDG403EB	SDDR403EB	B	
	6P	GX40	SDDG406	SDDR406		
	6P+2EB Aux	GX40	SDDG406EB	SDDR406EB		
	2P	CS63	SDDG632	SDDR632		
	3P	CS63	SDDG633	SDDR633		
	3P+NL	CS63	SDDG633NL	SDDR633NL		
80A	3P+N	CS63	SDDG633N	SDDR633N	B	
	3P+2EB Aux	CS63	SDDG633EB	SDDR633EB		
	6P	CS63	SDDG636	SDDR636		
	6P+2EB Aux	CS63	SDDG636EB	SDDR636EB		
80A	3P	CS80	SDDG803	SDDR803	B	
	3P+NL	CS80	SDDG803NL	SDDR803NL		
	3P+N	CS80	SDDG803N	SDDR803N		

Rating	Format	Interior Switch product range	Cat. No.	Enclosure Size (IP66)
20A	2P	GX20	SCODDG202	A
	3P	GX20	SCODDG203	
	4P	GX20	SCODDG204	
40A	2P	GX40	SCODDG402	B
	3P	GX40	SCODDG403	
	4P	GX40	SCODDG404	

'N' = switched neutral (Early make, late break)

'NL' = Unswitched neutral

'EB' = Early break auxiliary contacts

'X' = Bottom cable entries only. For top and bottom cable entries, replace 'X' with 'Y' in the catalogue reference. i.e. SDDG402Y

Accessories

Applicable to type 'CS' interiors only

Description	Cat. No.
Auxiliary Contact - 2 Early Break	SAUX2EB
Auxiliary Contact - 1 N/O + 1 N/C	SAUXCO
25A - 40A Compact Neutral (Unswitched)	SNLC40
63A Neutral (Unswitched)	SNL63
80A Neutral (Unswitched)	SNL80
25A Neutral (Switched)	SSP25
32A & 40A Neutral (Switched)	SSP40
63A Neutral (Switched)	SSP63
80A Neutral (Switched)	SSP80

Safety Features

Screwed lid enclosures have always been open to abuse by having the lid removable when the isolator is 'Off' and padlocked. This would allow the switch shaft to be turned manually to the 'On' position, thus defeating the safety padlocking feature.

The 'i-switch' range now incorporates a mechanical interlock which when a padlock is inserted prevents the enclosure lid from being removed.

Technical Data Sheet

Die-Cast Aluminium Switch Disconnectors

CDPD56
Issue 1

Enclosure

Material

Die cast aluminium alloy LM24 (BS1490)

Paint finish

Grey - RAL 7035

Red - RAL 3020.



Entries

Size A 20A - 32A

Std Cat No. : 2xM20 on bottom face

Suffix X : 2xM25 on bottom face

Suffix Y : 2xM25 on bottom face & 2xM25 on top face

Size A 40A

Std Cat No. : 2xM25 on bottom face

Suffix X : 2xM25 on bottom face

Suffix Y : 2xM25 on bottom face & 2xM25 on top face

Size B 40A

Std Cat No. : 2xM25 + 1xM20 on bottom face

Size B 63A

Std Cat No. : 2xM25 + 1xM20 on bottom face

Suffix X : 2xM32 + 1xM16 on bottom face

Suffix Y : 2xM32 + 1xM16 on bottom face & 2xM32 on top face

Size B 80A

Std Cat No. : 2xM32 + 1xM20 on bottom face

Suffix X : 2xM32 + 1xM16 on bottom face

Suffix Y : 2xM32 + 1xM16 on bottom face & 2xM32 on top face

Maximum number of possible entries:-

Size A - 4 (2 Top+2 Bottom).

Size B - 6 (3 Top+3 Bottom).

Cover Screws

Stainless Steel (Captive)

Earthing

Terminals are provided on both lid and base to allow full earth continuity to be maintained.

Mounting

All fixings are internal but outside of the IP66 sealed area. Guide channels are provided to assist with the fixing screw location.

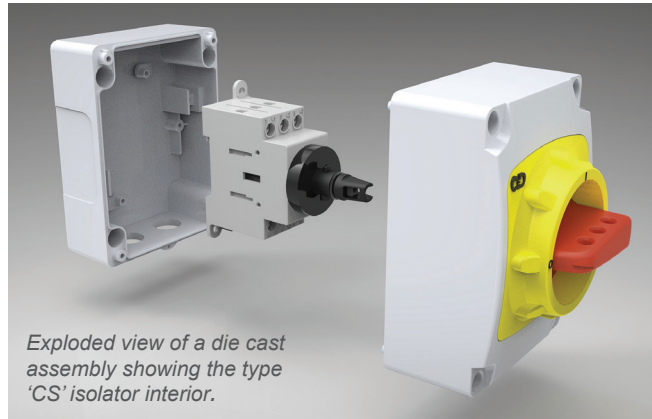
Switch-Disconnectors

2, 3 & 6 Pole Type **CS** - base mounted.
(Accepts add-on Aux. blocks & Neutrals, see page 13 for ratings)

6 Pole Type **GX** - base mounted.
(also available with 2 E/B Aux.)

Changeover Switch-Disconnectors

2, 3 & 4 Pole Type **GX** - base mounted.

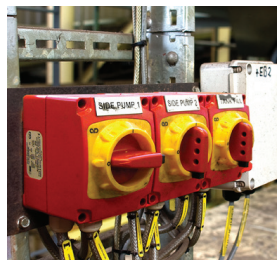


Exploded view of a die cast assembly showing the type 'CS' isolator interior.



The size 'B' enclosure is available with 'Start/Stop' or 'Start/Emergency Stop' pushbuttons.

...products for the real world



Technical Data Sheet

Die-Cast Aluminium Switch Disconnectors

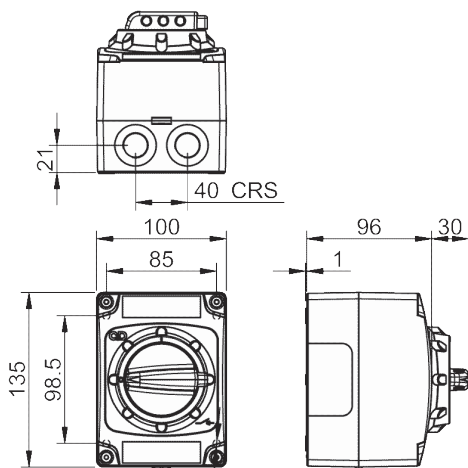
CDPD56
Issue 1

Technical Specification

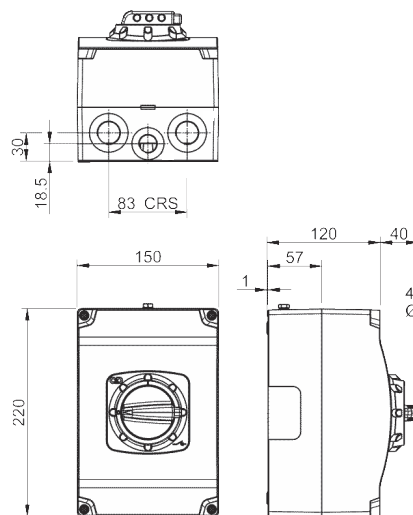
Application	Sym.	Unit	Category	Rating									
				20A	25A	32A	40A	63A	80A	100A			
Switch product range	-	-		GX20	CS25	GX32	CS32	GX40	CS40R	GN63	CS63	CS80	CS100
Rated thermal current	I_{the}	A		20	25	32	32	40	40	63	63	80	100
Rated insulation voltage	U_i	V		690	690	690	690	690	690	690	690	690	1000
Rated impulse voltage	U_{imp}	kV		6	6	6	6	6	6	6	6	6	8.0
Rated operational power(3 phase AC)		kW	380/440 - AC23	7.5	11	15	15	18.5	15	30	25	30	59
			500V - AC23	7.5	15	15	15	15	15	30	30	37	63
			690V - AC23	7.5	15	15	15	15	15	30	30	30	51
Rated short time withstand current (1 sec)	I_{cw}	A		250	500	800	600	800	600	1600	1300	1400	2600
Max. fuse size for short circuit protection (gG Characteristic)		kA	10kA	20	35	35	35	40	40	63	80	80	160
			25kA	16	32	35	32	35	32	63	63	63	160
			50kA	-	32	-	32	-	32	63	63	63	160
Recommended connecting capacity		-	Terminal type										
			mm ² Flexible cable	2.5 x 2	6	6 x 2	6	6 x 2	6	10	16	16	50
			mm ² Rigid cable	2.5 x 2	10	10 x 2	10	10 x 2	10	16	25	25	70
			Nm Tightening torque	1.0	1.2	1.0	1.2	1.0	1.2	1.2	1.2	1.2	2

Dimensions

Size A



40A - 63A



Size B

