

CLASS II - DIN RAIL POWER SUPPLIES

PSC4 Range

 Trademark
& Design
Registered

PSC 
 Series

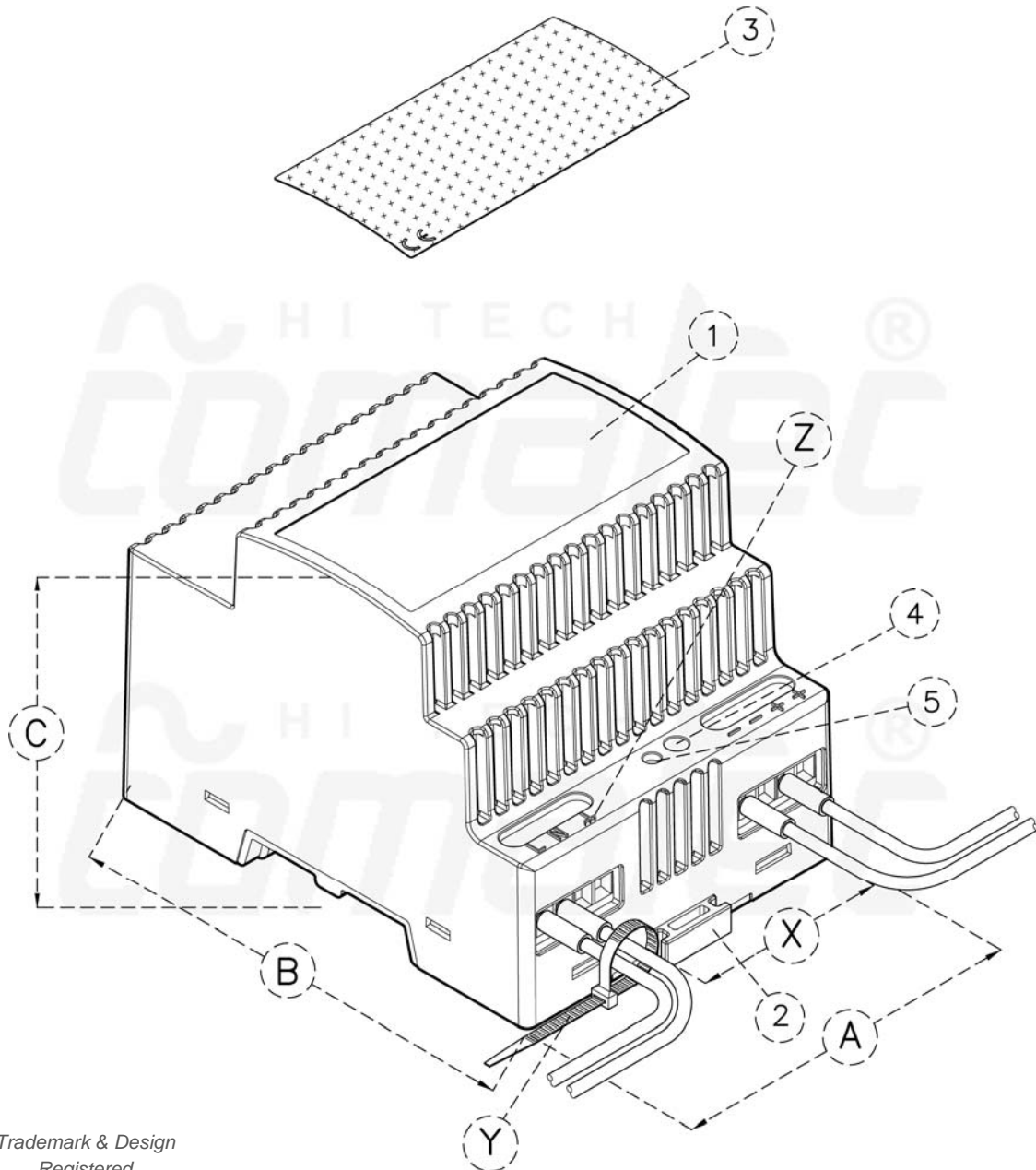
*Board
made in China*
*Assembly and tests
made in Italy*

Features

- Output protection: SCP / OVP / OLP
- Wide operating ambient temperature: (-10°C – 50 °C)
- High efficiency, long life and high reliability
- All using 105°C long life electrolytic capacitors
- 100 % full load burn-in test

MODEL	PSC4/36.12.M	PSC4/48.12.M	PSC4/60.12.M	PSC4/36.24	PSC4/48.24	PSC4/60.24
Input Voltage	230 Vac			110 – 240 Vac		
Input voltage range	195 – 264 Vac / 314 – 370 Vdc			94 – 264 Vac / 127 – 370 Vdc		
Frequency range	47 – 63 Hz					
Efficiency typical @ 25°C	85 %	85 %	85 %	85 %	83 %	85 %
Power factor typical	-					
AC current max.	< 1,5 A					
Inrush current typical	< 20 A with input voltage 115 Vac. < 40 A with input voltage 230 Vac. (Cold start)					
Leakage current	< 0,25 mA					
No load dissipation	1,5 – 3,5 W (195-264 Vac)			2,3 – 5,0 W (100 – 264 Vac)		
Output Voltage	12 Vdc			24 Vdc		
Rated current	3 A	4 A	5 A	1,5 A	2 A	2,5 A
Current range	0 - 3 A	0 - 4 A	0 – 5 A	0 – 1,5 A	0 – 2 A	0 – 2,5 A
Rated Power Max	36 W	48 W	60 W	36 W	48 W	60 W
Voltage adjustment range with trimmer	12 – 14 Vdc			24 – 28 Vdc		
Voltage accuracy	± 3 %					
Ripple & Noise	<50mVpp @ 0-50°C. <100mVpp @ -10-0°C			<120mVpp @ 0-50°C. <240mVpp @ -10-0°C		
Line regulation	± 0,5 %					
Load regulation	± 2,0 %					
Overshoot and Undershoot	< 5 %					
Temperature coefficient	± 0,03 % / °C					
Set-up time	< 2 sec. With input voltage 115 Vac.			< 1 sec. With input voltage 230 Vac. (Full load)		
Hold up time	> 15 m.sec. With input voltage 115 vac.			> 20 ms. With input voltage 230 Vac (Full load)		
Over load protection (OLP)	6 A – 7 A Constant current			3 A – 4 A Constant current		
Over voltage protection (OVP)	14,3 V – 18 V Shut down with re-power on to recover			28,3 V – 35 V Shut down with re-power on to recover		
Shorted circuit protection (SCP)	> 5 A Constant current			> 2,5 A Constant current		
Operating ambient temperature	- 10 °C to 50 °C (Refer to the derating curve)					
Operating ambient Humidity	5 % / 90 % RH					
Withstand voltage	Primary – Secondary : 4,24 KVdc ; < 10 mA					
Isolation resistance	> 100 MΩ					
Safety Standard	EN60950-1/Class II					
EMI Conduction and Radiation	Compliance to EN55022, EN55024, FCC Part 15 Class B					
Harmonic current	Compliance to EN61000-3-2-3 Class C					
EMS Immunity	Compliance to EN55024					
MTBF (MIL-HDBK-217F)	More than 100'000 hours (230Vac – ta 30°C – 50 Hz – Full Load)					
Dimension	Case 4 modules DIN. 93 x 72 x 68,5 mm					
Cooling method	Cooling by free air convection					

Mechanical Specification



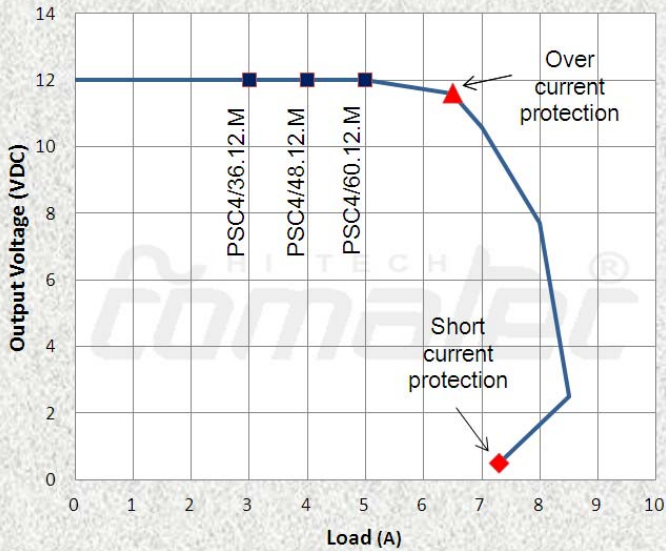
Trademark & Design
 Registered
 Copyright Reserved

1	Case 4M - UL94-V0 - (RAL7035)
2	Clamping spring
3	Label
4	Potentiometer (Voltage regulation)
5	Signal-LED
6	
7	

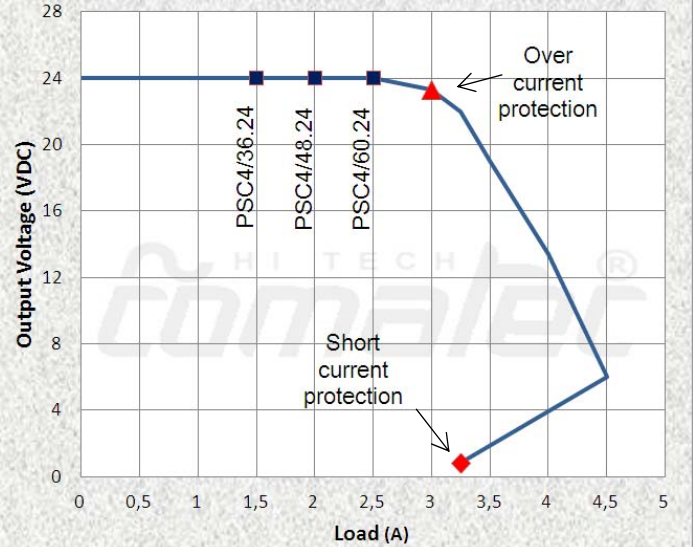
8		
9		
10		
A	72 mm	
B	93 mm	
C	68 mm	
D		

Characteristics Curves

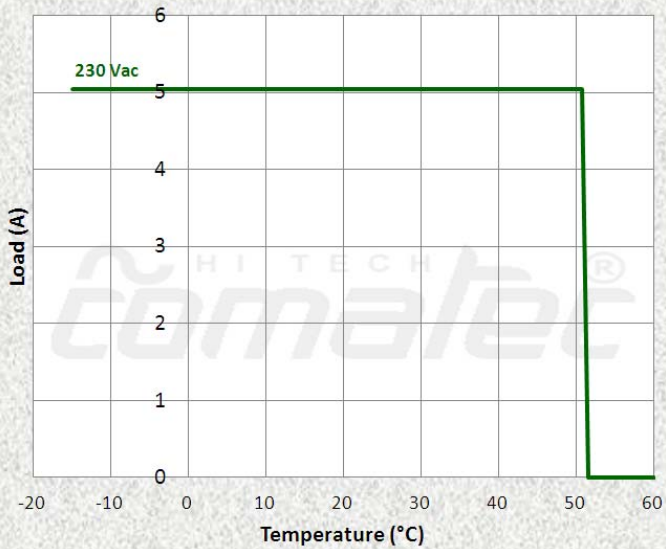
**Output Characteristics
12 Vdc Models**



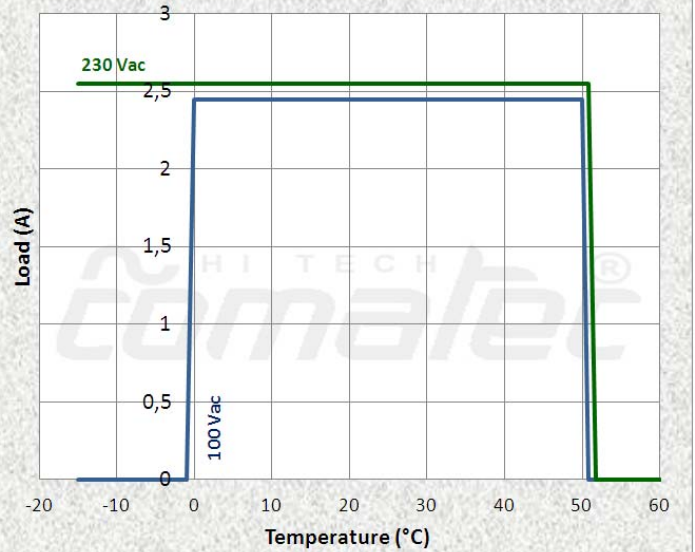
**Output Characteristics
24 Vdc Models**



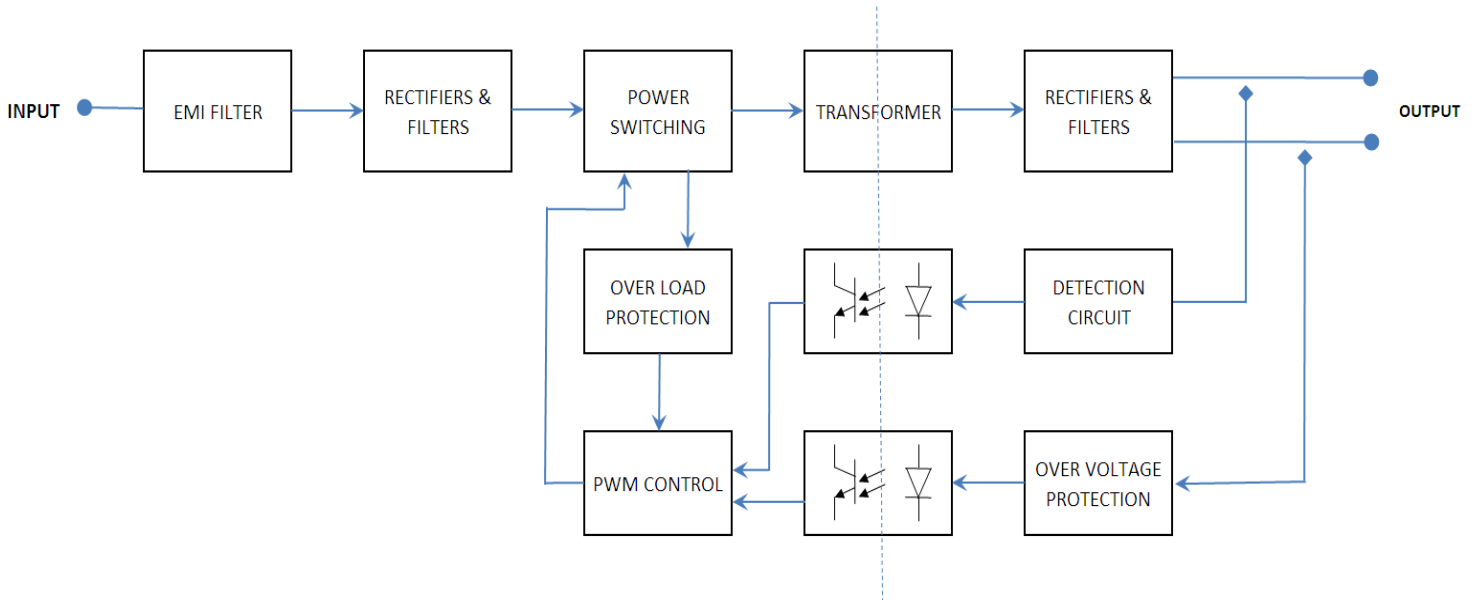
**Derating Curve
12 Vdc Models**



**Derating Curve
24 Vdc Models**



Block Diagram



Nous nous réservons le droit de modifier les caractéristiques techniques sans préavis

All specifications are subject to change without notice

Technische Änderungen vorbehalten

Ci riserviamo il diritto di modificare le caratteristiche tecniche senza preavviso

Nos permitimos de modifica las características técnicas sin preaviso

Trademark & Design Registered

Copyright Reserved