

CLASS II - DIN RAIL POWER SUPPLIES
PSC3 Range

Features

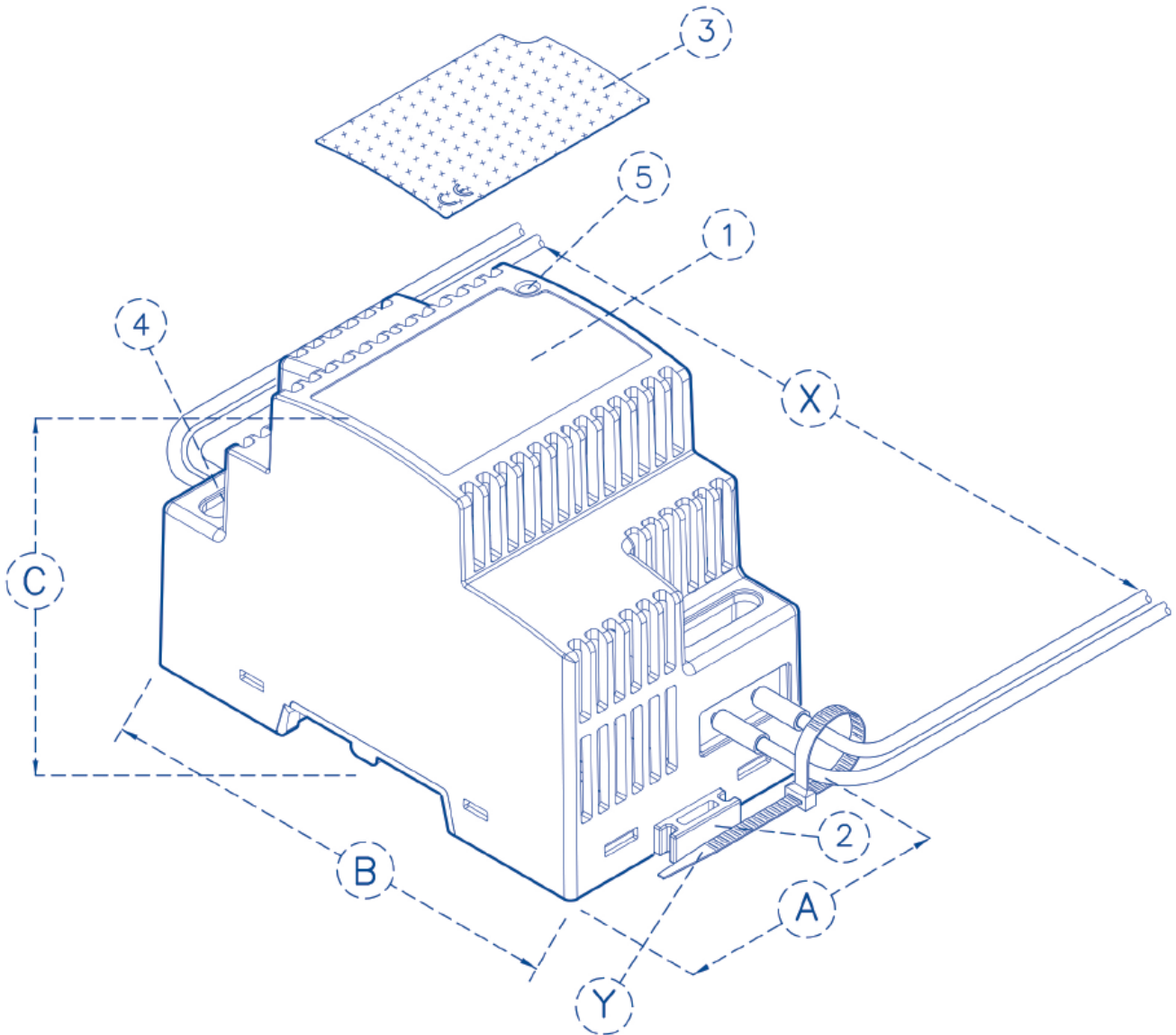
- Output protection: SCP / OVP / OLP
- High efficiency, long life and high reliability
- All using 105°C long life electrolytic capacitors
- 100 % full load burn-in test

PSC 
 Series

*Board
made in China*
*Assembly and tests
made in Italy*

MODEL	PSC3/24.12	PSC3/30.12	PSC3/24.24	PSC3/30.24	
Input Voltage	110 – 240 Vac				
Input voltage range	90 – 264 Vac / 127 – 370 Vdc				
Frequency range	47 - 63 Hz				
Efficiency typical @ 25°C	80 %		85 %		
Power factor typical					
AC current max.	< 1 A		< 1 A		
Inrush current typical	< 40 A with input voltage 230 Vac. (Cold start)				
Leakage current	< 0,25 mA				
No load dissipation	2,3 – 5,0 W (100 – 264 Vac)				
Output Voltage	12 Vdc	12 Vdc	24 Vdc	24 Vdc	
Rated current	2 A	2,5 A	1 A	1,25 A	
Current range	0 - 2 A	0 - 1 A	0 – 2,5 A	0 – 1,25 A	
Rated Power Max	24 W	30 W	24 W	30 W	
Voltage adjustment range with trimmer	12 – 14 Vdc		24 – 28 Vdc		
Voltage accuracy	± 3 %				
Ripple & Noise	< 100 mVpp		< 50 mVpp		
Line regulation	± 0,5 %				
Load regulation	± 2,0 %				
Overshoot and Undershoot	< 5 %				
Temperature coefficient	± 0,03 % / °C				
Set-up time	< 1 sec. With input voltage 230 Vac. (Full load)				
Hold up time	> 20 ms. With input voltage 230 Vac (Full load)				
Over load protection (OLP)	> 4 A Constant current		> 2 A Constant current		
Over voltage protection (OVP)	< 20 V		< 30 V		Shut down with latch mode
Shorted circuit protection (SCP)	> 3 A Constant current		> 1,5 A Constant current		
Operating ambient temperature	-10°C + 45°C	-10°C + 25°C	-10°C + 45°C	-10°C + 25°C	
Operating ambient Humidity	5 % / 90 % RH				
Withstand voltage	Primary – Secondary : 4,24 KVdc ; < 10 mA				
Isolation resistance	> 100 MΩ				
Safety Standard	EN60950-1/Class II				
EMI Conduction and Radiation	Compliance to EN55022, FCC Part 15 Class B				
Harmonic current	Compliance to EN61000-3-2 (3) Class C				
EMS Immunity	Compliance to EN55024				
MTBF (MIL-HDBK-217F)	More than 100'000 hours (230Vac – ta 30°C – 50 Hz – Full Load)				
Dimension	Case 3 modules DIN. 93 x 52,5 x 68,5 mm				
Cooling method	Cooling by free air convection				

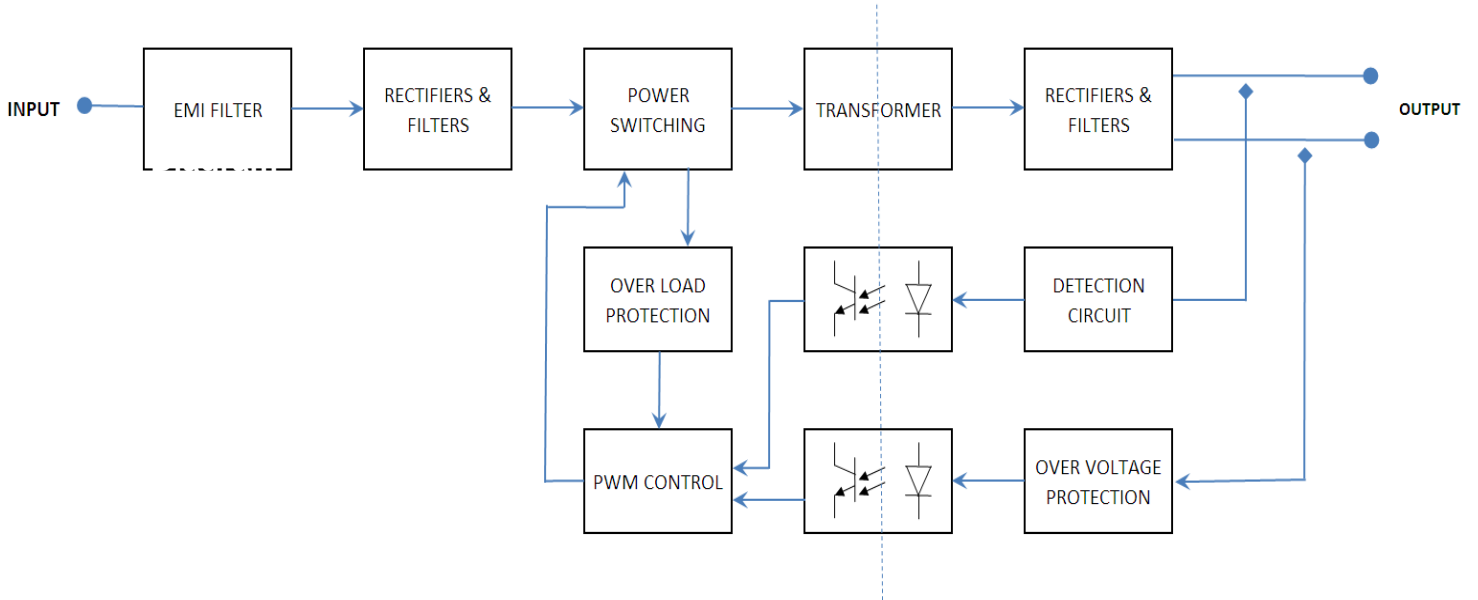
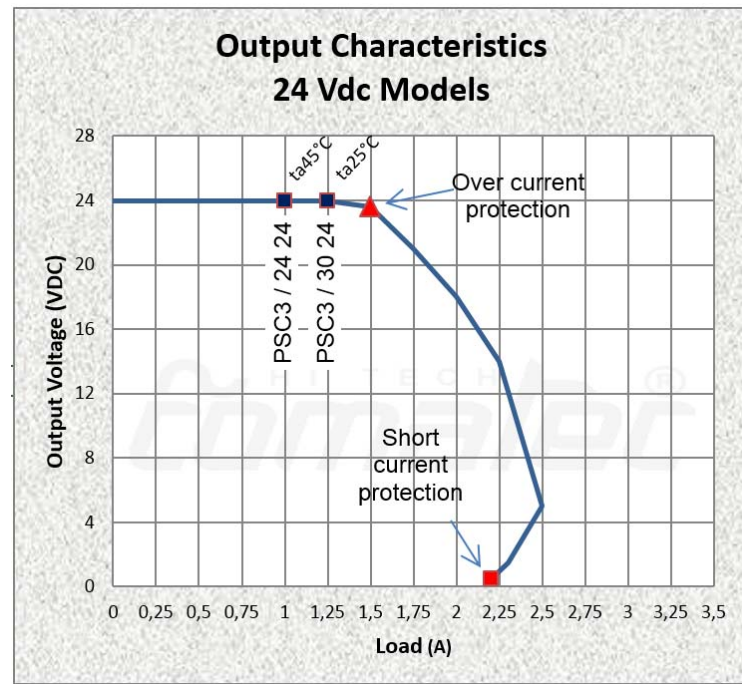
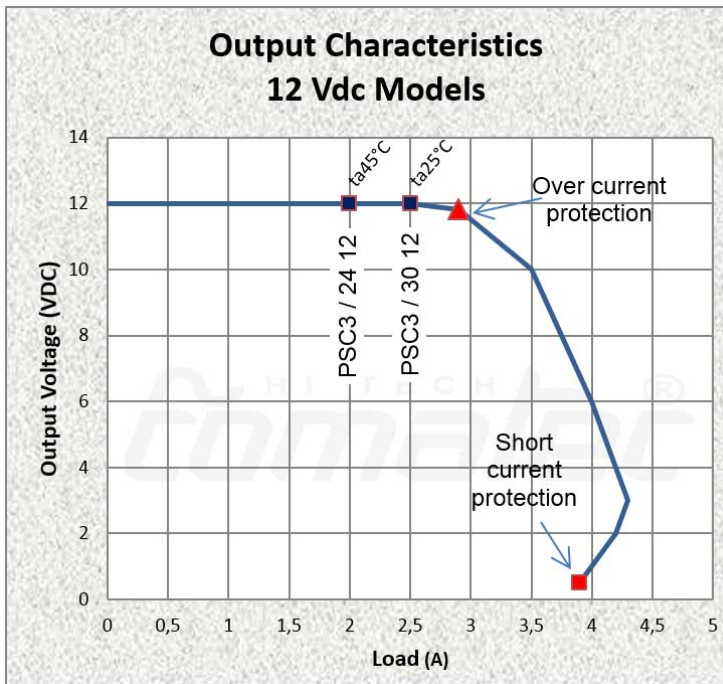
Mechanical Specification



1	Case 4M - UL94-V0 - (RAL7035)
2	Clamping spring
3	Label
4	Potentiometer (Voltage regulation)
5	Signal-LED
6	
7	

8		
9		
10		
A	52,5 mm	
B	95 mm	
C	68 mm	
D		

Characteristics Curves



All specifications are subject to change without notice

Trademark & Design Registered
Copyright Reserved