

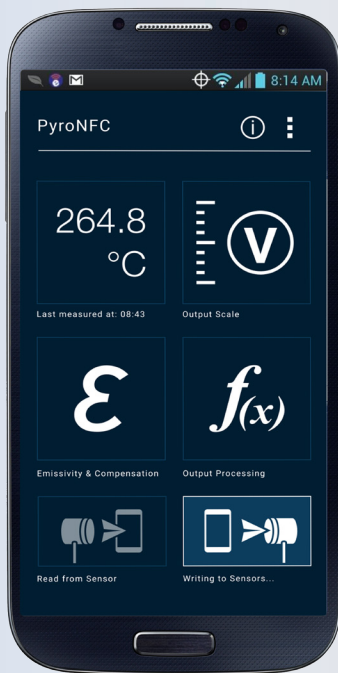
PyroNFC-K

Smartphone Configurable Infrared Temperature Sensor with Type K Thermocouple Output



- Non-contact industrial temperature sensor
- Fully configurable via smartphone app
- Type K Thermocouple output and open collector alarm output. Both can be used simultaneously
- Measures from 0°C to 1000°C, accurately and consistently
- Extremely small, with side-entry cable: ideal for mounting in tight spaces
- Fast response time: 125 ms
- Low cost, high performance
- Operates in ambient temperatures up to 80°C without cooling
- Form factor optimised for brake testing applications, plus many others

APP FEATURES



- Continuously read temperature from PyroNFC sensors
- Instantly configure PyroNFC sensors without powering them
- Simply touch the sensor with the device to communicate
- Compatible with NFC-equipped Android devices
- Get the app free from Google Play Store (search for “PyroNFC”)

GENERAL SPECIFICATIONS

Temperature Range

0 to 1000°C

Outputs

2 outputs, configurable via NFC:
Type K Thermocouple output and:
Open collector alarm output with temperature threshold and hysteresis

Field of View

15:1 (see OPTICS)

Accuracy

± 1.5% of reading or ± 1.5°C, whichever is greater

Repeatability

± 0.5% of reading or ± 0.5°C, whichever is greater

Response Time, t_{90}

125 ms

Configuration

Via Android app using NFC-equipped device (e.g. smartphone or tablet)

Emissivity

Adjustable via app

Emissivity Setting Range

0.2 to 1.0

Spectral Range

8-14 μm

Max. Supply Voltage

28 V DC

Min. Supply Voltage (at Sensor)

12 V DC (for 10 V output)

6 V DC (for 5 V output)

Max Current Draw

7 mA

ENVIRONMENTAL

Environmental Rating

IP65

Ambient Temperature Range

0°C to 80°C

Relative Humidity

95% max. non-condensing

CONFORMITY

Electromagnetic Compatibility (EMC)

EN61326-1, EN61326-2-3 (Electrical Equipment for Measurement, Control and Laboratory Use - EMC Requirements - Industrial)

RoHS Compliant

Yes

APP

Configurable Parameters

Alarm output threshold and hysteresis

Emissivity setting

Reflected temperature

Temperature Units

°C / °F

Signal Processing

Averaging Period (0.125 to 60 seconds)

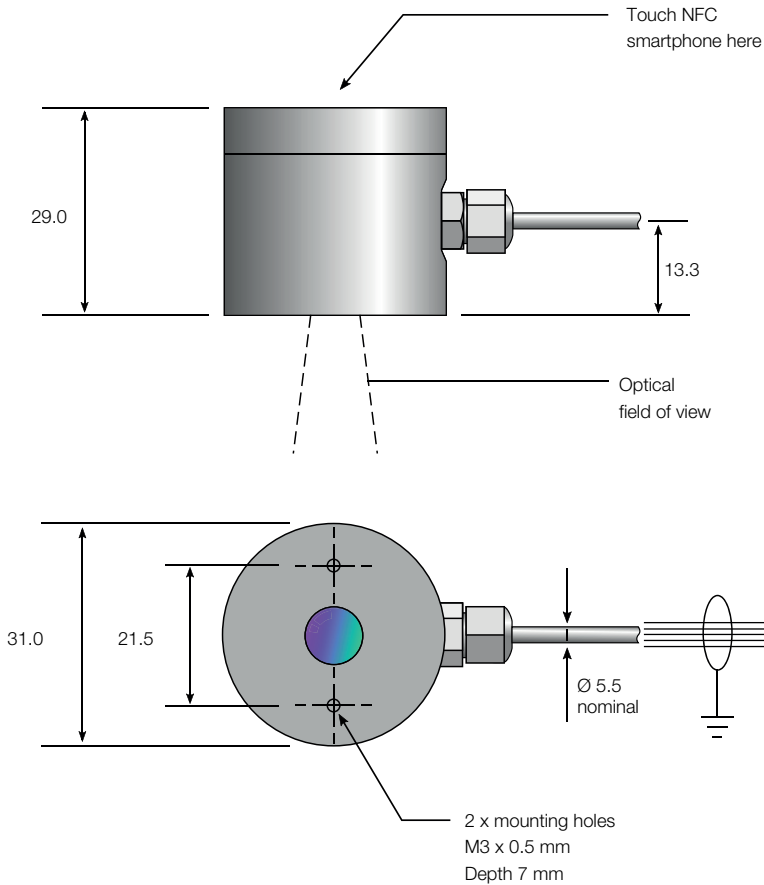
Peak / Valley Hold

Hold Period (0.125 to 1200 seconds)

Real Time Temperature Reading

Hold NFC device against sensor for continuous in-app temperature updates

DIMENSIONS AND CONNECTIONS



MECHANICAL SPECIFICATIONS

Construction

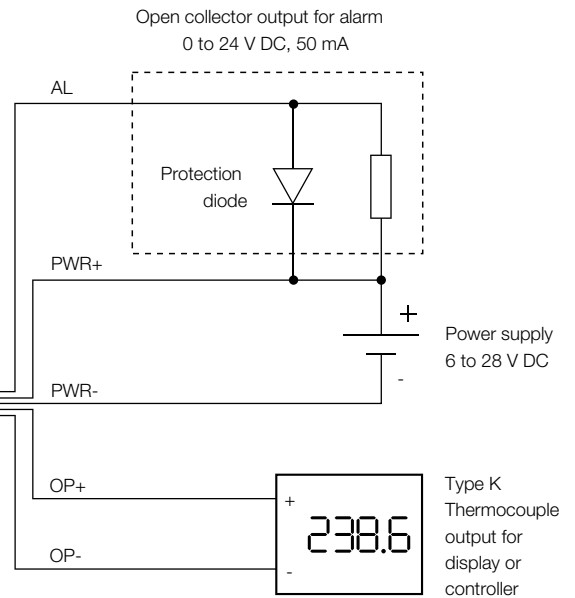
Black anodised aluminium and ABS

Cable Length

1 metre standard (longer lengths available to order)

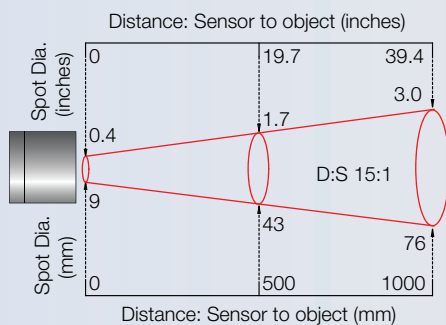
Weight with 1 Metre Cable

100 g

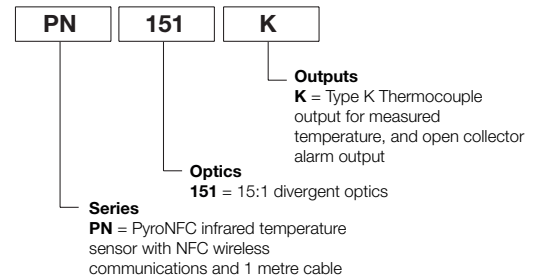


OPTICS

Diameter of target spot measured versus distance from sensing head (90% energy)



MODEL NUMBERS



ACCESSORIES

Fixed mounting bracket **FBN**

Adjustable mounting bracket **ABN**

Air purge collar **APN**

3-point UKAS traceable calibration certificate **CALCERTA**

Extended cable (30 m max) **PNCEK**

Calex Electronics Limited

PO Box 2, Leighton Buzzard, Bedfordshire, England LU7 4AZ

Tel: +44 (0)1525 373178/853800 Fax: +44 (0)1525 851319 Lo-call Tel: 0845 3108053

E-mail: mail@calex.co.uk Online: <http://www.calex.co.uk>

Issue A - February 16

Specifications subject to change without notice