

Preset counters electronic

1 preset, timer programmable

Display LED, 5-digits, programmable

NE210



NE210 - LED Preset counter

Technical data - electrical ratings

Voltage supply	24/48 VAC $\pm 10\%$ (50/60 Hz) 85...265 VAC (50/60 Hz) 24 VDC $\pm 10\%$
Power consumption	5 VA, 5 W
Sensor supply	24/48 VAC: 12-26 VDC/50 mA 85...265 VAC: 24 VDC $\pm 20\%$ /100 mA 24 VDC: 24 VDC $\pm 20\%$ /100 mA
Display	LED, 7-segment display
Number of digits	5-digits
Digit height	7.6 mm
Function	Preset counter Main counter with 1 preset
Scaling factor	0.001...99.999
Count modes	Adding or subtracting Difference counting A-B Total (parallel) A+B Up/Down A 90° B phase evaluation
Counting frequency	15 Hz, 10 kHz (set by Dip switch)
Preset	1 preset
Operating modes	Main preset, Time meter / time relay
Data memory	>10 years in EEPROM
Reset	Button, electric or automatic
Outputs electronic	NPN / PNP transistor switch
Outputs relay	Change-over contact, floating
Output holding time	0.01...99.99 s
Standard DIN EN 61010-1	Protection class II Overvoltage category II Pollution degree 2
Emitted interference	DIN EN 61000-6-4
Interference immunity	DIN EN 61000-6-2

Features

- Preset counter with one preset
- Display 5-digits
- Operating mode, start count, scaling factor programmable
- Connection: Incremental encoder or digital sensors
- Time meter with four time ranges
- Time relay with operation and release delay
- Programmable as a time counter

Technical data - electrical ratings

Programmable parameters	Operating modes Sensor logic Scaling factor Count mode Time relay function
Approval	UL approval / E63076

Technical data - mechanical design

Ambient temperature	0...+50 °C
Storage temperature	-20...+70 °C
Relative humidity	80 % non-condensing
Connection	Plug-in screw terminal connector
Core cross-section	1.5 mm ²
Protection DIN EN 60529	IP 65 (face with seal)
Operation / keypad	Membrane with softkeys
Housing type	Built-in housing
Dimensions W x H x L	48 x 48 x 108 mm
Mounting depth	108 mm
Mounting	Clip frame for built-in housing
Cutout dimensions	45 x 45 mm (+0.6)
Weight approx.	150 g (24 VDC/85-265 VAC), 260 g (24/48 VAC)
Materials	Housing: Makrolon 6485 (PC) Keypad: Polyester

Preset counters electronic

1 preset, timer programmable

Display LED, 5-digits, programmable

NE210

Part number

NE210.0 AXA1

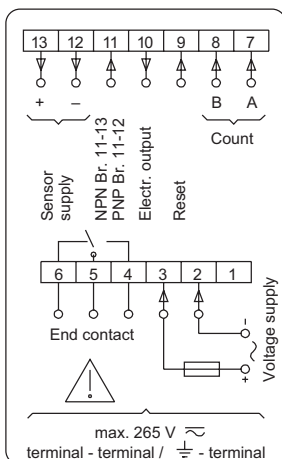
- Voltage supply**
- 1 24 / 48 VAC
 - 2 85...265 VAC
 - 3 24 VDC
- Outputs**
- 1 Relay output
 - 2 Relay, signal output PNP
 - 3 Relay, signal output NPN
 - 4 Without relay, signal output PNP

Accessories

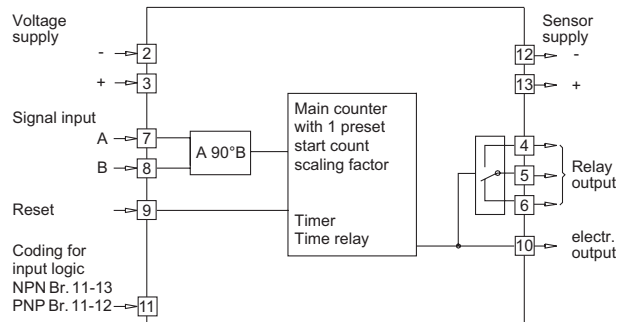
Adaptor plates

- | | |
|-----------|---|
| Z 118.033 | Adaptor plate for screw mount, face 60 x 75 mm |
| Z 118.034 | Adaptor plate for clip mount, face 53.2 x 53.2 mm |
| Z 118.035 | Adaptor plate for clip mount, face 60 x 75 mm |

Connection diagram



Block circuit diagram



Trigger level

Optocoupler inputs	Input circuit
Control inputs	PNP- / NPN-logic

Count input	
Trigger current	9...16 mA
Switch-off current	<0.5 mA
Input resistance	1.65 kΩ

Reset input	
Trigger current	5...8 mA
Switch-off current	<0.5 mA
Input resistance	3.3 kΩ

Relay output	Output circuit
Switching voltage max.	250 VAC / 110 VDC
Switching current max.	1 A
Switching capacity max.	150 VA / 30 W
Relay responding time	5 ms

Electronical outputs	Output circuit
PNP-switching transistor	Open collector
Switching voltage	24 VDC ±20%
Switching current max.	10 mA (AC) 50 mA (DC)

NPN-switching transistor	Open collector
Switching voltage max.	35 V
Switching current max.	50 mA

Dimensions

