

90W



Induction motors with spur gears

- All ball bearing gearbox as standard, rated to 10,000 hrs lifetime
- Continuous duty S1/reversible S2
- IP22 for leadwire and IP54 for terminal box
- Virtually silent running
- Globally approved CE/ UL/ cUL/CCC
- Supplied with run capacitor

Technical data, motor

Article No	Motor type	Supply voltage VAC/Hz	Output power	Speed r/min	Torque Ncm	Current A	Capacitor μ F	Weight with gearbox Kg
M91Z90G4GGA	Lead wire	1-Phase 230/50	90	1250	69	0,89	6,0 (450V)	4,7/4,8
M91Z90GK4GGA	T-box	1-Phase 230/50	90	1250	69	0,89	6,0 (450V)	4,7/4,8
M9MZ90G4YGA	3x230v, Lead wire	3-Phase 230/50	90	1320	61	0,56	6,0 (450V)	4,7/4,8
M9MZ90GK4YGA	3x230v, T-box	3-Phase 230/50	90	1320	61	0,56	6,0 (450V)	4,7/4,8
M9MZ90GK4CGA	400v, T-box	3-Phase 400	90	1350	64	0,31	6,0 (450V)	4,8
M9RZ90GK4GG1	Reversible	1-Phase 230/50	90	1250	69	0,92	7,0 (450V)	4,8
M9RZ90GR4GG1	Brake	1-Phase 230/50	90	1275	67	0,89	7,0 (450V)	5,2
M91Z90GN4GG1	Variable speed (with tacho)	1-Phase 230/50	90	90-1200	29-54	1,50	6,0 (450V)	4,0

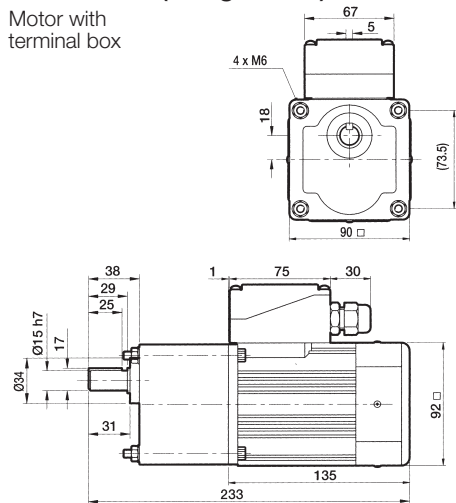
Technical data, gearbox

Nominal speed r/min	500	300	150	100	75	50	30	20	15	12.5	10	8.3	7.5	
Ratio	3	5	10	15	20	30	50	75	100	120	150	180	200	Max gearbox output torque 19.60Nm
Nominal torque Nm	1.37	2.25	4.51	6.76	9.02	13.00	19.60	19.60	19.60	19.60	19.60	19.60	19.60	

Output speed based on synchronous motor speed (1500 r/min). Actual speed depends on load resulting in 2-20% slower. For high torque gearboxes, see page 9.

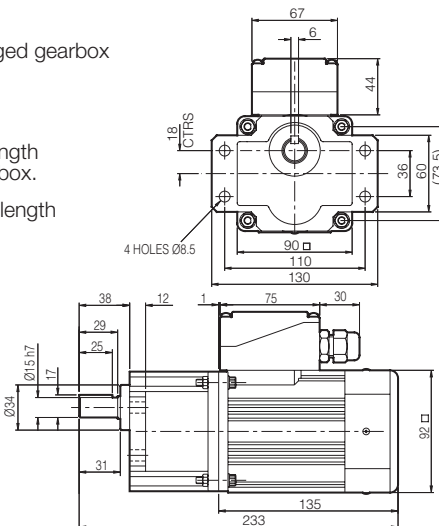
Dimensions (inc. gearbox)

Motor with terminal box



Flanged gearbox

Add 43mm to length for decimal gearbox.
Add 48.5mm to length for brake motor.



Ordering information

Part number	Description
M9B2	Foot mount (forward feet)
M9B3	Foot mount (reverse feet)

Square	Flanged	
Part number	Part number	Description
MZ9G3B	MY9G3B	Ratio 3:1
MZ9G5B	MY9G5B	Ratio 5:1
MZ9G10B	MY9G10B	Ratio 10:1
MZ9G15B	MY9G15B	Ratio 15:1

Other gearbox ratios are available on request

Square	Flanged	
Part number	Part number	Description
MZ9G20B	MY9G20B	Ratio 20:1
MZ9G30B	MY9G30B	Ratio 30:1
MZ9G50B	MY9G50B	Ratio 50:1
MZ9G75B	MY9G75B	Ratio 75:1
MZ9G100B	MY9G100B	Ratio 100:1
MZ9G120B	MY9G120B	Ratio 120:1
MZ9G150B	MY9G150B	Ratio 150:1
MZ9G180B	MY9G180B	Ratio 180:1
MZ9G200B	MY9G200B	Ratio 200:1
MZ9G10XB		Inter decimal gearbox 10:1