









EZ-LIGHT™ One-Color General-Purpose Indicators



DC-Operated LED Indicators with One Color

For the latest technical information about this product, including specifications, dimensions, and wiring, see www.bannerengineering.com

Models

Models*		LED Color**	Models*		LED Color**
	T8LGXXPQP	Green		K30LGXXPQ	Green
	T8LXRXQP	Red		K30LXRXQP	Red
	T8LXXYPQP	Yellow		K30LXXYPQ	Yellow
	<ul style="list-style-type: none"> • Polycarbonate/ABS alloy housing, thermoplastic diffuser. • IP67 			<ul style="list-style-type: none"> • 22 mm threaded polycarbonate base, translucent polycarbonate dome. • Fully encapsulated IP67, IP69K 	
	M18GXXPQ	Green		K50LGXXPQ	Green
	M18XRXQP	Red		K50LXRXQP	Red
	M18XXYPQ	Yellow		K50LXXYPQ	Yellow
	<ul style="list-style-type: none"> • Nickel-plated brass housing, thermoplastic diffuser. • Fully encapsulated IP67 			<ul style="list-style-type: none"> • 30 mm threaded polycarbonate base, translucent polycarbonate dome. • Fully encapsulated IP67, IP69K 	
	T18GXXPQ	Green		K50FLGXXPQ	Green
	T18XRXQP	Red		K50FLXRXQP	Red
	T18XXYPQ	Yellow		K50FLXXYPQ	Yellow
	<ul style="list-style-type: none"> • Thermoplastic polyester housing, thermoplastic diffuser. • Fully encapsulated IP67 			<ul style="list-style-type: none"> • Polycarbonate base, translucent polycarbonate dome. • Fully encapsulated IP67, IP69K 	
	T30GXXPQ	Green		K80LGXXPQ	Green
	T30XRXQP	Red		K80LXRXQP	Red
	T30XXYPQ	Yellow		K80LXXYPQ	Yellow
	<ul style="list-style-type: none"> • Thermoplastic polyester housing, thermoplastic diffuser. • Fully encapsulated IP67 			<ul style="list-style-type: none"> • ABS and polycarbonate base, translucent polycarbonate dome. • Electronics fully encapsulated IP67 	

* A QD model requires a mating cable; see [4-Pin Euro-Style Cordsets](#) on page 4.

T8L Models: Standard pigtail QD models are listed. For integral 4-wire cable model, omit suffix **QP** (example, **T8LGXXP**).

K80L Models: Standard 4-pin Euro integral QD connector models are listed. For terminal-wired model, omit suffix **Q** (example, **K80LGXXP**).

Other Models: Standard 4-pin Euro integral QD connector models are listed. For 2 m (6.5') integral 4-wire cable model, omit suffix **Q** (example, **M18GXXP**). For 150 mm (6") PVC pigtail with 4-pin Euro connector, replace suffix **Q** with **QP** (example, **M18GXXPQP**).

** Contact Factory for other colors/color combinations, including: blue, white, orange.



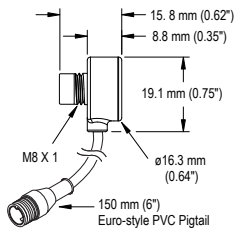


WARNING: Not To Be Used for Personnel Protection

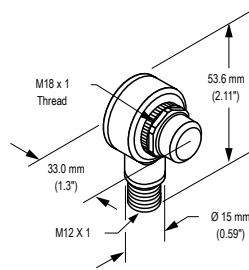
Never use this product as a sensing device for personnel protection. Doing so could lead to serious injury or death. This product does NOT include the self-checking redundant circuitry necessary to allow its use in personnel safety applications. A sensor failure or malfunction can cause either an energized or de-energized sensor output condition.

Dimensions

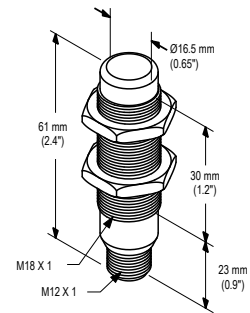
T8L Models



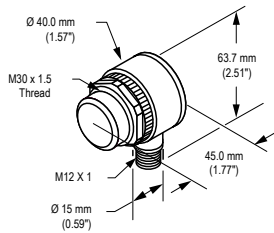
T18 Models



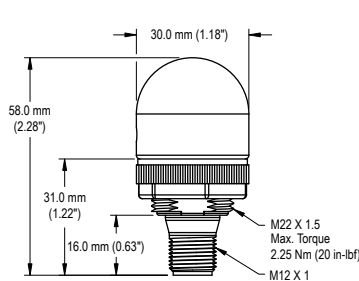
M18 Models



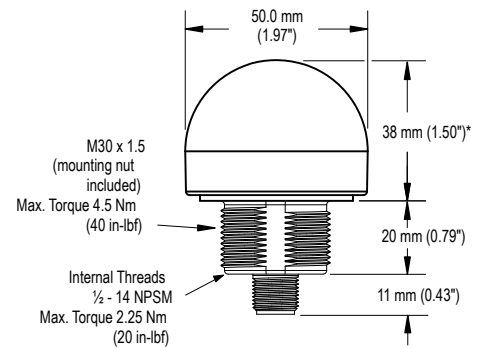
T30 Models



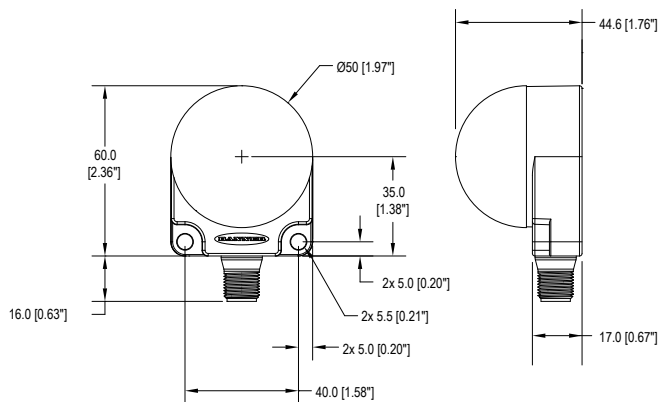
K30L Models



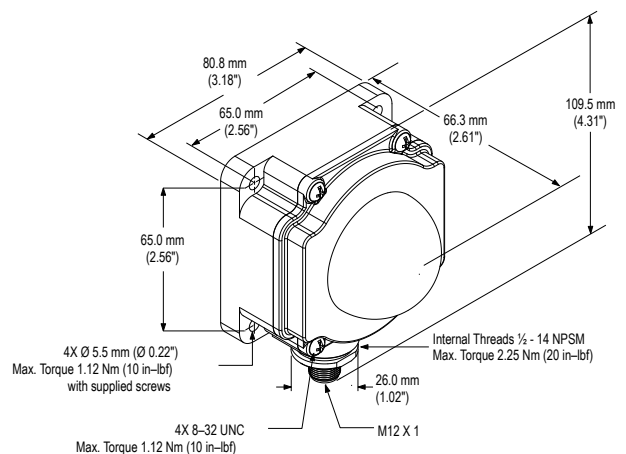
K50L Models



K50FL Models



K80L Models



Specifications

Supply Voltage and Current

T8L models: 5 to 30V dc @ 20 mA max.
 T18, M18, and K30L models: 10 to 30V dc @ 25 mA max.
 T30 models: 10 to 30V dc @ 40 mA max.
 K50L, K50FL, and K80L models: 18 to 30V dc @ 50 mA max.

Indicators

Entire translucent diffuser or dome provides indication.
 Green, Red, or Yellow LED, depending on model. For other colors, contact Factory for availability.

Input Response Time

Indicator ON/OFF: 1 ms max.

Construction

See Models table.

Connections

K80L models: 4-pin Euro-style integral QD (Q) standard; terminal-wired models available for use with bulk cable; compression fitting optional. Contact Factory for cable information.

Other models: 4-pin Euro-style integral QD (Q), 6" pig-tail QD (QP), or 4-wire, 2 m (6.5') integral cable, depending on model

Environmental Rating

Rated IEC IP67. T8L not encapsulated; K80L has encapsulated electronics only; other models fully encapsulated. K30L, K50L, and K50FL QD models meet IP69K, per DIN 40050-9. Cabled models also meet IP69K if the cable and cable entrance are protected from high-pressure spray.

Operating Conditions

-40° to +50° C (-40° to +122° F)

Certifications

All models meet CE; K30L and K50L models also meet UL

Wiring

For NPN Operation		
Green LED	Red LED	Yellow LED
Pin 1 and Pin 2 not used	Pin 4 and Pin 2 not used	Pin 1 and Pin 4 not used
For PNP Operation		
Green LED	Red LED	Yellow LED
Pin 1 and Pin 2 not used	Pin 4 and Pin 2 not used	Pin 1 and Pin 4 not used
Wiring Key:		
1 = Brown 2 = White 3 = Blue 4 = Black		

4-Pin Euro-Style Cordsets

4-Pin M12/Euro-Style Cordsets (straight connector)	4-Pin M12/Euro-Style Cordsets (right-angle connector)
MQDC-406, 2 m (6.5')	MQDC-406RA, 2 m (6.5')
MQDC-415, 5 m (15')	MQDC-415RA, 5 m (15')
MQDC-430, 9 m (30')	MQDC-430RA, 9 m (30')

Accessory Mounting Brackets

For more information about these and other available brackets, visit www.bannerengineering.com.

K50FL models include a 48 mm (1.9") circular hook-and-loop mounting kit for easy mounting with no additional hardware required.

For use with T8L models:
SMB8MM

For use with M18 and T18 models or base-mount T30 models:

- SMB18A
- SMB1815SF
- SMB18Q
- SMB18SF
- SMB312PD
- SMBAMS18RA
- SMBAMS18P

For use with T30 models or base-mount K50L models:

- SMB30A
- SMBAMS30RA
- SMBAMS30P
- SMB30SC
- SMB30MM
- SMB3018SC

DIN-mount bracket for K80L models:
SMBDX80D

Contact Us

For more information: Contact your local Banner representative or Banner Corporate Offices around the world.

Corporate Headquarters: Banner Engineering Corp. 9714 Tenth Ave. North, Mpls., MN 55441, Tel: 763-544-3164, www.bannerengineering.com, sensors@bannerengineering.com

Europe: Banner Engineering Europe Park Lane, Culliganlaan 2F, Diegem B-1831 BELGIUM, Tel: 32-2 456 07 80, Fax: 32-2 456 07 89, www.bannereurope.com, mail@bannereurope.com

Latin America: Contact Banner Engineering Corp. (US) or e-mail **Mexico:** mexico@bannerengineering.com; or **Brazil:** brasil@bannerengineering.com

Asia:

Banner Engineering China Shanghai Rep Office Rm. G/H/I, 28th Flr. Cross Region Plaza No. 899, Lingling Road, Shanghai 200030 CHINA, Tel: 86-21-54894500, Fax: 86-21-54894511, www.bannerengineering.com.cn, sensors@bannerengineering.com.cn

Banner Engineering Japan Cent-Urban Building 305 3-23-15, Nishi-Nakajima Yodogawa-Ku, Osaka 532-0011 JAPAN, Tel: 81-6-6309-0411, Fax: 81-6-6309-0416, www.bannerengineering.co.jp, mail@bannerengineering.co.jp

Banner Engineering Asia — Taiwan Neihu Technology Park 5F-1, No. 51, Lane 35, Jihu Rd., Taipei 114 TAIWAN, Tel: 886-2-8751-9966, Fax: 886-2-8751-2966, www.bannerengineering.com.tw, info@bannerengineering.com.tw

Banner Engineering India Pune Head Quarters Office, No. 1001 Sai Capital, Opp. ICC Senapati Bapat Road, Pune 411016 INDIA, Tel: 91-20-66405624, Fax: 91-20-66405623, www.bannerengineering.co.in, india@bannerengineering.com



Warranty: Banner Engineering Corporation warrants its products to be free from defects for a period of one year. Banner Engineering Corporation will repair or replace, free of charge, any product of its manufacture found to be defective at the time it is returned to the factory during the warranty period. This warranty does not cover damage or liability for the improper application of Banner products. This warranty is in lieu of any other warranty either expressed or implied.