

Technical Data

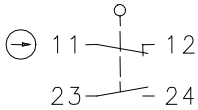
Plastic bodied limit switch

Series I88

Description **I88-U1Z HW RO11**

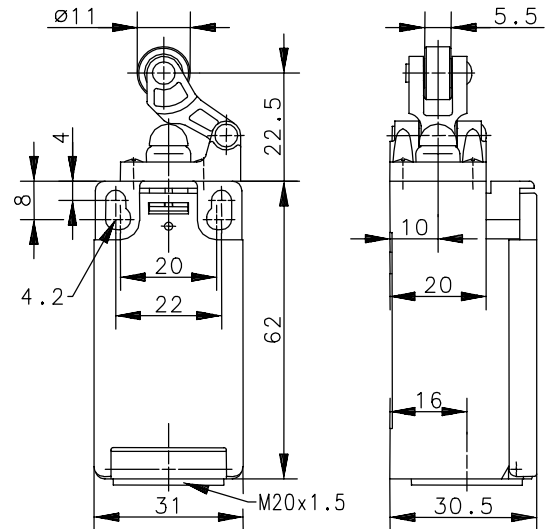
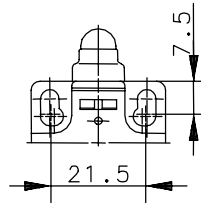
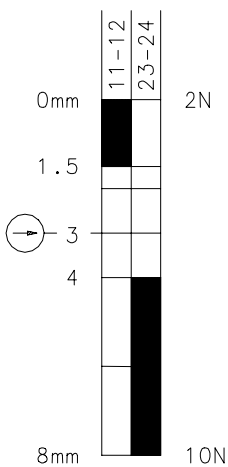
Article number **6086121021**



Operating symbol



Fixed positioning for safety applications
Mounting screw according to DIN 912 M5

Operating diagram



  Tolerance:
 On Off Operating point $\pm 0,25\text{mm}$;
 Actuating force $\pm 10\%$

Electrical data

| | | |
|---------------------------------|-----------|-----------------------------------|
| Rated insulation voltage | U_i | 250V AC |
| Conv. thermal current | I_{the} | 10A |
| Rated operational voltage | U_e | 240V |
| Utilization category | | AC-15, U_e/I_e 240V/3A |
| Direct opening action | \ominus | acc. to IEC/EN 60947-5-1, Annex K |
| Short-circuit protective device | | Fuse 10A gL/gG |
| Protection class | | II, totally insulated |

This document will not become the contractual basis; the details included herein do not constitute any descriptions of expected conditions, so that warranties/claims for defects on account of possible variations of the actual qualities from the qualities described herein are explicitly excluded. All rights reserved. Specifications subject to change without notice!

Date of issue: 29.09.2005 / Page 1 of 2
Document : 6086121021_en / Last update : 2 / 2857-05

Technical Data

Plastic bodied limit switch

| Mechanical data | |
|--------------------------|--|
| Enclosure | Thermoplastic, glass fibre reinforced (UL 94-V0) |
| Cover | Thermoplastic, glass fibre reinforced (UL 94-V0) |
| Actuator | Lever with roller (thermoplastic) |
| Ambient air temperature | -30°C ... +80°C |
| Contact type | 1 NC, 1 NO (Zb) |
| Mechanical life | 10 x 10 ⁶ switching cycles |
| Switching frequency | ≤ 100/min |
| Assembly | 2 x M4 |
| Connection | 4 screw connections (M3,5) |
| Conductor cross-sections | Solid: 0.5 ... 1.5mm ² Litz wire with ferrules: 0.5 ... 1.5mm ² |
| Cable entrance | 1 x M20x1,5 |
| Weight | ≈ 0,07kg |
| Installation position | Operator definable |
| Protection type | IP65 acc. to EN 60529; DIN VDE 0470 T1 |

Actuation

The actuating device is preferably started from 2 sides.

By loosening the 4 screws the actuation assembly can be rotated in 90 degree increments such that 4 actuation directions are possible.

The actuation assembly is to be again fastened to the housing using the 4 screws.

| | |
|------------------|--|
| Standards | VDE 0660 T100, DIN EN 60947-1, IEC 60947-1 VDE 0660 T200, DIN EN 60947-5-1, IEC 60947-5-1 |
|------------------|--|

| | |
|----------------------|-----------|
| EU Conformity | CE |
|----------------------|-----------|

| | |
|------------------|-----------------------------|
| Approvals | cCSAus A300 (same polarity) |
|------------------|-----------------------------|

Notes

The degree of protection (IP code) specified applies solely to a property closed cover and the use of an equivalent cable gland with adequate cable.