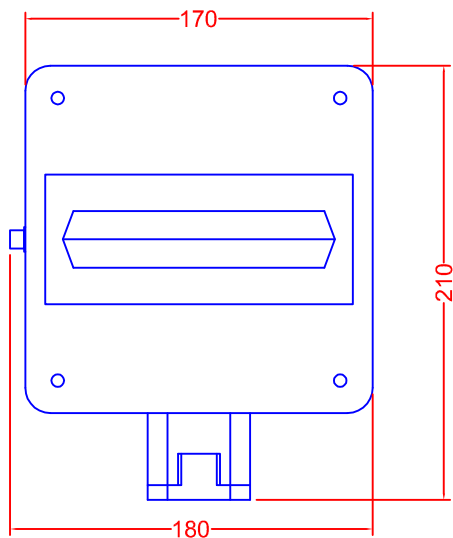
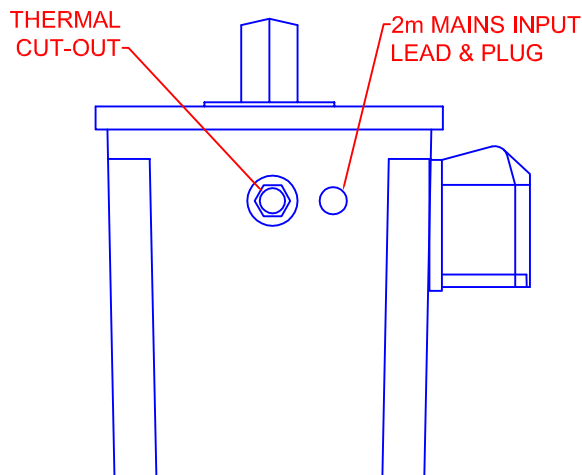
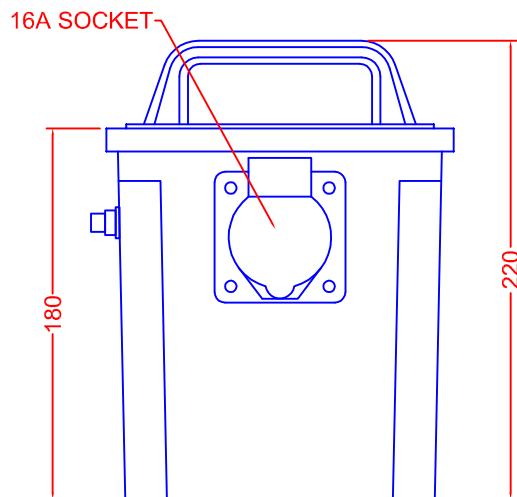


TOLERANCES (UNLESS SPECIFIED)	
0-10mm	±0.2mm
10.1-50mm	±0.5mm
50.1-250mm	±1.0mm
>250mm	±2.0mm



PORTABLE TOOLS TRANSFORMER
 TYPE: ISOLATION
 INPUT: 240V 50Hz
 OUTPUT: 55-0-55V
 CENTER TAP EARTHED
 RATING: 1.0KVA INTERMITTENT
 5MINS ON 15MINS OFF
 THERMAL CUT-OUT: 4A
 OUTPUT SOCKET: 16A BS EN 60309
 RATED IP44
 INPUT PLUG: 13A BS1363
 ENCLOSURE: GRP
 RATED IP55
 COLOUR: YELLOW

REV	
4	
3	
2	
1	

CARROLL & MEYNELL
 TRANSFORMERS LIMITED
 TEL: 01642 617406 FAX: 01642 614178
 enquiries@carroll-meynell.com

TITLE
**PORTABLE TOOL
 TRANSFORMER CM10001**
 ALL DIMENSIONS IN mm

DRAWN	PROJECTION	DATE	SCALE
SH		26/4/8	NTS
DRAW No	REV	PAGE	
3253	0	1/1	