



Door-coupling rotary operating mechanism for harsh conditions For circuit breaker Size S00/S0 Handle gray

product brand name	SIRIUS
product designation	door-coupling rotary operating mechanism for heavy-duty operating conditions
design of the product	standard
suitability for use	circuit-breakers S0
General technical data	
size of the circuit-breaker	S0
product feature can be locked into OFF position	Yes
certificate of suitability	CE / UL / CSA
Actuator	
product feature interlock	Yes
color of the actuating element	gray
Installation/ mounting/ dimensions	
mounting position	any
fastening method	screw fixing

Approvals Certificates

General Product Approval	Declaration of Conformity	Test Certificates
--------------------------	---------------------------	-------------------

[Confirmation](#)



[Special Test Certificate](#)

[Type Test Certificates/Test Report](#)

Marine / Shipping	other	Environment
-------------------	-------	-------------



[Household and similar appliances](#)

[Confirmation](#)



[Environmental Confirmations](#)

Further information

Siemens has decided to exit the Russian market (see here).

<https://press.siemens.com/global/en/pressrelease/siemens-wind-down-russian-business>

Siemens is working on the renewal of the current EAC certificates.

Please contact your local Siemens office on the status of validity of the EAC certification if you intend to import or offer to supply these products to an EAC relevant market (other than the sanctioned EAEU member states Russia or Belarus).

Information on the packaging

<https://support.industry.siemens.com/cs/ww/en/view/109813875>

Information- and Downloadcenter (Catalogs, Brochures,...)

<https://www.siemens.com/ic10>

Industry Mall (Online ordering system)

<https://mall.industry.siemens.com/mall/en/en/Catalog/product?mlfb=3RV2926-3B>

Cax online generator

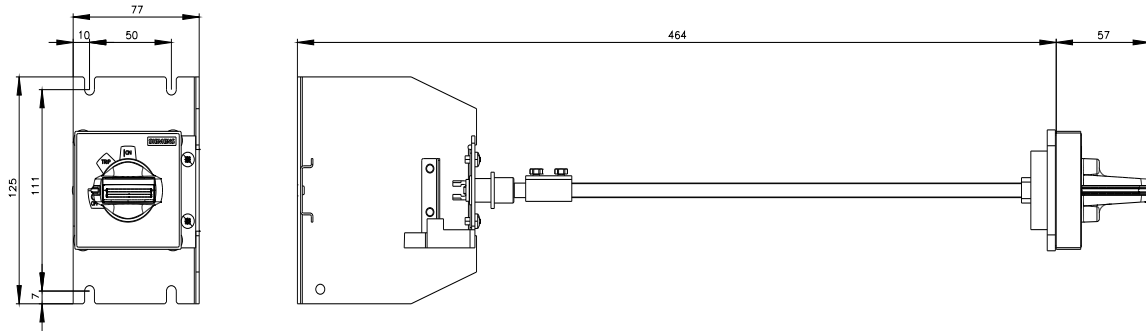
<http://support.automation.siemens.com/WW/CAXorder/default.aspx?lang=en&mlfb=3RV2926-3B>

Service&Support (Manuals, Certificates, Characteristics, FAQs,...)

<https://support.industry.siemens.com/cs/ww/en/ps/3RV2926-3B>

Image database (product images, 2D dimension drawings, 3D models, device circuit diagrams, EPLAN macros, ...)

http://www.automation.siemens.com/bilddb/cax_de.aspx?mlfb=3RV2926-3B&lang=en



last modified:

12/1/2021 