

I/O module - AXL SE AI4 I 4-20 - 1088062

Please be informed that the data shown in this PDF Document is generated from our Online Catalog. Please find the complete data in the user's documentation. Our General Terms of Use for Downloads are valid (<http://phoenixcontact.com/download>)



Axioline Smart Elements, Analog input module, Analog inputs: 4, 4 mA ... 20 mA, connection method: 2-conductor, degree of protection: IP20

Product Description

You can integrate Axioline Smart Elements into systems with the Smart Element interface. This Smart Element detects analog current signals.

Your advantages

- 4 analog input channels
- Connection of sensors in 2-conductor technology
- Current range: 4 mA ... 20 mA
- Data format: standardized representation
- Resolution: 12 bits
- Wire-break detection
- Device rating plate stored



Key Commercial Data

Packing unit	1 pc
GTIN	
GTIN	4055626887623
Weight per Piece (excluding packing)	35.000 g
Custom tariff number	85389091
Country of origin	Germany
Sales Key	DRIB41

Technical data

Note

Utilization restriction	EMC: class A product, see manufacturer's declaration in the download area
-------------------------	---

Dimensions

Caption	Dimensions
---------	------------

I/O module - AXL SE AI4 I 4-20 - 1088062

Technical data

Dimensions

Width	14.9 mm
Height	62.2 mm
Depth	62 mm

Ambient conditions

Ambient temperature (operation)	-25 °C ... 60 °C
Ambient temperature (storage/transport)	-40 °C ... 85 °C
Permissible humidity (operation)	5 % ... 95 % (non-condensing)
Permissible humidity (storage/transport)	5 % ... 95 % (non-condensing)
Air pressure (operation)	70 kPa ... 106 kPa (up to 3000 m above sea level)
Air pressure (storage/transport)	70 kPa ... 106 kPa (up to 3000 m above sea level)
Degree of protection	IP20

Connection data

Designation	I/O
Connection method	Push-in connection
Note on the connection method	Please observe the information provided on conductor cross sections in the "Axiline Smart Elements" user manual.
Conductor cross section solid min.	0.25 mm ²
Conductor cross section solid max.	1.5 mm ²
Conductor cross section flexible min.	0.25 mm ²
Conductor cross section flexible max.	1.5 mm ²
Conductor cross section AWG min.	24
Conductor cross section AWG max.	16
Stripping length	8 mm

General

Mounting type	Smart Element slot
Color	traffic grey A RAL 7042
Net weight	35 g
Degree of pollution	2 (EN 60664-1)
Mounting position	See the system in which the Smart Element is used.

Interfaces

Designation	Smart Element interface
Number	1
Connection method	Card edge connector
Transmission speed	See system in which you use the Smart Element.
Start time until ready to operate	< 1000 ms (after switching on the supply voltage (object 003D _{hex} : WakeUpTime))

Axiline potentials

Designation	Communications power supply of the Smart Elements (U _{SE})
Additional text	using card edge connectors

I/O module - AXL SE AI4 I 4-20 - 1088062

Technical data

Axioline potentials

Designation	I/O supply (U _P)
Supply voltage	24 V DC (using card edge connectors)
Supply voltage range	19.2 V DC ... 30 V DC (including all tolerances, including ripple)
Current consumption	min. 12 mA (without connected peripherals)
	typ. 15 mA
	max. 20 mA
Power consumption	min. 288 mW
	max. 480 mW
Protective circuit	Surge protection See the system in which the Smart Element is used.
	Reverse polarity protection Polarity protection diode
Protection	See the system in which the Smart Element is used.

Analog inputs

Description of the input	Single-ended inputs, current
Input name	Analog inputs
Number of inputs	4
Connection method	Push-in technology
Connection technology	2-conductor
Note regarding the connection technology	shielded, twisted pair
A/D converter resolution	12 bit
Type of protection	Transient protection
Data formats	Standardized representation
Measured value representation	16 bits
Current input signal	4 mA ... 20 mA
Input resistance current input	max. 60 Ω

Electrical isolation

Test section	Communications supply / 24 V supply (I/O) 500 V AC 50 Hz 1 min.
	Communications supply / functional ground 500 V AC 50 Hz 1 min.
	24 V supply (I/O)/functional ground 500 V AC 50 Hz 1 min.

Standards and Regulations

Immunity to ESD	Noise immunity test in accordance with EN 61000-6-2 Electrostatic discharge (ESD) EN 61000-4-2/IEC 61000-4-2 Criterion B, 6 kV contact discharge, 8 kV air discharge
Immunity to EF	Noise immunity test in accordance with EN 61000-6-2 Electromagnetic fields EN 61000-4-3/IEC 61000-4-3 Criterion A, Field intensity: 10 V/m
Immunity to burst	Noise immunity test in accordance with EN 61000-6-2 Fast transients (burst) EN 61000-4-4/IEC 61000-4-4 Criterion A, 2 kV
Immunity to surge	Noise immunity test in accordance with EN 61000-6-2 Transient overvoltage (surge) EN 61000-4-5/IEC 61000-4-5 Criterion B, shielded I/O cables: ±1 kV asymmetrical
Immunity to conducted interference	Noise immunity test in accordance with EN 61000-6-2 Conducted interference EN 61000-4-6/IEC 61000-4-6 Criterion A, Test voltage 10 V
Interference emission	Noise emission test as per EN 61000-6-4 Class A

I/O module - AXL SE AI4 I 4-20 - 1088062

Technical data

Standards and Regulations

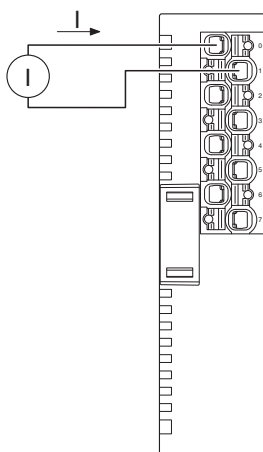
Mechanical tests	Vibration resistance in acc. with EN 60068-2-6/IEC 60068-2-6 5g
	Shock in acc. with EN 60068-2-27/IEC 60068-2-27 30g
	Continuous shock according to EN 60068-2-27/IEC 60068-2-27 10g
Protection class	III (IEC 61140, EN 61140, VDE 0140-1)
Overvoltage category	II (IEC 60664-1)

Environmental Product Compliance

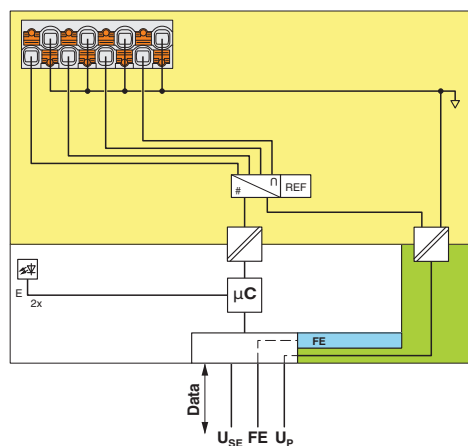
REACH SVHC	Lead 7439-92-1
China RoHS	Environmentally Friendly Use Period = 50 years
	For details about hazardous substances go to tab "Downloads", Category "Manufacturer's declaration"

Drawings

Connection diagram



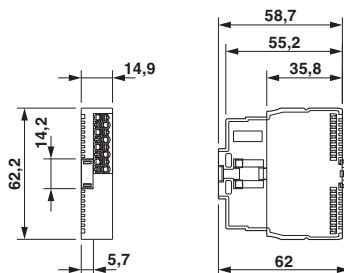
Block diagram



Internal wiring of the terminal points

Connection example

Dimensional drawing



Dimensions

I/O module - AXL SE AI4 I 4-20 - 1088062

Classifications

eCl@ss

eCl@ss 10.0.1	27242601
eCl@ss 11.0	27242601
eCl@ss 8.0	27242601
eCl@ss 9.0	27242601

ETIM

ETIM 5.0	EC001596
----------	----------

Approvals

Approvals

Approvals

UL Listed / cUL Listed

Ex Approvals

Approval details

UL Listed		http://database.ul.com/cgi-bin/XYV/template/LISEXT/1FRAME/index.htm	FILE E 238705
-----------	--	---	---------------

cUL Listed		http://database.ul.com/cgi-bin/XYV/template/LISEXT/1FRAME/index.htm	FILE E 238705
------------	--	---	---------------

Accessories

Accessories

Crimping tool

Crimping pliers - CRIMPFOX 6 - 1212034



Crimping pliers, for ferrules without insulating collar according to DIN 46228 Part 1 and ferrules with insulating collar according to DIN 46228 Part 4, 0.25 mm² ... 6.0 mm², lateral entry, trapezoidal crimp

I/O module - AXL SE AI4 I 4-20 - 1088062

Accessories

Crimping pliers - CRIMPFOX 6T - 1212037



Crimping pliers, for ferrules without insulating collar according to DIN 46228 Part 1 and ferrules with insulating collar according to DIN 46228 Part 4, 0.25 mm² ... 6 mm², lateral entry, trapezoidal crimp

Crimping pliers - CRIMPFOX 6T-F - 1212038



Crimping pliers, for ferrules without insulating collar according to DIN 46228 Part 1 and ferrules with insulating collar according to DIN 46228 Part 4, 0.25 mm² ... 6 mm², front entry, trapezoidal crimp

I/O component

Module carrier - AXL F BP SE4 - 1088135



Axioline F, Backplane, 4 slots for Axioline Smart Elements, transmission speed in the local bus: 100 Mbps, degree of protection: IP20

Module carrier - AXL F BP SE6 - 1088136



Axioline F, Backplane, 6 slots for Axioline Smart Elements, transmission speed in the local bus: 100 Mbps, degree of protection: IP20

Screwdriver tools

Screwdriver - SZS 0,4X2,5 VDE - 1205037



Screwdriver, slot-headed, VDE insulated, size: 0.4 x 2.5 x 80 mm, 2-component grip, with non-slip grip

Terminal marking

I/O module - AXL SE AI4 I 4-20 - 1088062

Accessories

Label - MM-TML (EX4,2)R C1 TR/BK - 0803979



Label, Roll, transparent, unlabeled, can be labeled with: THERMOFOX, THERMOMARK GO, THERMOMARK GO.K, mounting type: adhesive, for terminal block width: 8000 mm, lettering field size: continuous x 4.2#mm

Marker strip - SK 5,0 WH:REEL - 0805221



Marker strip, Roll, white, unlabeled, can be labeled with: THERMOMARK ROLL 2.0, THERMOMARK ROLL, THERMOMARK ROLL X1, THERMOMARK ROLLMASTER 300/600, THERMOMARK X1.2, mounting type: adhesive, for terminal block width: 5 mm, lettering field size: continuous x 5#mm, Number of individual labels: 90000

Marker for terminal blocks - UM6M-TM (5X12) - 0830928



Markers for marking terminal blocks from ABB/Entelec, 24-section, unmarked, can be marked with THERMOMARK CARD and BLUEMARK, color: white

Marker for terminal blocks from the SNK series from ABB - UCT6M-TM 5 - 0830756



Marker for terminal blocks from the SNK series from ABB, Sheet, white, unlabeled, can be labeled with: THERMOMARK CARD, THERMOMARK CARD 2.0, THERMOMARK PRIME, BLUEMARK ID, BLUEMARK ID COLOR, TOPMARK LASER, TOPMARK NEO, mounting type: snap into tall marker groove, for terminal block width: 5.2 mm, lettering field size: 4.17 x 11.3 mm