

## Module carrier - AXL F BP SE4 - 1088135

Please be informed that the data shown in this PDF Document is generated from our Online Catalog. Please find the complete data in the user's documentation. Our General Terms of Use for Downloads are valid (<http://phoenixcontact.com/download>)

Axiline F, Backplane, 4 slots for Axiline Smart Elements, transmission speed in the local bus: 100 Mbps, degree of protection: IP20



### Product Description


The Axiline F backplane is intended for use in a station that is opened by an Axiline F bus coupler or an Axioccontrol. The backplane has four "Smart Element Interface" slots to accept Axiline Smart Elements.

### Your advantages

- 4 slots for Axiline Smart Elements
- Preparing the communications power supply for the plugged-in Axiline Smart Elements
- Supply feed-in for the peripheral supply  $U_p$  for the plugged in Axiline Smart Elements



### Key Commercial Data

Packing unit	1 pc
GTIN	 4 055626 887487
GTIN	4055626887487
Weight per Piece (excluding packing)	87.000 g
Custom tariff number	85389091
Country of origin	Germany
Sales Key	DRIBU1

### Technical data

#### Note

Utilization restriction	EMC: class A product, see manufacturer's declaration in the download area
-------------------------	---

#### Dimensions

Caption	Dimensions (in mm)
Width	40 mm
Height	122.4 mm

# Module carrier - AXL F BP SE4 - 1088135

## Technical data

### Dimensions

Depth	36.9 mm
Note on dimensions	The depth is valid when a TH 35-7,5 DIN rail is used (according to EN 60715).
Complete module width	40 mm
Complete module height	124.6 mm
Complete module depth	76.1 mm
Note on dimensions	The depth is valid when a TH 35-7,5 DIN rail is used (according to EN 60715).

### Ambient conditions

Ambient temperature (operation)	-25 °C ... 60 °C
Ambient temperature (storage/transport)	-40 °C ... 85 °C
Permissible humidity (operation)	5 % ... 95 % (non-condensing)
Permissible humidity (storage/transport)	5 % ... 95 % (non-condensing)
Air pressure (operation)	70 kPa ... 106 kPa (up to 3000 m above sea level)
Air pressure (storage/transport)	70 kPa ... 106 kPa (up to 3000 m above sea level)
Degree of protection	IP20

### General

Mounting type	DIN rail
Color	traffic grey A RAL 7042
Net weight	87 g
Degree of pollution	2 (EN 60664-1)
Mounting position	Wall mounting on horizontal or vertical DIN rail

### Interfaces

Designation	Axiline F local bus
Number	2
Connection method	Bus base module
Transmission speed	100 Mbps
Designation	Smart Element interface
Number	4
Connection method	Card edge connector

### Axiline potentials

Designation	Axiline F local bus supply ( $U_{Bus}$ )
Supply voltage	5 V DC
Designation	Communications power supply of the Smart Elements ( $U_{SE}$ )
Additional text	using card edge connectors
Designation	I/O supply feed-in ( $U_P$ )
Supply voltage	24 V DC
Supply voltage range	19.2 V DC ... 30 V DC (including all tolerances, including ripple)
Current consumption	min. 1.5 mA (without connected Smart Elements, with nominal voltage)

# Module carrier - AXL F BP SE4 - 1088135

## Technical data

### Axioline potentials

	max. 16 A (provide external protection)
	max. 12 A (Applications with UL approval, external fusing)
Power consumption	max. 480 W
	max. 360 W (Applications with UL approval)
Protective circuit	Surge protection Suppressor diode
Protection	max. 16 A
	max. 12 A (Applications with UL approval)

### Electrical isolation

Test section	5 V supply of the local bus ( $U_{Bus}$ ) / 24 V supply (I/Os) 500 V AC 50 Hz 1 min.
	5 V supply of the local bus ( $U_{Bus}$ ) / functional ground 500 V AC 50 Hz 1 min.
	24 V supply (I/O)/functional ground 500 V AC 50 Hz 1 min.

### Standards and Regulations

Immunity to ESD	Noise immunity test in accordance with EN 61000-6-2 Electrostatic discharge (ESD) EN 61000-4-2/IEC 61000-4-2 Criterion B, 6 kV contact discharge, 8 kV air discharge
Immunity to EF	Noise immunity test in accordance with EN 61000-6-2 Electromagnetic fields EN 61000-4-3/IEC 61000-4-3 Criterion A, Field intensity: 10 V/m
Immunity to burst	Noise immunity test in accordance with EN 61000-6-2 Fast transients (burst) EN 61000-4-4/IEC 61000-4-4 Criterion B, 2 kV
Immunity to surge	Noise immunity test in accordance with EN 61000-6-2 Transient overvoltage (surge) EN 61000-4-5/IEC 61000-4-5 Criterion B, DC supply lines: $\pm 0.5$ kV/ $\pm 0.5$ kV (symmetrical/asymmetrical)
Immunity to conducted interference	Noise immunity test in accordance with EN 61000-6-2 Conducted interference EN 61000-4-6/IEC 61000-4-6 Criterion A, Test voltage 10 V
Interference emission	Noise emission test as per EN 61000-6-4 Class A
Mechanical tests	Vibration resistance in acc. with EN 60068-2-6/IEC 60068-2-6 5g
	Shock in acc. with EN 60068-2-27/IEC 60068-2-27 30g
	Continuous shock according to EN 60068-2-27/IEC 60068-2-27 10g
Protection class	III (IEC 61140, EN 61140, VDE 0140-1)
Overvoltage category	II (IEC 60664-1)

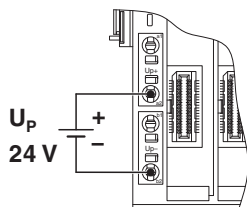
### Environmental Product Compliance

REACH SVHC	Lead 7439-92-1
China RoHS	Environmentally Friendly Use Period = 50 years
	For details about hazardous substances go to tab "Downloads", Category "Manufacturer's declaration"

## Drawings

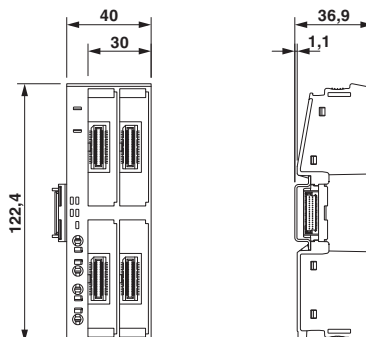
# Module carrier - AXL F BP SE4 - 1088135

Connection diagram



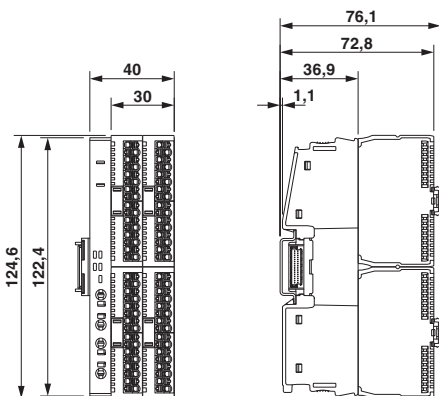
Connection example

Dimensional drawing



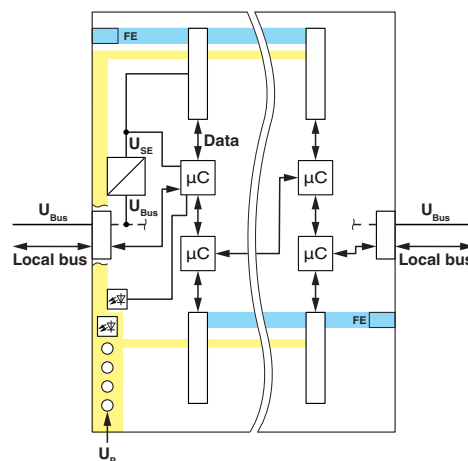
Dimensions (in mm)

Dimensional drawing



Dimensions (in mm) with attached Axioline Smart Elements

Block diagram



Basic circuit diagram

## Classifications

eCI@ss

eCI@ss 10.0.1	27141152
eCI@ss 11.0	27141152
eCI@ss 8.0	27141152
eCI@ss 9.0	27141152

ETIM

ETIM 5.0	EC002780
----------	----------

## Approvals

Approvals

# Module carrier - AXL F BP SE4 - 1088135

## Approvals

---

Approvals

UL Listed / cUL Listed

---

Ex Approvals

---

## Approval details

UL Listed		<a href="http://database.ul.com/cgi-bin/XYV/template/LISEXT/1FRAME/index.htm">http://database.ul.com/cgi-bin/XYV/template/LISEXT/1FRAME/index.htm</a>	FILE E 238705
-----------	--	---	---------------

cUL Listed		<a href="http://database.ul.com/cgi-bin/XYV/template/LISEXT/1FRAME/index.htm">http://database.ul.com/cgi-bin/XYV/template/LISEXT/1FRAME/index.htm</a>	FILE E 238705
------------	--	---	---------------

## Accessories

Accessories

Cover

Cover - AXL SE SC - 1167159



Axioline Smart Elements, Slot cover, degree of protection: IP20

---

End block

End clamp - CLIPFIX 35 - 3022218



Quick mounting end clamp for NS 35/7,5 DIN rail or NS 35/15 DIN rail, with marking option, width: 9.5 mm, color: gray

---

## Module carrier - AXL F BP SE4 - 1088135

### Accessories

End clamp - E/AL-NS 35 - 1201662



End clamp, for end support of UKH 50 to UKH 240, is pushed onto DIN rail NS 35 and fixed with 2 screws, width: 10 mm, color: aluminum

---

### I/O component

Cover - AXL SE SC-A - 1088134



Axioline Smart Elements, Slot cover, Diagnostic function, degree of protection: IP20

---

### Shield connection

Shield connection - AXL SHIELD SET - 2700518



Axioline shield connection set (contains 2 shield bus holders and 2 SK 5 shield connection clamps)

---

### Terminal marking

Label - MM-TML (EX4,2)R C1 TR/BK - 0803979



Label, Roll, transparent, unlabeled, can be labeled with: THERMOFOX, THERMOMARK GO, THERMOMARK GO.K, mounting type: adhesive, for terminal block width: 8000 mm, lettering field size: continuous x 4.2#mm

Marker strip - SK 5,0 WH:REEL - 0805221



Marker strip, Roll, white, unlabeled, can be labeled with: THERMOMARK ROLL 2.0, THERMOMARK ROLL, THERMOMARK ROLL X1, THERMOMARK ROLLMASTER 300/600, THERMOMARK X1.2, mounting type: adhesive, for terminal block width: 5 mm, lettering field size: continuous x 5#mm, Number of individual labels: 90000

## Module carrier - AXL F BP SE4 - 1088135

### Accessories

#### Marker for terminal blocks - UM6M-TM (5X12) - 0830928

Markers for marking terminal blocks from ABB/Entelec, 24-section, unmarked, can be marked with THERMOMARK CARD and BLUEMARK, color: white



---

#### Marker for terminal blocks from the SNK series from ABB - UCT6M-TM 5 - 0830756

Marker for terminal blocks from the SNK series from ABB, Sheet, white, unlabeled, can be labeled with: THERMOMARK CARD, THERMOMARK CARD 2.0, THERMOMARK PRIME, BLUEMARK ID, BLUEMARK ID COLOR, TOPMARK LASER, TOPMARK NEO, mounting type: snap into tall marker groove, for terminal block width: 5.2 mm, lettering field size: 4.17 x 11.3 mm

