

Communication module - AXL F MA DALI2 1H - 2702864

Please be informed that the data shown in this PDF Document is generated from our Online Catalog. Please find the complete data in the user's documentation. Our General Terms of Use for Downloads are valid (<http://phoenixcontact.com/download>)



Axioline F, DALI master, two channels, integrated DALI power supply unit, transmission speed in the local bus: 100 Mbps, degree of protection: IP20, including bus base module and Axioline F connectors


Product Description

The module is designed for use within an Axioline F station. The 2-channel DALI master enables communication with two DALI networks including their bus power supply with up to 230 mA each.

Your advantages

- DALI master with integrated DALI bus supply
- Suitable for single master operation
- Electrical isolation of the DALI bus
- DALI bus protected against unintentional connection of mains voltage (up to 250 V AC)
- Device rating plate stored

Key Commercial Data

Packing unit	1 pc
GTIN	 4 055626 463360
GTIN	4055626463360
Weight per Piece (excluding packing)	190.500 g
Custom tariff number	85389091
Country of origin	Germany

Technical data

Dimensions

Width	35 mm
Height	126.1 mm
Depth	54 mm
Note on dimensions	The depth is valid when a TH 35-7,5 DIN rail is used (according to EN 60715).

Ambient conditions

Ambient temperature (operation)	-25 °C ... 60 °C
Ambient temperature (storage/transport)	-40 °C ... 85 °C

Communication module - AXL F MA DALI2 1H - 2702864

Technical data

Ambient conditions

Permissible humidity (operation)	5 % ... 95 % (non-condensing)
Permissible humidity (storage/transport)	5 % ... 95 % (non-condensing)
Air pressure (operation)	70 kPa ... 106 kPa (up to 3000 m above sea level)
Air pressure (storage/transport)	70 kPa ... 106 kPa (up to 3000 m above sea level)
Degree of protection	IP20

General

Mounting type	DIN rail
Color	traffic grey A RAL 7042
Net weight	190.5 g
Note on weight specifications	with connectors and bus base module
Mounting position	any (no temperature derating)

Interfaces

Designation	DALI
No. of channels	2
Connection method	Push-in connection
Note	The data apply for DALI bus 1 and DALI bus 2, respectively.
Connection method	Push-in connection
No. of channels	2 (DALI 1, DALI 2)
Supply voltage	typ. 16 V DC (Bus voltage)
Output current	230 mA (guaranteed)
Current carrying capacity	max. 195 mA (Bus load)
Output current with short-circuit	max. 250 mA
Transmission speed	1200 bps
Type of protection	Bus protected up to 250 V AC, maximum
Designation	Axiline F local bus
Connection method	Bus base module
Transmission speed	100 Mbps

Axiline potentials

Designation	Axiline F local bus supply (U_{Bus})
Supply voltage	5 V DC (via bus base module)
Current consumption	max. 65 mA
Power consumption	max. 325 mW
Designation	Supply voltage input U_i
Supply voltage	24 V DC
Supply voltage range	19.2 V DC ... 30 V DC (including all tolerances, including ripple)
Current consumption	typ. 250 mA
	max. 370 mA (at nominal voltage)
Power consumption	max. 8.8 W (Both channels loaded with 195 mA)
Protective circuit	Surge protection of the supply voltage electronic (35 V, 0.5 s)

Communication module - AXL F MA DALI2 1H - 2702864

Technical data

Axioline potentials

	Polarity reversal protection of the supply voltage parallel diode; with external 5 A fuse
	Transient protection supply voltage Suppressor diode
Protection	max. 8 A (polarity reversal protection up to 5 A)

Electrical isolation

Test section	5 V supply of the local bus (U_{Bus}) / 24 V supply (I/Os) 500 V AC 50 Hz 1 min.
	5 V supply of the local bus (U_{Bus}) / functional ground 500 V AC 50 Hz 1 min.
	24 V supply (I/O) / functional earth ground 500 V AC 50 Hz 1 min.
	DALI 1 / DALI 2 500 V AC 50 Hz 1 min.
	DALI / 5 V supply of the local bus (U_{Bus}) 1.5 kV AC 50 Hz 1 min. 2.5 kV AC rated surge voltage (for additional isolation in accordance with EN 61010-2-201/IEC 61010-2-201)
	DALI/24 V supply (periphery) 1.5 kV AC 50 Hz 1 min. 2.5 kV AC rated surge voltage (for additional isolation in accordance with EN 61010-2-201/IEC 61010-2-201)
	DALI/functional earth ground 1.5 kV AC 50 Hz 1 min. 2.5 kV AC rated surge voltage (for additional isolation in accordance with EN 61010-2-201/IEC 61010-2-201)

Standards and Regulations

Mechanical tests	Vibration resistance in acc. with EN 60068-2-6/IEC 60068-2-6 5g
	Shock in acc. with EN 60068-2-27/IEC 60068-2-27 30g
	Continuous shock according to EN 60068-2-27/IEC 60068-2-27 10g
Protection class	III (IEC 61140, EN 61140, VDE 0140-1)

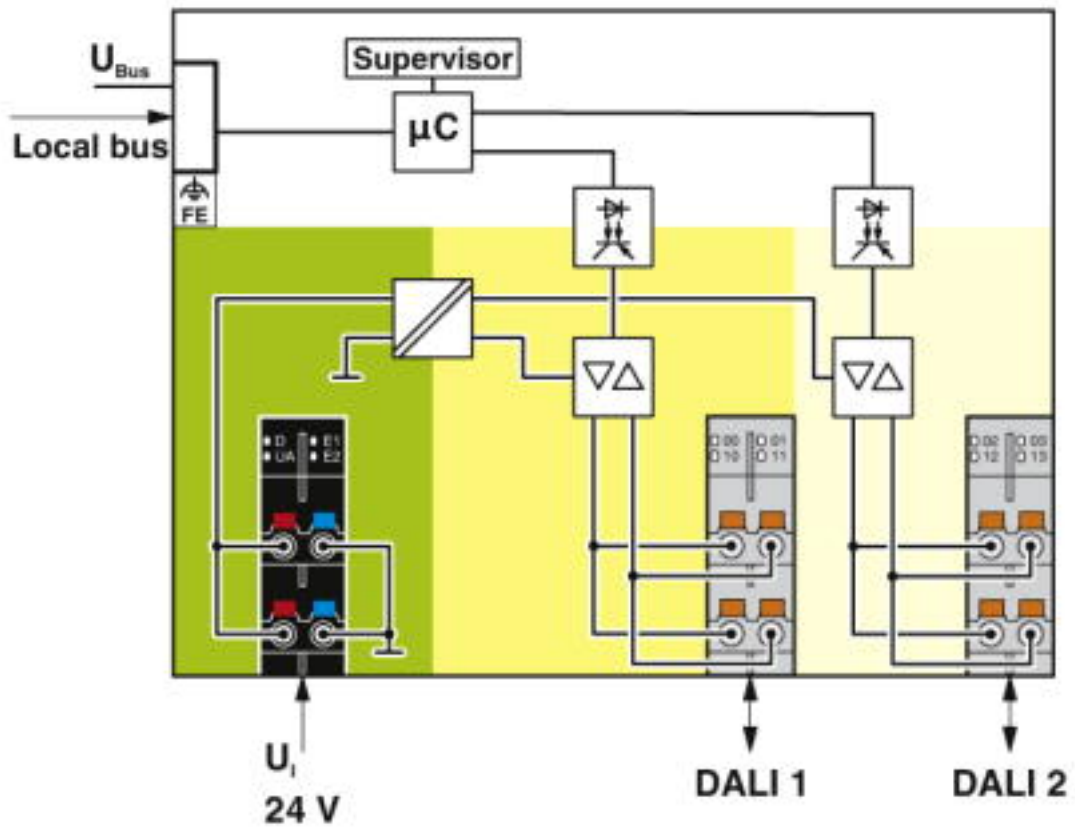
Environmental Product Compliance

REACH SVHC	Lead 7439-92-1
China RoHS	Environmentally Friendly Use Period = 50 years
	For details about hazardous substances go to tab "Downloads", Category "Manufacturer's declaration"

Drawings

Communication module - AXL F MA DALI2 1H - 2702864

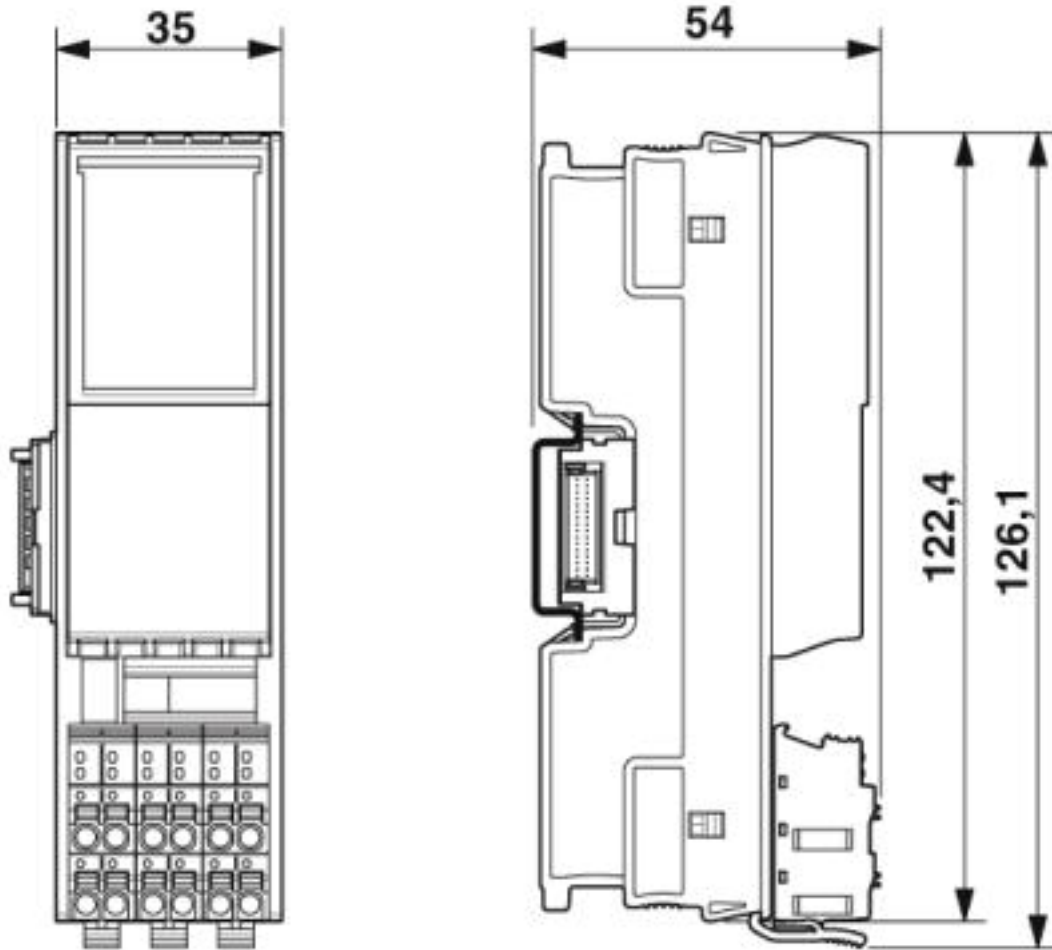
Block diagram



Internal wiring of the terminal points

Communication module - AXL F MA DALI2 1H - 2702864

Dimensional drawing



Classifications

eCl@ss

eCl@ss 4.0	27250203
eCl@ss 4.1	27250203
eCl@ss 5.0	27250203
eCl@ss 5.1	27242608
eCl@ss 6.0	27242600
eCl@ss 7.0	27242608
eCl@ss 8.0	27242608
eCl@ss 9.0	27242608

ETIM

ETIM 2.0	EC001434
ETIM 3.0	EC001604
ETIM 4.0	EC001601

Communication module - AXL F MA DALI2 1H - 2702864

Classifications

ETIM

ETIM 5.0	EC001604
ETIM 6.0	EC001604
ETIM 7.0	EC001604

UNSPSC

UNSPSC 6.01	43172015
UNSPSC 7.0901	43201404
UNSPSC 11	43172015
UNSPSC 12.01	43201404
UNSPSC 13.2	32151602
UNSPSC 18.0	32151602
UNSPSC 19.0	32151602
UNSPSC 20.0	32151602
UNSPSC 21.0	32151602

Accessories

Accessories

Device marking

Insert label - EMT (35X28)R - 0801602



Insert label, Roll, white, unlabeled, can be labeled with: THERMOMARK ROLLMASTER 300/600, THERMOMARK X1.2, THERMOMARK ROLL X1, THERMOMARK ROLL 2.0, THERMOMARK ROLL, mounting type: snapped into marker carrier, lettering field size: 35 x 28 mm, Number of individual labels: 500

DIN rail connector

Bus connector - AXL F BS H - 2700992



Axioline F bus base module for housing type H

Terminal marking

Communication module - AXL F MA DALI2 1H - 2702864

Accessories

Zack marker strip - ZB 20,3 AXL UNPRINTED - 0829579



Zack marker strip for Axioline F (device labeling), in 2 x 20.3 mm pitch, unprinted, 25-section, for individual labeling with B-STIFT 0.8, X-PEN, or CMS-P1-PLOTTER

Zack Marker strip, flat - ZBF 10/5,8 AXL UNPRINTED - 0829580



Zack Marker strip, flat, Strip, white, unlabeled, can be labeled with: PLOTMARK, CMS-P1-PLOTTER, mounting type: snap into flat marker groove, for terminal block width: 10.15 mm, lettering field size: 4 of 10.15 x 5 mm and 1 of 5.8 x 5 mm, Number of individual labels: 50
