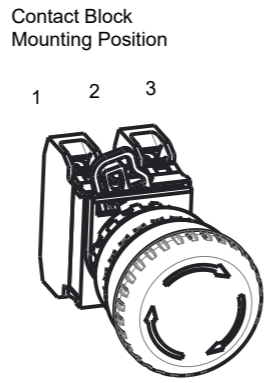
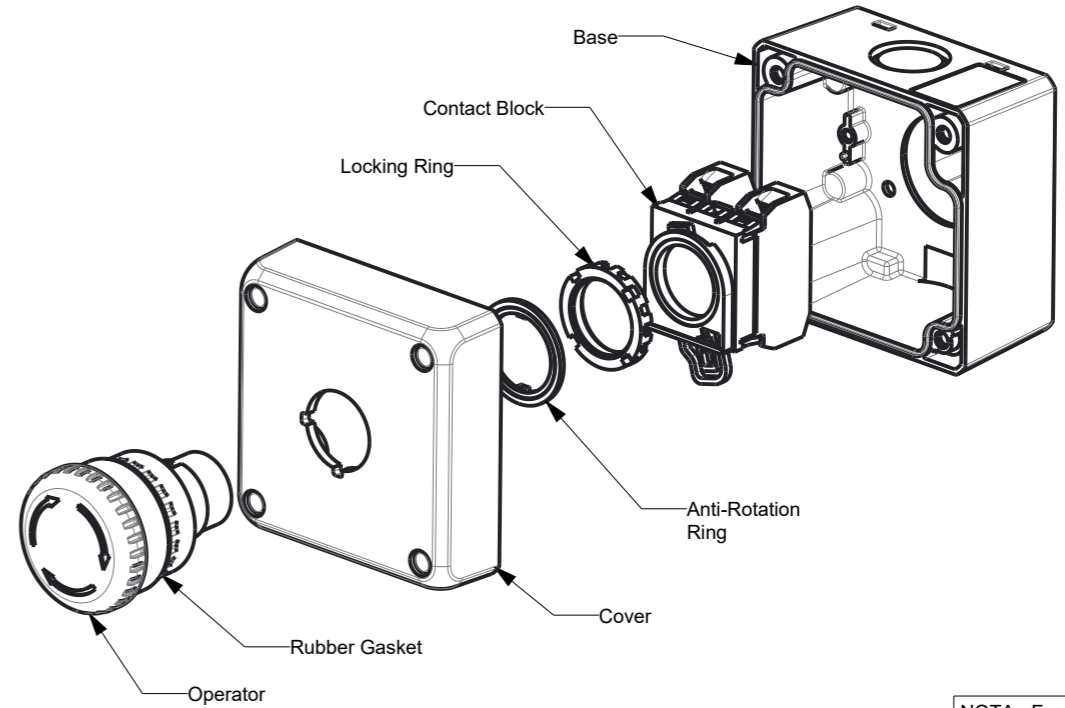
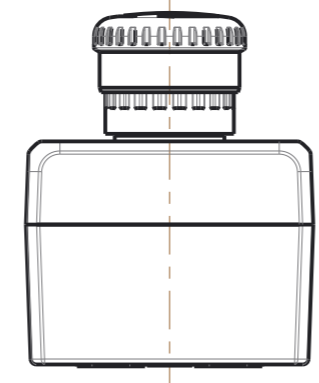
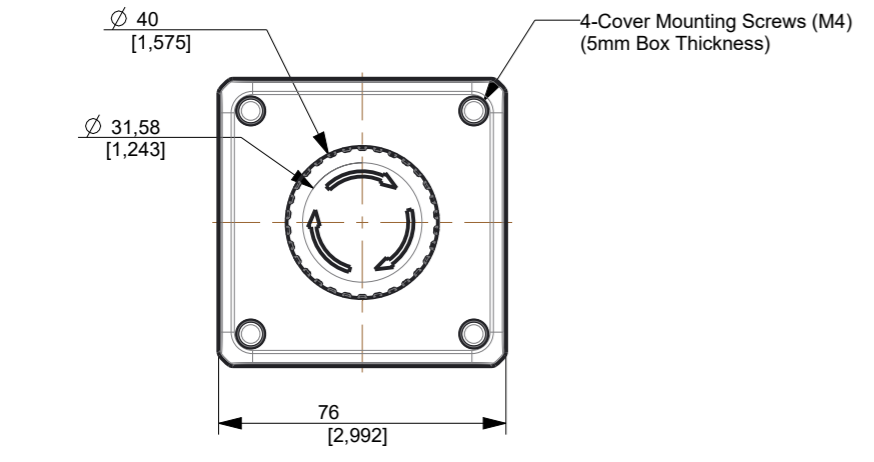
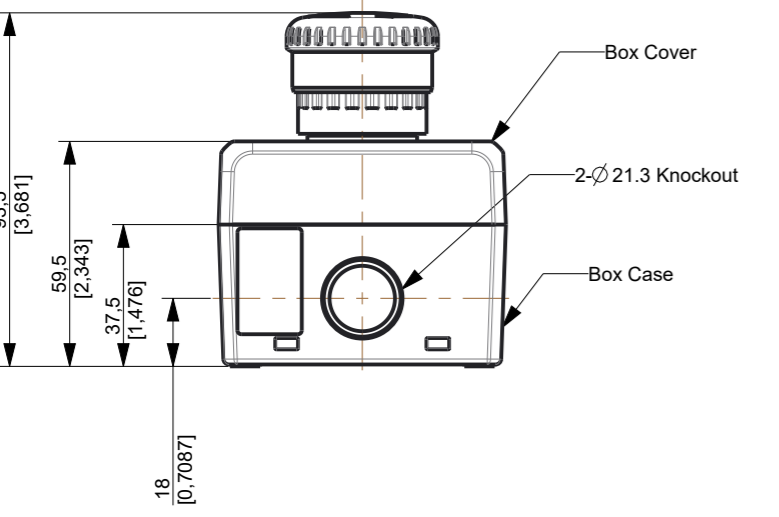
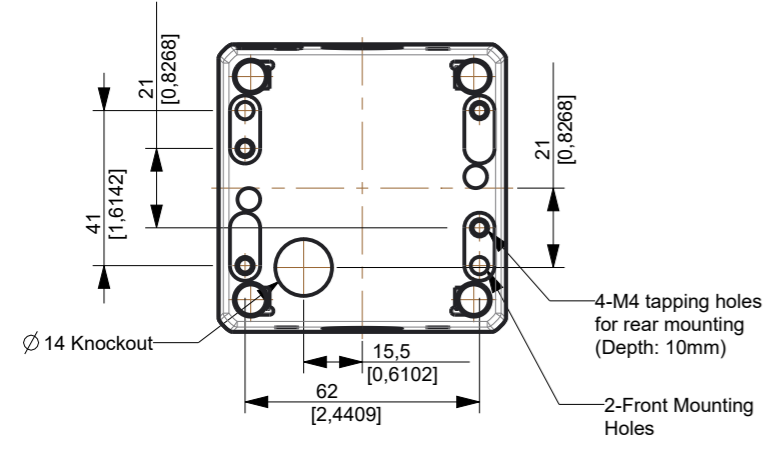


GENERAL TOLERANCE: ± 0.3 (0.012)

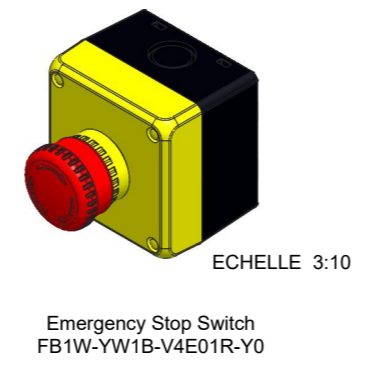


Specification	Switch Part No.	Legend Contact Configuration	Contact Block Mounting position			<Without nameplate> Ordering Part No.	* Operating Voltage Code
			1	2	3		
YW Non-illuminated Emergency Stop Switches (Pushlock Pull/Turn Reset)	YW1B-V4E	1NC	-	-	NC	FB1W-YW1B-V4E01R-Y0	N/A
		2NC	NC	-	NC	FB1W-YW1B-V4E02R-Y0	
		3NC	NC	NC	NC	FB1W-YW1B-V4E03R-Y0	
		1NO-1NC	NO	-	NC	FB1W-YW1B-V4E11R-Y0	
		1NO-2NC	NO	NC	NC	FB1W-YW1B-V4E12R-Y0	
		2NO-1NC	NO	NC	NO	FB1W-YW1B-V4E21R-Y0	
YW illuminated Emergency Stop Switches : Without Lamp	YW1L-V4E_Q0R	1NC	-	FA	NC	FB1W-YW1L-V4E01Q0R-Y0	0: without lamp, 250V AC/DC max.
		2NC	NC	FA	NC	FB1W-YW1L-V4E02Q0R-Y0	
		1NO-1NC	NO	FA	NC	FB1W-YW1L-V4E11Q0R-Y0	
YW illuminated Emergency Stop Switches : LED	YW1L-V4E_Q*R	1NC	-	FA	NC	FB1W-YW1L-V4E01Q*R-Y0	2: 6V AC/DC 3: 12V AC/DC 4: 24V AC/DC H: 110V AC/DC M3: 230/240V AC/DC
		2NC	NC	FA	NC	FB1W-YW1L-V4E02Q*R-Y0	
		1NO-1NC	NO	FA	NC	FB1W-YW1L-V4E11Q*R-Y0	

NOTA : FA = Full Voltage adapter



NOTA : For more informations, please see IDEC's website : [apem-idec.eu](http://apem-idec.eu)



-	-	MATERIAL:	 55, av. E. HERRIOT BP 1 82303 CAUSSADE CEDEX Tél. 05.63.93.14.98 - Télécopie. 05.63.93.19.03	DRAWN: Pierre Baudime
-	-	VOLUME : 168470,151mm <sup>3</sup> SURFACE: 93240,550mm <sup>2</sup>		DATE: 08/04/2019
-	-	TREATMENT:		CHECKED: JF.GIBERT
-	-	FINISH:		SERIES: FB
-	-	Scale: 1:2	REF: DFB003	SHEET: 1 / 1
B	Codif série D19FB001->DFB003, ref désignation devient ref générique FB Box + YW (1 trou)	13/04 2021	P.BA	B
A	Diffusion plan suite OP-007614	08/04 2019	P.BA	Study
Issue	MODIFICATIONS	DATE	NAME	DFB003

Emergency Pushbutton  
FB1W-YW1\_V4E\_R-Y0