



Position switch Plastic enclosure, 31 mm according to EN 50047 1 NO/1 NC quick action contacts with M12 connector, 5-pole, fixed 2x LED yellow/green 24 V DC Teflon plunger Pin assignment: Pin1=21, Pin2=22 Pin3=13 and LED green, Pin4=14 and LED yellow, Pin5=ground LED

product brand name	SIRIUS
product designation	Mechanical position switches
product type designation	3SE5
manufacturer's article number	
<ul style="list-style-type: none"> <li>• of the supplied basic switch</li> <li>• of the supplied switching contacts</li> </ul>	<a href="#">3SE5234-1CC05-1AF3</a> <a href="#">3SE5000-0CA00</a>
suitability for use safety switch	Yes

General technical data	
product function	
<ul style="list-style-type: none"> <li>• positive opening</li> </ul>	Yes
insulation voltage	
<ul style="list-style-type: none"> <li>• rated value</li> </ul>	125 V
degree of pollution	class 3
surge voltage resistance rated value	0.8 kV
protection class IP	IP65
shock resistance	
<ul style="list-style-type: none"> <li>• acc. to IEC 60068-2-27</li> </ul>	30g / 11 ms
vibration resistance	
<ul style="list-style-type: none"> <li>• acc. to IEC 60068-2-6</li> </ul>	0.35 mm/5g

<b>mechanical service life (switching cycles)</b>	
• typical	15 000 000
<b>Electrical operating cycles in one hour with contactor 3RH11, 3RT1016, 3RT1017, 3RT1024, 3RT1025, 3RT1026</b>	6 000
<b>thermal current</b>	4 A
<b>material of the enclosure of the switch head</b>	plastic
<b>reference code acc. to DIN EN 81346-2</b>	B
<b>continuous current of the C characteristic MCB</b>	1 A; for a short-circuit current smaller than 400 A
<b>continuous current of the quick DIAZED fuse link</b>	4 A; for a short-circuit current smaller than 400 A
<b>continuous current of the DIAZED fuse link gG</b>	4 A
<b>active principle</b>	mechanical
<b>repeat accuracy</b>	0.05 mm
<b>minimum actuating force in activation direction</b>	20 N
<b>length of the sensor</b>	75.7 mm
<b>width of the sensor</b>	31 mm
<b>design of the switching contact</b>	mechanical
<b>operating frequency rated value</b>	50 ... 60 Hz
<b>number of NC contacts for auxiliary contacts</b>	1
<b>number of NO contacts for auxiliary contacts</b>	1
<b>operating current at DC-13</b>	
• at 24 V rated value	3 A
<b>design of the interface for safety-related communication</b>	without

#### Enclosure

<b>design of the housing</b>	block, narrow
<b>material of the enclosure</b>	plastic
<b>coating of the enclosure</b>	Other types
<b>design of the housing acc. to standard</b>	Yes

#### Drive Head

<b>design of the operating mechanism</b>	Rounded plunger, Teflon plunger
<b>standard-compliant actuator head</b>	EN 50047, design B
<b>shape of the switch head</b>	rounded
<b>design of the switching function</b>	positive opening
<b>circuit principle</b>	snap-action contacts
<b>number of switching contacts safety-related</b>	1

#### Connections/ Terminals

<b>type of electrical connection</b>	M12 plug, fixed
<b>cable entry type</b>	M12 plug
<b>design of plug-in connection</b>	M12 plug, 5-pole: Pin 1 = terminal 21, Pin 2 = 22, Pin 3 = 13, Pin 4 = 14, Pin 5 = ground LED

#### Communication/ Protocol

design of the interface	without
-------------------------	---------

### Ambient conditions

explosion protection category for dust	none
--	------

### Supply voltage

type of voltage of the supply voltage	DC
• of the optional LED indicator	
supply voltage	24 V
• of LED	

### Installation/ mounting/ dimensions

mounting position	any
• mounting type	screw fixing

### Certificates/ approvals

General Product Approval	Functional Safety/Safety of Machinery	Declaration of Conformity
 CCC	 UL	 EG-Konf.
 CSA		<a href="#">Type Examination Certificate</a>

Declaration of Conformity	Test Certificates	other
<a href="#">Miscellaneous</a>	<a href="#">Type Test Certificates/Test Report</a>	<a href="#">Confirmation</a>

### Further information

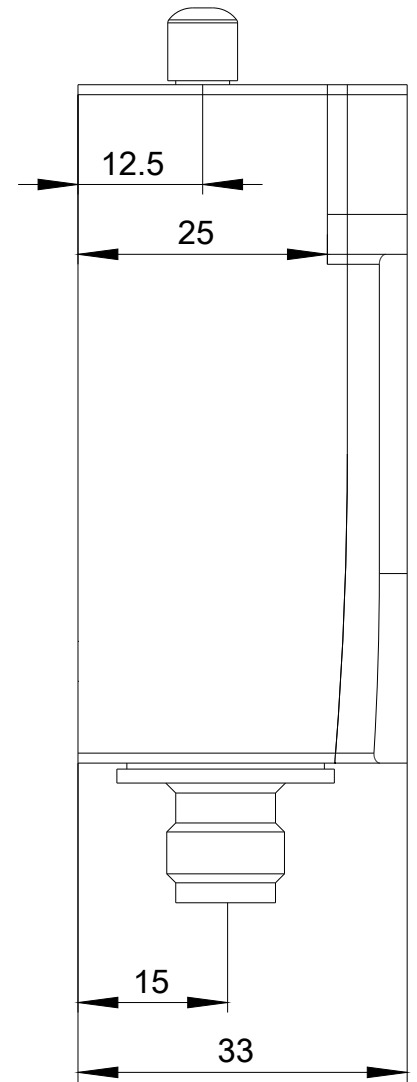
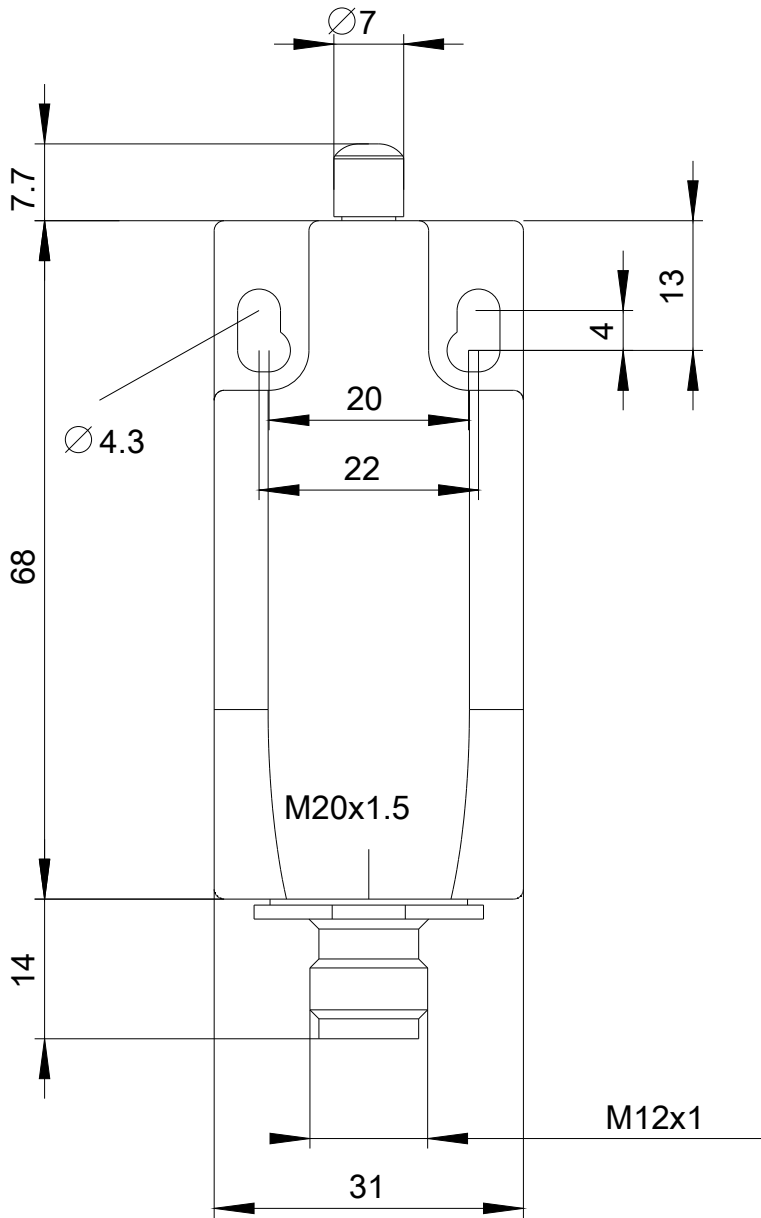
**Information- and Downloadcenter (Catalogs, Brochures,...)**  
<https://www.siemens.com/ic10>

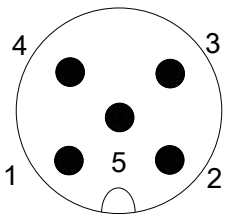
**Industry Mall (Online ordering system)**  
<https://mall.industry.siemens.com/mall/en/en/Catalog/product?mlfb=3SE5234-1CC05-1AF3>

**Cax online generator**  
<http://support.automation.siemens.com/WW/CAXorder/default.aspx?lang=en&mlfb=3SE5234-1CC05-1AF3>

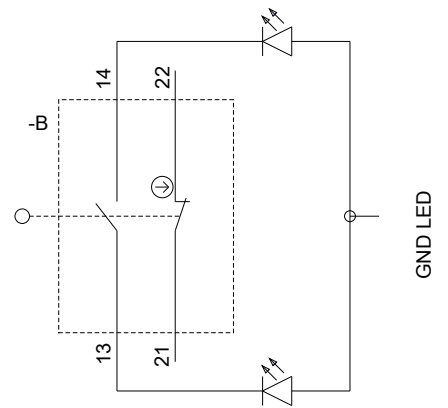
**Service&Support (Manuals, Certificates, Characteristics, FAQs,...)**  
<https://support.industry.siemens.com/cs/ww/en/ps/3SE5234-1CC05-1AF3>

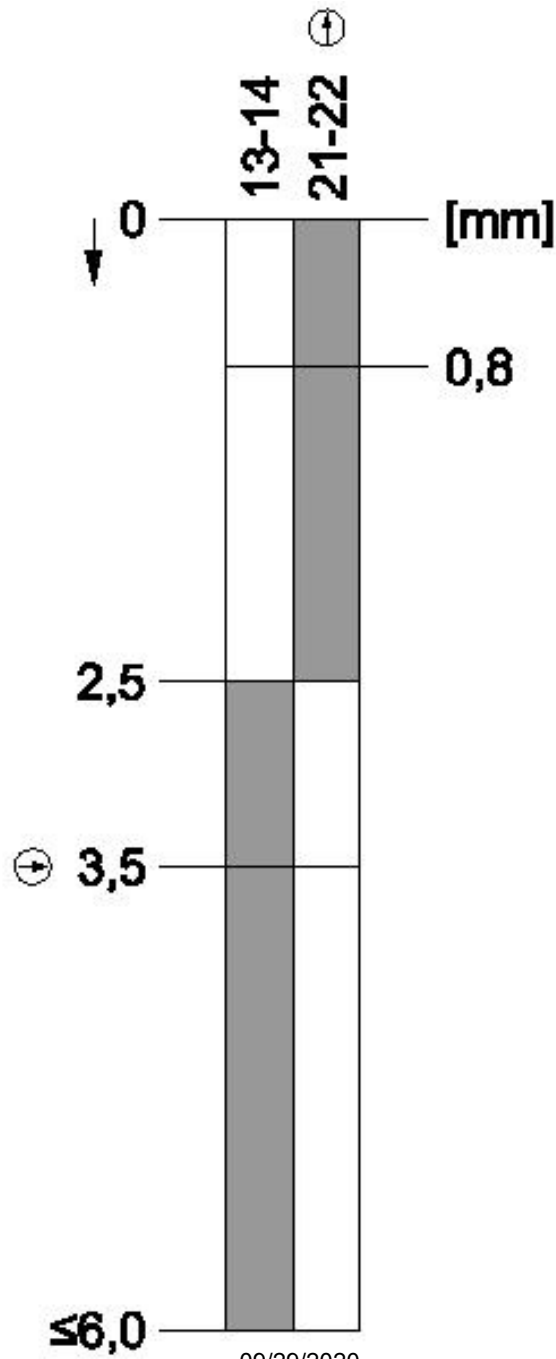
**Image database (product images, 2D dimension drawings, 3D models, device circuit diagrams, EPLAN macros, ...)**  
[http://www.automation.siemens.com/bilddb/cax\\_de.aspx?mlfb=3SE5234-1CC05-1AF3&lang=en](http://www.automation.siemens.com/bilddb/cax_de.aspx?mlfb=3SE5234-1CC05-1AF3&lang=en)





1	BN = Brown	→	21
2	WH = White	→	22
3	BU = Blue	→	13+LED-Green
4	BK = Black	→	14+LED-Yellow
5	GY = Grey	→	GND LED





last modified:

09/29/2020