



AS-Interface Addressing unit V3.0 for setting the addresses of AS-i slave modules Input/output test and further functions AS-i specification V3.0 M12 connection socket with addressing cable 1.5 m (M12 connector/hollow plug) with batteries (4 x 1.5 V LR6) Addressing of user modules via accessory 3RK1901-1MA00

General technical data		
Design of the product		AS-Interface addressing unit
Power supply		is provided by 4 batteries according to IEC LR6 (NEDA 15), which guarantee that the unit can perform at least 2500 device addressings. For a longer battery life the unit is switched off automatically approx. 1 minute after the last operation
rated operational current I _e	mA	150
Other information		storage temperature without batteries
Ambient conditions		
environmental conditions Relative humidity		max. 75 %, condensation not permitted
Ambient temperature		
• during operation	°C	0 ... 55
• during storage	°C	-20 ... +55
degree of protection		
• device		IP50
• connection socket		IP20
Conditions of application		only in indoor rooms

Mechanical data

Width	mm	84
Height	mm	195
Depth	mm	35
connection		via M12 socket: Pin1=AS-i+; Pin3=AS-i-

Certificates/ approvals

General Product Approval	EMC	Declaration of Conformity	Shipping Approval
--------------------------	-----	---------------------------	-------------------



[Miscellaneous](#)



Shipping Approval

other

[Confirmation](#)



Further information

Information- and Downloadcenter (Catalogs, Brochures,...)

<https://www.siemens.com/ic10>

Industry Mall (Online ordering system)

<https://mall.industry.siemens.com/mall/en/en/Catalog/product?mlfb=3RK1904-2AB02>

Cax online generator

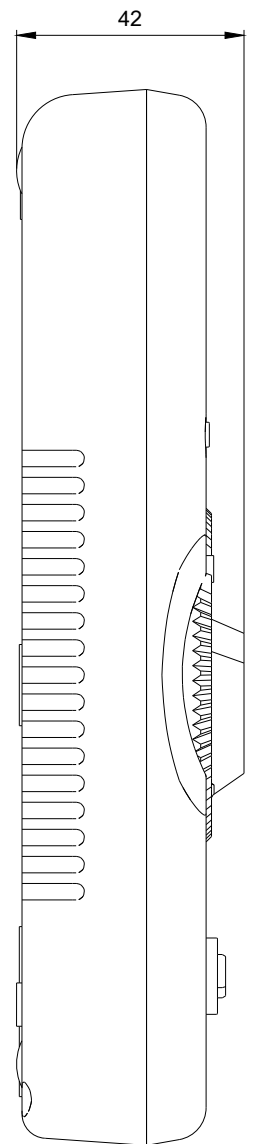
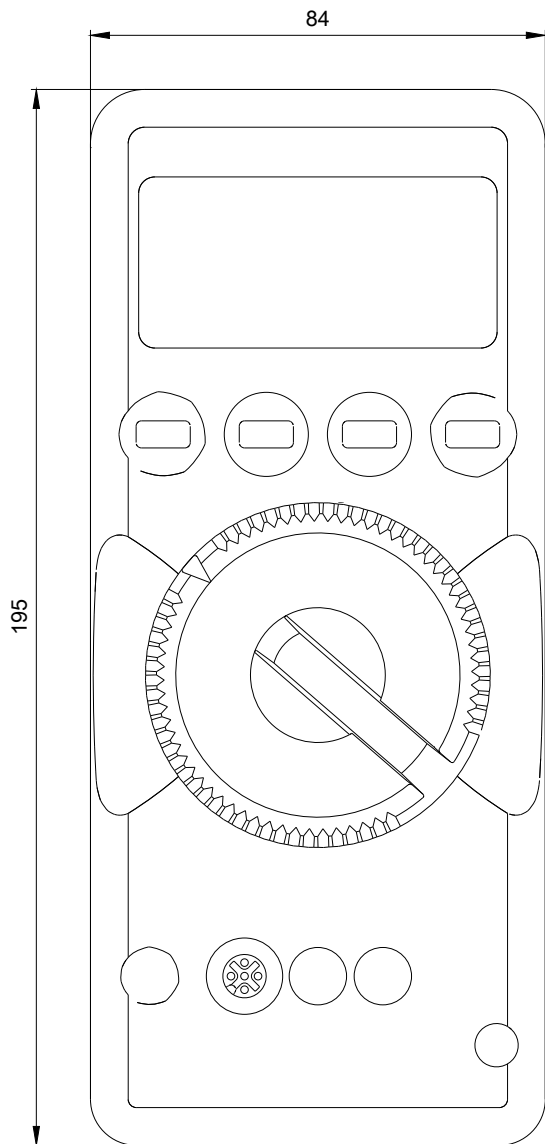
<http://support.automation.siemens.com/WW/CAXorder/default.aspx?lang=en&mlfb=3RK1904-2AB02>

Service&Support (Manuals, Certificates, Characteristics, FAQs,...)

<https://support.industry.siemens.com/cs/ww/en/ps/3RK1904-2AB02>

Image database (product images, 2D dimension drawings, 3D models, device circuit diagrams, EPLAN macros, ...)

http://www.automation.siemens.com/bilddb/cax_de.aspx?mlfb=3RK1904-2AB02&lang=en



last modified:

09/24/2020