

Position switch with twist lever adjustable-length with grid hole Metal enclosure XL, 56 mm wide Increased corrosion protection Device connection 3 x (M20 x 1.5) 2 x (1 NO/1 NC) quick action contacts functional at -40 °C Shock and vibration test according to EN 61373, Category 1B



| | |
|--------------------------------------|--|
| product brand name | SIRIUS |
| product designation | Mechanical position switches |
| product type designation | 3SE5 |
| manufacturer's article number | <ul style="list-style-type: none"> • of the supplied basic switch 3SE5162-0CA00-1AJ0 • of the supplied actuator head for position switches 3SE5000-0AH00-1AJ0 • of the supplied operating lever 3SE5000-0AA60-1AJ0 • of the supplied switching contacts 1x 3SE5000-0CA00, 1x 3SE5060-0CA00 |
| suitability for use safety switch | Yes |

General technical data

| | |
|--|-----------|
| product function | Yes |
| <ul style="list-style-type: none"> • positive opening | |
| insulation voltage | 400 V |
| <ul style="list-style-type: none"> • rated value | |
| degree of pollution | class 3 |
| surge voltage resistance rated value | 6 kV |
| protection class IP | IP66/IP67 |
| shock resistance | |

| | |
|---|--|
| <ul style="list-style-type: none"> • acc. to IEC 60068-2-27 • for railway applications acc. to DIN EN 61373 | 30g / 11 ms Category 1, Class B |
| vibration resistance | |
| <ul style="list-style-type: none"> • acc. to IEC 60068-2-6 | 0.35 mm/5g |
| mechanical service life (switching cycles) | |
| <ul style="list-style-type: none"> • typical | 5 000 000 |
| electrical endurance (switching cycles) | |
| <ul style="list-style-type: none"> • at AC-15 at 230 V typical | 100 000 |
| electrical endurance (switching cycles) with contactor 3RH11, 3RT1016, 3RT1017, 3RT1024, 3RT1025, 3RT1026 typical | 5 000 000 |
| Electrical operating cycles in one hour with contactor 3RH11, 3RT1016, 3RT1017, 3RT1024, 3RT1025, 3RT1026 | 6 000 |
| thermal current | 10 A |
| material of the enclosure of the switch head | plastic |
| reference code acc. to DIN EN 81346-2 | B |
| continuous current of the C characteristic MCB | 1 A; for a short-circuit current smaller than 400 A |
| continuous current of the quick DIAZED fuse link | 10 A; for a short-circuit current smaller than 400 A |
| continuous current of the DIAZED fuse link gG | 6 A |
| active principle | mechanical |
| repeat accuracy | 0.05 mm |
| minimum actuating torque in activation direction | 0.3 N·m |
| length of the sensor | 214 mm |
| width of the sensor | 56 mm |
| design of the switching contact | mechanical |
| operating frequency rated value | 50 ... 60 Hz |
| number of NC contacts for auxiliary contacts | 2 |
| number of NO contacts for auxiliary contacts | 2 |
| <ul style="list-style-type: none"> • operating current at AC-15 at 24 V rated value • operating current at AC-15 at 125 V rated value • operating current at AC-15 at 240 V rated value • operating current at AC-15 at 400 V rated value | 6 A 6 A 6 A 4 A |
| operating current at DC-13 | |
| <ul style="list-style-type: none"> • at 24 V rated value • at 125 V rated value • at 250 V rated value • at 400 V rated value | 3 A 0.55 A 0.27 A 0.12 A |
| design of the interface for safety-related communication | without |
| Enclosure | |
| design of the housing | block, wide |
| material of the enclosure | metal |

| | |
|---|----------------------------|
| coating of the enclosure | cathodic immersion coating |
| design of the housing acc. to standard | No |

Drive Head

| | |
|--|---|
| design of the operating mechanism | Adjustable twist lever, adjustable-length metal lever with latching, plastic roller 19 mm |
| standard-compliant actuator head | EN 50041, design A |
| shape of the switch head | roller |
| design of the switching function | positive opening |
| circuit principle | snap-action contacts |
| number of switching contacts safety-related | 2 |

Connections/ Terminals

| | |
|--|---|
| type of electrical connection | screw-type terminals |
| type of connectable conductor cross-sections | |
| <ul style="list-style-type: none"> • solid | 1x (0.5 ... 1.5 mm ²), 2x (0.5 ... 0.75 mm ²) |
| <ul style="list-style-type: none"> • finely stranded with core end processing | 1x (0.5 ... 1.5 mm ²), 2x (0.5 ... 0.75 mm ²) |
| <ul style="list-style-type: none"> • at AWG conductors solid | 1x (20 ... 16), 2x (20 ... 18) |
| <ul style="list-style-type: none"> • at AWG conductors stranded | 1x (20 ... 16), 2x (20 ... 18) |
| cable entry type | 3 x (M20 x 1.5) |

Communication/ Protocol

| | |
|--------------------------------|---------|
| design of the interface | without |
|--------------------------------|---------|

Ambient conditions

| | |
|---|------|
| explosion protection category for dust | none |
|---|------|

Installation/ mounting/ dimensions

| | |
|--|--------------|
| mounting position | any |
| <ul style="list-style-type: none"> • mounting type | screw fixing |

Certificates/ approvals

| | | |
|--------------------------|---------------------------------------|---------------------------|
| General Product Approval | Functional Safety/Safety of Machinery | Declaration of Conformity |
|--------------------------|---------------------------------------|---------------------------|



[Type Examination Certificate](#)



| | | |
|---------------------------|-------------------|-------|
| Declaration of Conformity | Test Certificates | other |
|---------------------------|-------------------|-------|

[Miscellaneous](#)

[Type Test Certificates/Test Report](#)

[Confirmation](#)

Further information

Information- and Downloadcenter (Catalogs, Brochures,...)

<https://www.siemens.com/ic10>

Industry Mall (Online ordering system)

<https://mall.industry.siemens.com/mall/en/en/Catalog/product?mlfb=3SE5162-0CH60-1AJ0>

Cax online generator

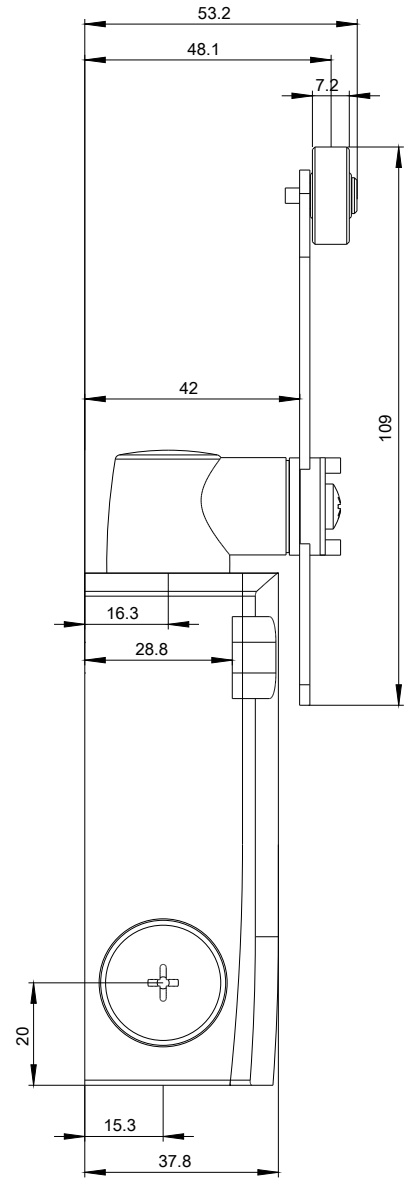
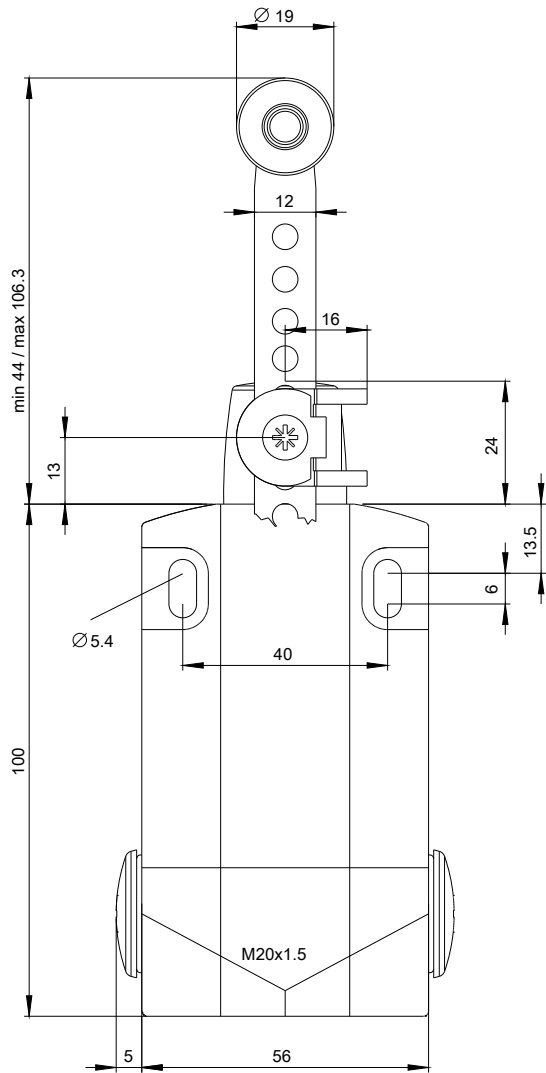
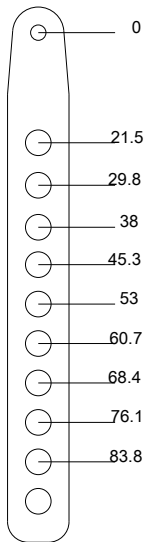
<http://support.automation.siemens.com/WW/CAXorder/default.aspx?lang=en&mlfb=3SE5162-0CH60-1AJ0>

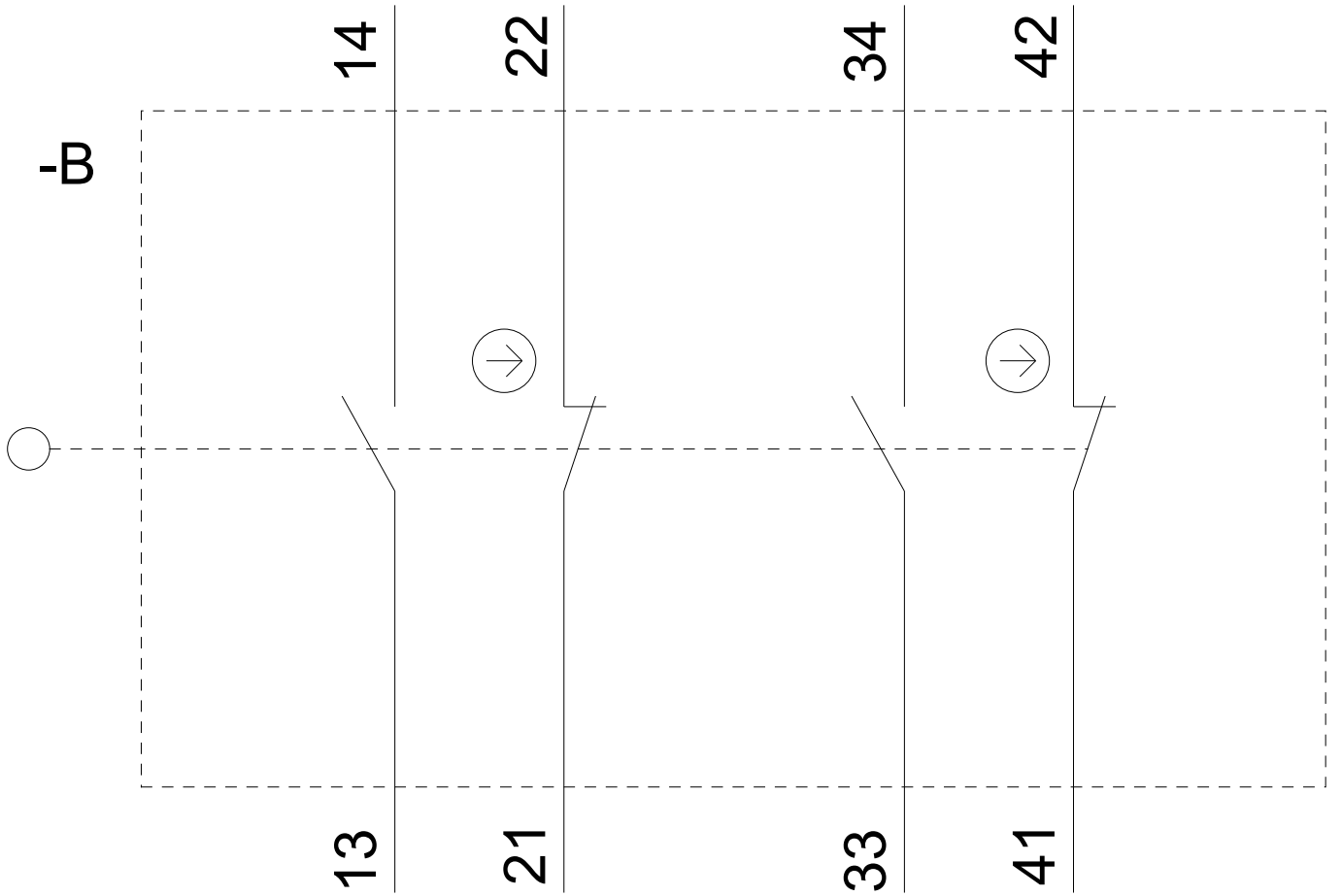
Service&Support (Manuals, Certificates, Characteristics, FAQs,...)

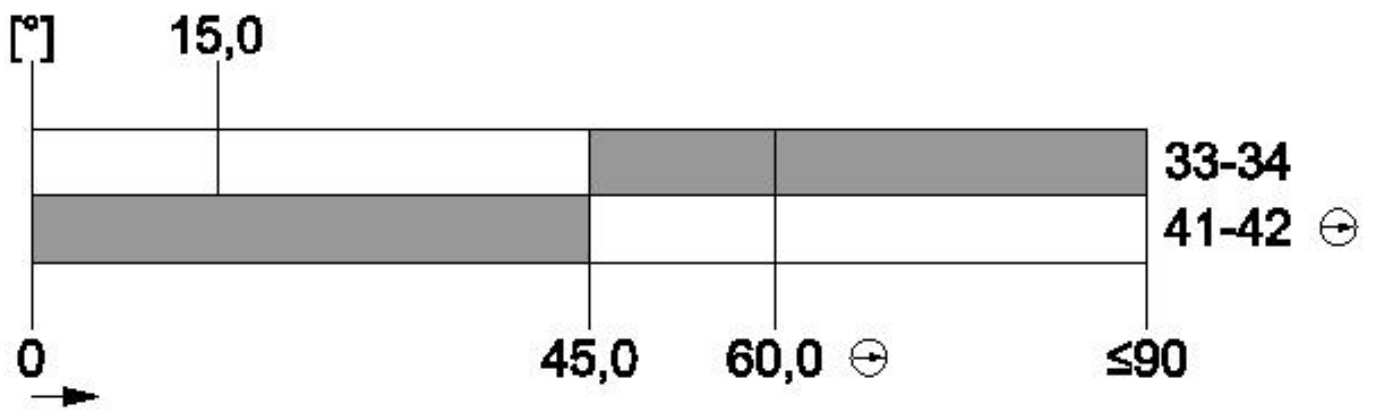
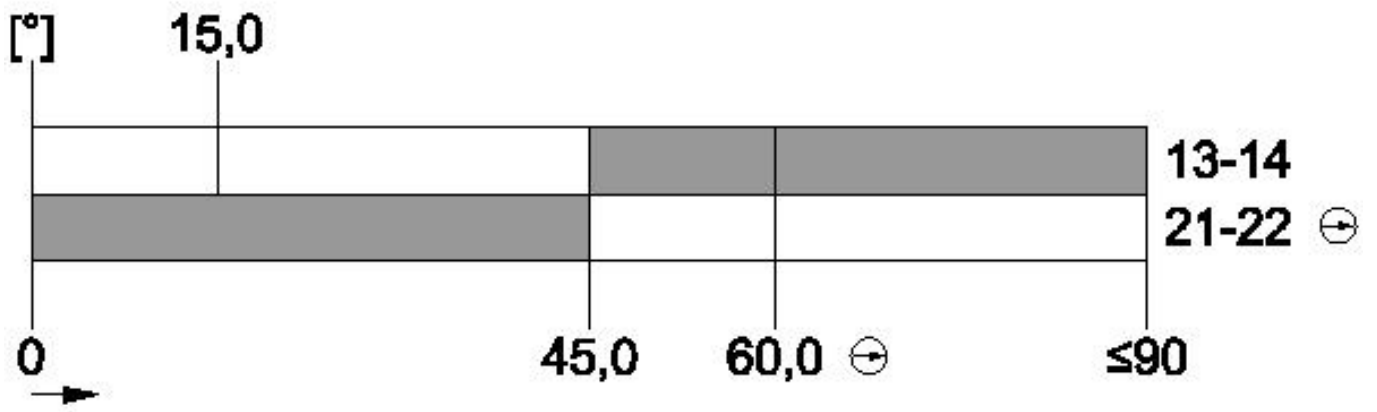
<https://support.industry.siemens.com/cs/ww/en/ps/3SE5162-0CH60-1AJ0>

Image database (product images, 2D dimension drawings, 3D models, device circuit diagrams, EPLAN macros, ...)

http://www.automation.siemens.com/bilddb/cax_de.aspx?mlfb=3SE5162-0CH60-1AJ0&lang=en







last modified:

09/29/2020