



Basic switch for position switch 3SE51 Metal enclosure 40 mm according to EN 50041 1 NO/1 NC quick action contact with M12 connector, 5-pole, fixed with 2 LEDs, yellow/green, 24 V DC 4 A, without actuator head Pin assignment: Pin1=21+13 Jumper + LED green Pin2=22, Pin3=ground LED Pin4=14 + LED yellow, Pin5=PE

product brand name	SIRIUS
product designation	Mechanical safety switches
product type designation	3SE5
manufacturer's article number	<ul style="list-style-type: none"> • of the supplied basic switch 3SE5114-1CA00-1AF5 • of the supplied switching contacts 3SE5000-0CA00
suitability for use safety switch	Yes

General technical data	
product function	
<ul style="list-style-type: none"> • positive opening 	Yes
insulation voltage	
<ul style="list-style-type: none"> • rated value 	125 V
degree of pollution	class 3
surge voltage resistance rated value	0.8 kV
protection class IP	IP66/IP67
shock resistance	
<ul style="list-style-type: none"> • acc. to IEC 60068-2-27 	30g / 11 ms
vibration resistance	
<ul style="list-style-type: none"> • acc. to IEC 60068-2-6 	0.35 mm/5g

mechanical service life (switching cycles)	
• typical	15 000 000
electrical endurance (switching cycles) with contactor 3RH11, 3RT1016, 3RT1017, 3RT1024, 3RT1025, 3RT1026 typical	10 000 000
Electrical operating cycles in one hour with contactor 3RH11, 3RT1016, 3RT1017, 3RT1024, 3RT1025, 3RT1026	6 000
thermal current	4 A
reference code acc. to DIN EN 81346-2	B
continuous current of the C characteristic MCB	1 A; for a short-circuit current smaller than 400 A
continuous current of the quick DIAZED fuse link	4 A; for a short-circuit current smaller than 400 A
continuous current of the DIAZED fuse link gG	4 A
active principle	mechanical
repeat accuracy	0.05 mm
minimum actuating force in activation direction	20 N
length of the sensor	130.5 mm
width of the sensor	40 mm
design of the switching contact	mechanical
number of NC contacts for auxiliary contacts	1
number of NO contacts for auxiliary contacts	1
operating current at DC-13	
• at 24 V rated value	3 A
design of the interface for safety-related communication	without

Enclosure	
design of the housing	block, narrow
material of the enclosure	metal
coating of the enclosure	cathodic immersion coating
design of the housing acc. to standard	Yes

Drive Head	
design of the operating mechanism	Other, without, basic switch with LED and plug
design of the switching function	Positive opening with appropriate positive opening actuator head
circuit principle	snap-action contacts
number of switching contacts safety-related	1

Connections/ Terminals	
type of electrical connection	M12 plug, fixed
cable entry type	M12 plug
design of plug-in connection	M12 connector, 5-pole: pin 1= terminal 21/13/LED green, pin 2= 22, pin 3= ground LED, pin 4= 14/LED yellow, pin 5= PE

Communication/ Protocol	
design of the interface	without

Ambient conditions

explosion protection category for dust none

Supply voltage

type of voltage of the supply voltage
• of the optional LED indicator DC

supply voltage
• of LED 24 V

Installation/ mounting/ dimensions

mounting position any
• mounting type screw fixing

Certificates/ approvals

General Product Approval

Functional Safety/Safety of Machinery

Declaration of Conformity



[Type Examination Certificate](#)



Declaration of Conformity

Test Certificates

other

[Miscellaneous](#)

[Type Test Certificates/Test Report](#)

[Confirmation](#)

Further information

Information- and Downloadcenter (Catalogs, Brochures,...)

<https://www.siemens.com/ic10>

Industry Mall (Online ordering system)

<https://mall.industry.siemens.com/mall/en/en/Catalog/product?mlfb=3SE5114-1CA00-1AF5>

Cax online generator

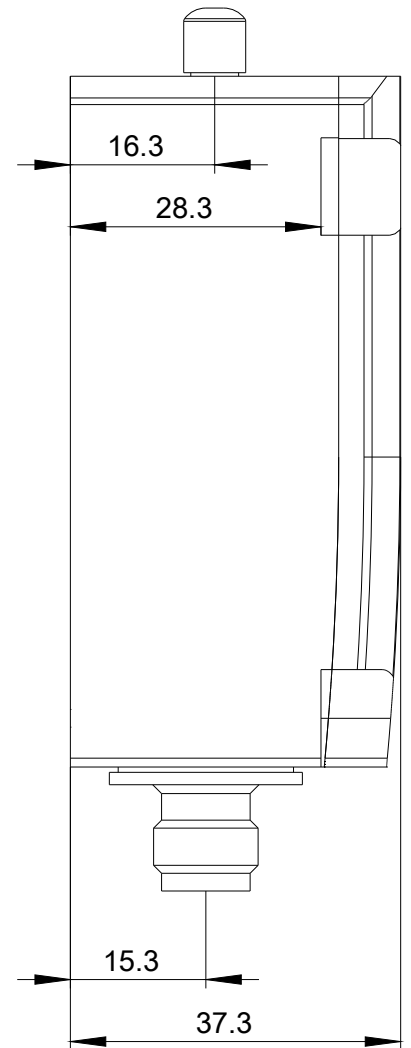
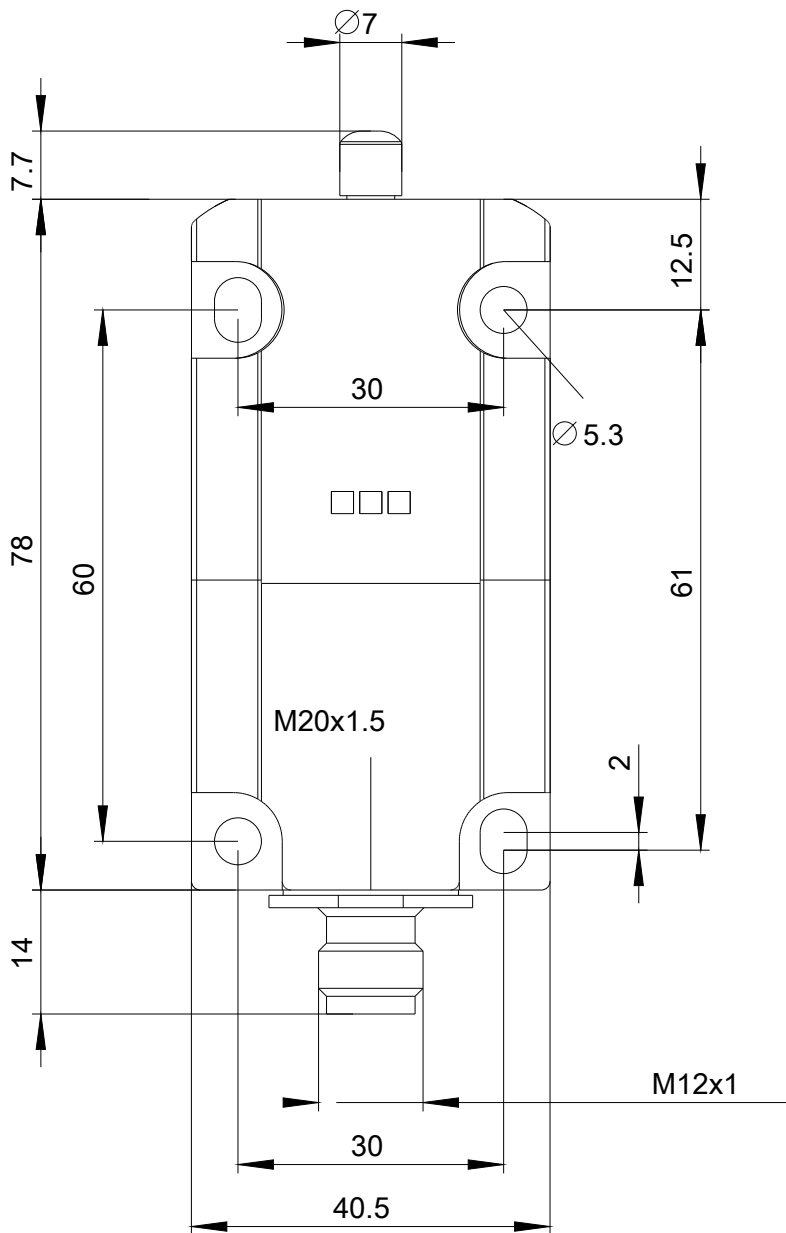
<http://support.automation.siemens.com/WW/CAXorder/default.aspx?lang=en&mlfb=3SE5114-1CA00-1AF5>

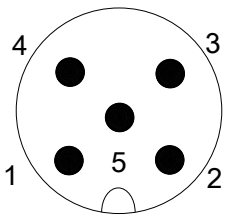
Service&Support (Manuals, Certificates, Characteristics, FAQs,...)

<https://support.industry.siemens.com/cs/ww/en/ps/3SE5114-1CA00-1AF5>

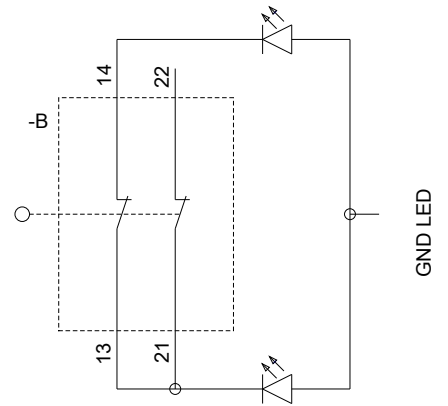
Image database (product images, 2D dimension drawings, 3D models, device circuit diagrams, EPLAN macros, ...)

http://www.automation.siemens.com/bilddb/cax_de.aspx?mlfb=3SE5114-1CA00-1AF5&lang=en





1	BN = Brown	→	21
2	WH = White	→	22
3	BU = Blue	→	GND LED
4	BK = Black	→	14+LED-Yellow
5	GY = Grey	→	PE
-	-	→	Bridge 13-21
-	-	→	13+LED-Green



last modified:

09/29/2020