

# B400SND Signalling Horn

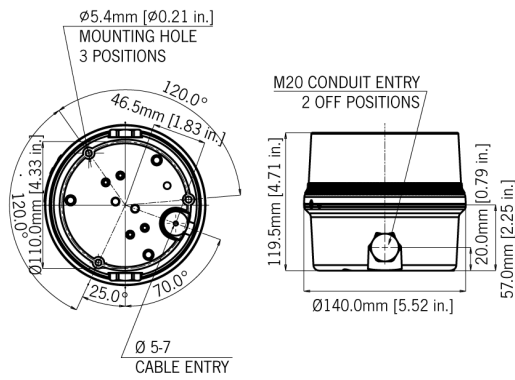
The B400SND is a 110 dB(A) high output signalling horn suitable for a variety of general signalling applications. The B400SND reproduces the alert sound of traditional electro-mechanical equivalents but without any of the reliability issues.

In addition to the 'buzzer' type sound the unit features a further two alarm sounds. All first stage sounds have a remotely selectable second stage. The B400SND is a component of the Spectra range and can be configured with the B350 or B450 traffic light beacons for complete audio-visual signalling.

## Features

- Bayonet fixing body.
- Anti-tamper locking screw.
- Stainless steel fixings.
- Multiple cable entries
- Compatible with B350 and B450 traffic light series





## Specification

No. of tones:	3
Output:	110 dB(A) @ 1m [101dB(A) @ 10ft/3m]
Stages:	Remotely selectable second stage
Mounting:	Surface mount (wall bracket available)
Entries:	1 x 5-7mm push through grommet 2 x M20 cable entry
Dimensions:	$\phi 140 \times 120\text{mm}$
Ingress protection:	IP65
Housing material:	High impact UL94 V0 (f1) PC
Terminals:	0.5 to 1.5mm <sup>2</sup>
Operating temp:	-25 to +50°C [-13° to +122°F]
Storage temp:	-40 to +70°C [-40° to +158°F]
Relative humidity:	90% at 20°C [68°F]
*SPL data +/-3dB(A). Measured at optimum voltage.	

## Part Codes

|\_Version: |\_.Part code: | |10-30V ac/dc| B400SND030G | |40-260V ac/dc| B400SND230G |

## Current Consumption

Version:	Voltage:	Current:
10-30V dc/ac	12V dc	52mA
10-30V dc/ac	24V dc	105mA
40-260V dc/ac	48V dc	42mA
10-30V dc/ac	12V ac 50/60Hz	115mA
10-30V dc/ac	24V ac 50Hz	215mA
40-260V dc/ac	48V ac 50/60Hz	68mA
40-260V dc/ac	115V dc	16mA
40-260V dc/ac	230V dc	8mA
40-260V dc/ac	115V ac 50/60Hz	36mA
40-260V dc/ac	230V ac 50/60Hz	18mA

## Tone table

S 1	Description	S 2
T 2	1200/500Hz @ 1Hz - DIN / PFEER P.T.A.P.	T 1
T 3	800/1000Hz @ 7Hz Sweeping	T 2