



Safety switch with tumbler, plastic, locking force 1300 N, e.g. for SIMATIC ET200eco PN-F; Spring-locked, with escape release at the back Auxiliary release with lock on front, magnet voltage 24 V, monitoring 1x door, monitoring 1x interlock, M12 connector 8-pole, Pin1=11; Pin2=12, Pin3=41, Pin4=42, Pin5=n.a.; Pin6=n.a. Pin7=E1, Pin8=E2 Actuator 3SE5000-0AV0. /-0AW.. must be ordered separately. Connection accessories, e.g. for SIMATIC ET200eco PN-F: Y cable 6ES7194-6KC00-0XA0 Cable 8-pole 3SX5601-3SV18

Manufacturer's article number <ul style="list-style-type: none"> • of the optional actuators 	3SE5000-0AV01 standard actuator, 3SE5000-0AV02 actuator with vertical fixing, 3SE5000-0AV03 actuator with transverse fixing, 3SE5000-0AV04 radius actuator, approach from left, 3SE5000-0AV05 universal actuator, 3SE5000-0AV06 radius actuator, approach from right, 3SE5000-0AV07 Heavy Duty actuator, 3SE5000-0AW42 actuator with vertical fixing, stainless steel socket, 3SE5000-0AW43 actuator with transverse fixing, stainless steel socket, 3SE5000-0AW51 stainless steel actuator, 3SE5000-0AW52 stainless steel actuator with vertical fixing, 3SE5000-0AW53 stainless steel actuator with transverse fixing
Suitability for use safety switch	Yes

General technical data	
Product function <ul style="list-style-type: none"> • positive opening 	Yes
Insulation voltage <ul style="list-style-type: none"> • rated value 	30 V
Degree of pollution	class 3
Surge voltage resistance rated value	0.8 kV
Protection class IP	IP66/IP67

Shock resistance	30g / 11 ms
• acc. to IEC 60068-2-27	30 g / 11 ms
Vibration resistance	0.35 mm / 5g
• acc. to IEC 60068-2-6	0.35 mm/5g
Mechanical service life (switching cycles)	
• typical	1 000 000
Thermal current	1.5 A
Material of the enclosure of the switch head	plastic
Reference code acc. to DIN EN 81346-2	B
Reference code acc. to DIN EN 61346-2	B
Continuous current of the C characteristic MCB	1 A; for a short-circuit current smaller than 400 A
Continuous current of the quick DIAZED fuse link	1 A; for a short-circuit current smaller than 400 A
Continuous current of the DIAZED fuse link gG	1 A; for a short-circuit current smaller than 400 A
Locking force	1 300 N
• acc. to DIN EN ISO 14119	1 000 N
Repeat accuracy	0.05 mm
Actuating force in tension force vector typical	20 N
Length of the sensor	198 mm
Width of the sensor	54 mm
Operating current at AC-15	
• at 24 V rated value	1.5 A
Operating current at DC-13	
• at 24 V rated value	1.5 A
Design of the interface for safety-related communication	without

Enclosure

Design of the housing	special design
Material of the enclosure	plastic
Design of the housing acc. to standard	No

Drive Head

Design of the operating mechanism	5 directions of approach
Design of the switching function	positive opening
Number of actuation directions	5
Circuit principle	slow-action contacts
Number of switching contacts safety-related	2

Connections/ Terminals

Type of electrical connection	screw-type terminals
--------------------------------------	----------------------

Safety related data

B10 value	
• with high demand rate acc. to SN 31920	1 000 000
Proportion of dangerous failures	

• with high demand rate acc. to SN 31920	50 %
Cable entry type	M12 plug
Design of plug-in connection	M12 connector, 8-pole: Pin 1= 11, pin 2= 12, pin 3= 41, pin 4= 42, pin 5= n.c., pin 6= n.c., pin 7= E1, pin 8= E2
Locking mechanism design	spring-locked (closed-circuit current principle) with escape unlocking at the rear and lock on the front

Communication/ Protocol

Design of the interface	without
--------------------------------	---------

Ambient conditions

Ambient temperature	
• during operation	-25 ... +60 °C
• during storage	-40 ... +80 °C
Explosion protection category for dust	none

Supply voltage

Supply voltage of magnet coil	24 V
--------------------------------------	------

Installation/ mounting/ dimensions

Mounting position	any
Mounting type	screw fixing

Certificates/ approvals

General Product Approval				Declaration of Conformity	
				Miscellaneous	
CCC	CSA	UL			EG-Konf.

other

[Confirmation](#)

Further information

Information- and Downloadcenter (Catalogs, Brochures,...)

<https://www.siemens.com/ic10>

Industry Mall (Online ordering system)

<https://mall.industry.siemens.com/mall/en/en/Catalog/product?mlfb=3SE5324-0SH21-1AE4>

Cax online generator

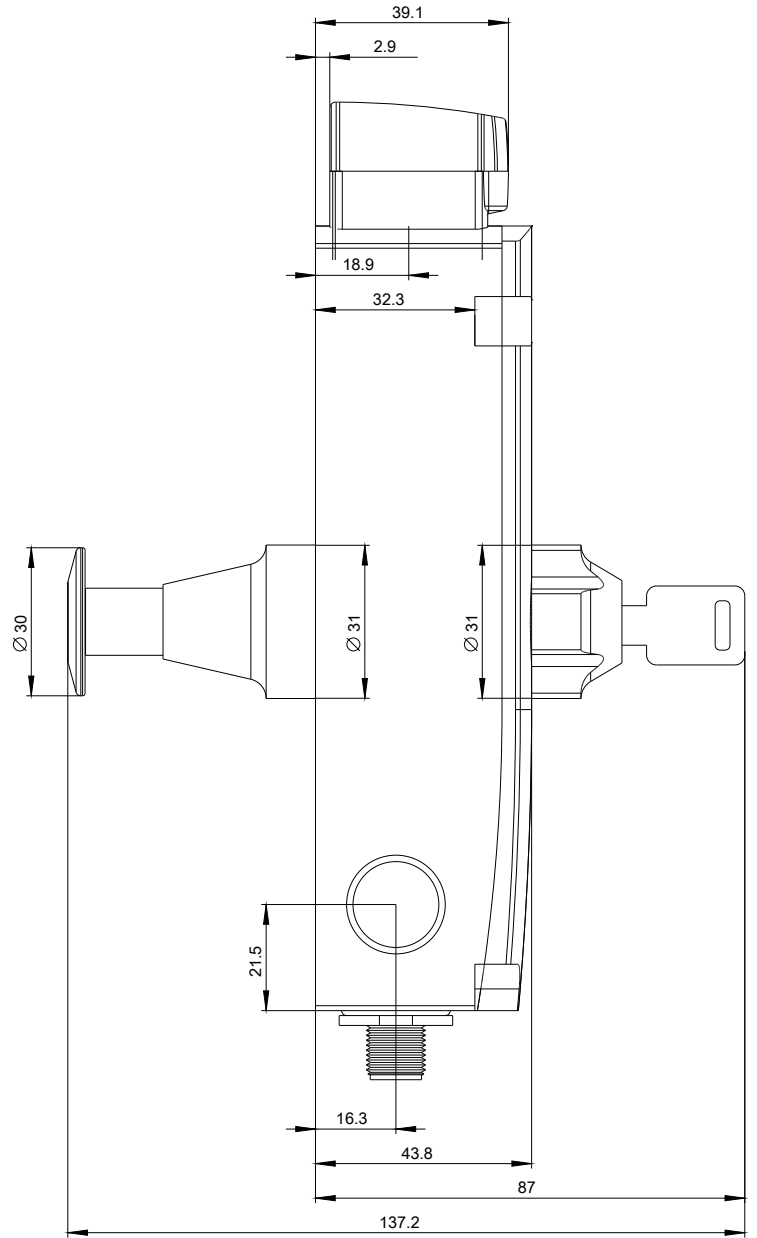
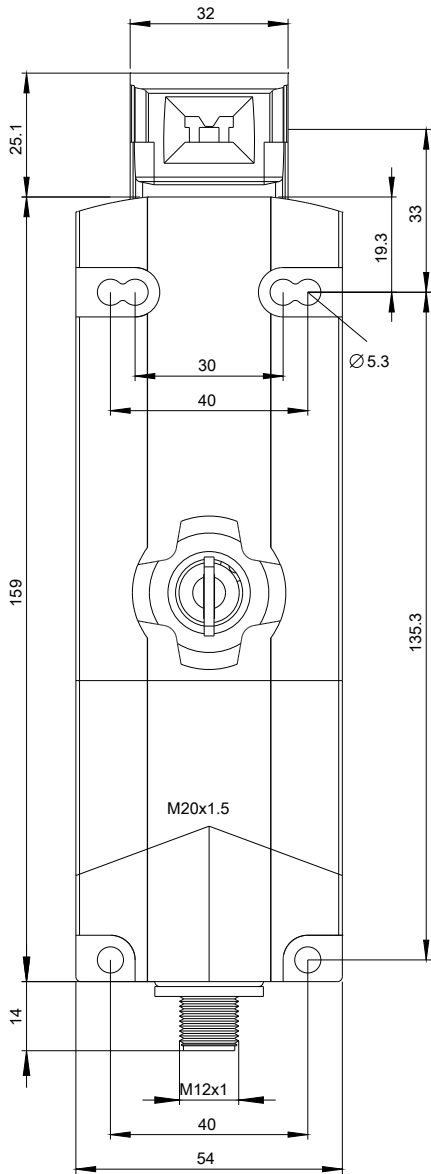
<http://support.automation.siemens.com/WW/CAXorder/default.aspx?lang=en&mlfb=3SE5324-0SH21-1AE4>

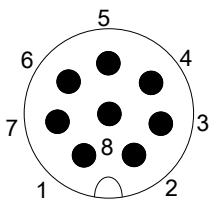
Service&Support (Manuals, Certificates, Characteristics, FAQs,...)

<https://support.industry.siemens.com/cs/ww/en/ps/3SE5324-0SH21-1AE4>

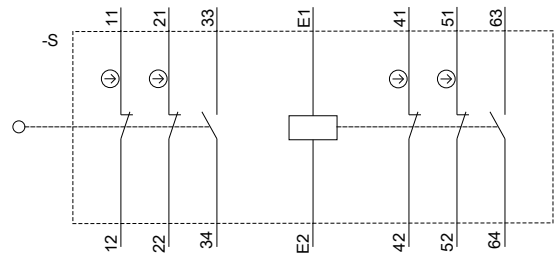
Image database (product images, 2D dimension drawings, 3D models, device circuit diagrams, EPLAN macros, ...)

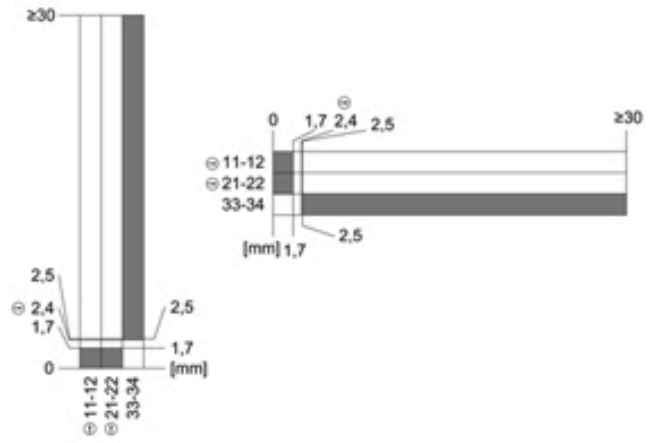
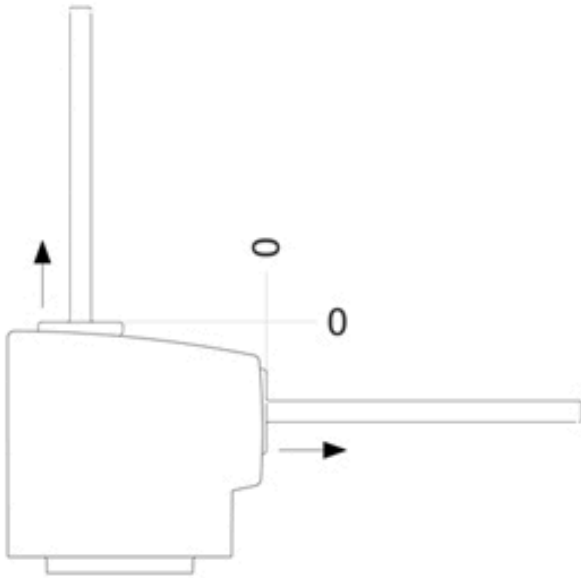
http://www.automation.siemens.com/bilddb/cax_de.aspx?mlfb=3SE5324-0SH21-1AE4&lang=en





1	WH = White	→	11
2	BN = Brown	→	12
3	GN = Green	→	41
4	YE = Yellow	→	42
5	GY = Grey	→	n.c.
6	PK = Pink	→	n.c.
7	BU = Blue	→	E1
8	RD = Red	→	E2





last modified:

04/28/2020