

I/O module - AXL F RTD8 XC 1F - 2701235

Please be informed that the data shown in this PDF Document is generated from our Online Catalog. Please find the complete data in the user's documentation. Our General Terms of Use for Downloads are valid (<http://phoenixcontact.com/download>)



Axioline F XC, Temperature recording module, Analog inputs: 8 (for resistance temperature detectors), connection method: 2, 3, 4-wire (shielded), transmission speed in the local bus: 100 Mbps, Extreme conditions version, degree of protection: IP20, including bus base module and Axioline F connectors

The figure shows the standard item

Product Description

The module is designed for use within an Axioline F station.

It is used to acquire signals from resistive temperature sensors.

The module supports all common platinum sensors in accordance with DIN EN 60751 and SAMA, as well as nickel sensors in accordance with DIN 43760.

Cu10, Cu50, Cu53 sensors as well as various KTY8x sensor types are also supported.

Your advantages

- ✓ 8 analog input channels for the connection of resistance temperature detectors (RTD)
- ✓ 500 Ω and 5 k Ω linear inputs
- ✓ Connection of sensors in 2, 3, and 4-wire technology
- ✓ Integrated, digital sensor linearization
- ✓ Standardized measured value representation directly in $^{\circ}\text{C}$, $^{\circ}\text{F}$ or Ω
- ✓ Measured value display in 16-bit format or floating point format
- ✓ Programmable filters
- ✓ Short-circuit protected inputs
- ✓ Device rating plate stored
- ✓ Diagnostic and status indicators
- ✓ Can be used under extreme ambient conditions
- ✓ Extended temperature range of -40°C ... $+70^{\circ}\text{C}$ (see "Tested successfully: use under extreme ambient conditions" in the data sheet)
- ✓ Partially coated PCBs
- ✓ Temperature stability
- ✓ Very high level of noise immunity
- ✓ Low noise emission
- ✓ Installation monitoring by means of "Channel scout" function



Key Commercial Data

Packing unit	1 pc
--------------	------

I/O module - AXL F RTD8 XC 1F - 2701235

GTIN	 4 046356 730471
GTIN	4046356730471
Weight per Piece (excluding packing)	215.000 g
Custom tariff number	85389091
Country of origin	Germany

Technical data

Dimensions

Caption	Dimensional drawing
Width	53.6 mm
Height	126.1 mm
Depth	54 mm
Note on dimensions	The depth is valid when a TH 35-7,5 DIN rail is used (according to EN 60715).

Ambient conditions

Ambient temperature (operation)	-25 °C ... 60 °C (Standard)
	-40 °C ... 70 °C (Extended, see section "Tested successfully: use under extreme ambient conditions" in the data sheet.)
Ambient temperature (storage/transport)	-40 °C ... 85 °C
Permissible humidity (operation)	5 % ... 95 % (non-condensing)
Permissible humidity (storage/transport)	5 % ... 95 % (non-condensing)
Air pressure (operation)	70 kPa ... 106 kPa (up to 3000 m above sea level)
Air pressure (storage/transport)	70 kPa ... 106 kPa (up to 3000 m above sea level)
Degree of protection	IP20

General

Mounting type	DIN rail
Color	traffic grey A RAL 7042
Net weight	215 g
Note on weight specifications	with connectors and bus base module
Mounting position	any (no temperature derating)

Interfaces

Designation	Axiline F local bus
No. of channels	2
Connection method	Bus base module
Transmission speed	100 Mbps

Axiline potentials

Designation	Axiline F local bus supply (U_{Bus})
Supply voltage	5 V DC (via bus base module)
Current consumption	typ. 115 mA
	max. 180 mA

I/O module - AXL F RTD8 XC 1F - 2701235

Technical data

Axioline potentials

Power consumption	typ. 0.58 W
	max. 0.9 W
Designation	Supply for analog modules (U _A)
Supply voltage	24 V DC
Supply voltage range	19.2 V DC ... 30 V DC (including all tolerances, including ripple)
Current consumption	typ. 15 mA
	max. 25 mA
Power consumption	max. 0.6 W
	typ. 0.94 W (at U _{BUS} and U _A)
	max. 1.5 W (at U _{BUS} and U _A)
Protective circuit	Surge protection of the supply voltage electronic (35 V, 0.5 s)
	Polarity reversal protection of the supply voltage Polarity protection diode
	Transient protection Suppressor diode

Analog inputs

Number of inputs	8 (for resistance temperature detectors)
Input name	Analog inputs
Description of the input	Inputs for resistive temperature sensors
Connection method	Push-in connection
Connection technology	2, 3, 4-wire (shielded)
Sensor types (RTD) that can be used	Pt, Ni, KTY, Cu sensors
Linear resistance measuring range	0 Ω ... 500 Ω
	0 kΩ ... 5 kΩ
Nominal value of the current sources	1 mA (Pt 100, Ni 100, R _{Lin} 500 Ω; pulse current, the specification is valid during the sampling phase)
Measured value representation	16 bits (15 bits + sign bit)
A/D converter resolution	24 bit
Type of protection	Short-circuit protection, overload protection of the inputs
	Transient protection of inputs
	Transient protection of sensor supplies
Data formats	IB IL, S7-compatible
Input filter time	40 ms

Electrical isolation

Test section	5 V supply of the local bus (U _{BUS}) / 24 V supply (I/Os) 500 V AC 50 Hz 1 min.
	5 V supply of the local bus (U _{BUS}) / functional ground 500 V AC 50 Hz 1 min.
	24 V supply (I/O) / functional earth ground 500 V AC 50 Hz 1 min.

Standards and Regulations

Mechanical tests	Vibration resistance in acc. with EN 60068-2-6/IEC 60068-2-6 5g
------------------	---

I/O module - AXL F RTD8 XC 1F - 2701235

Technical data

Standards and Regulations

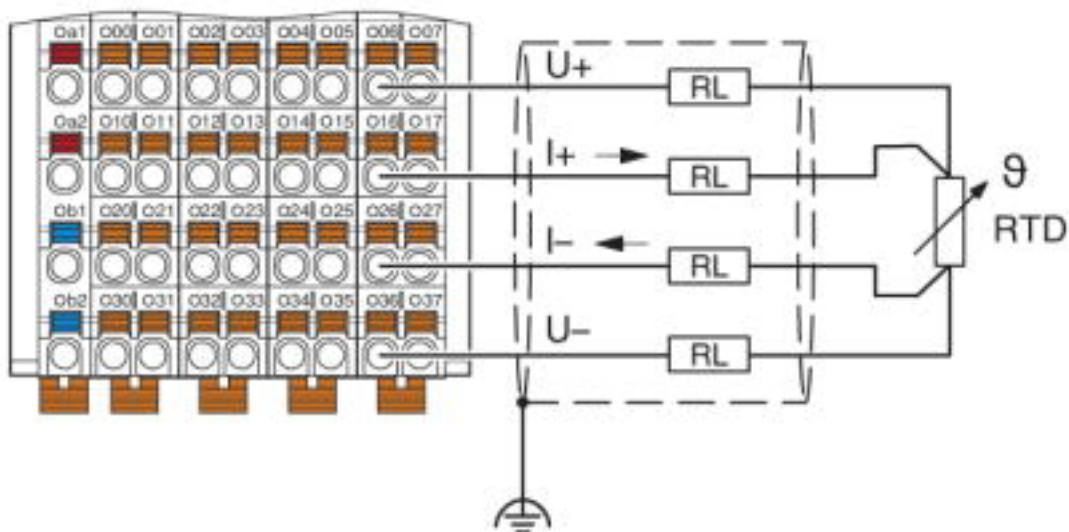
	Shock in acc. with EN 60068-2-27/IEC 60068-2-27 30g
	Continuous shock according to EN 60068-2-27/IEC 60068-2-27 10g
Protection class	III (IEC 61140, EN 61140, VDE 0140-1)

Environmental Product Compliance

REACH SVHC	Lead 7439-92-1
China RoHS	Environmentally Friendly Use Period = 50 years
	For details about hazardous substances go to tab "Downloads", Category "Manufacturer's declaration"

Drawings

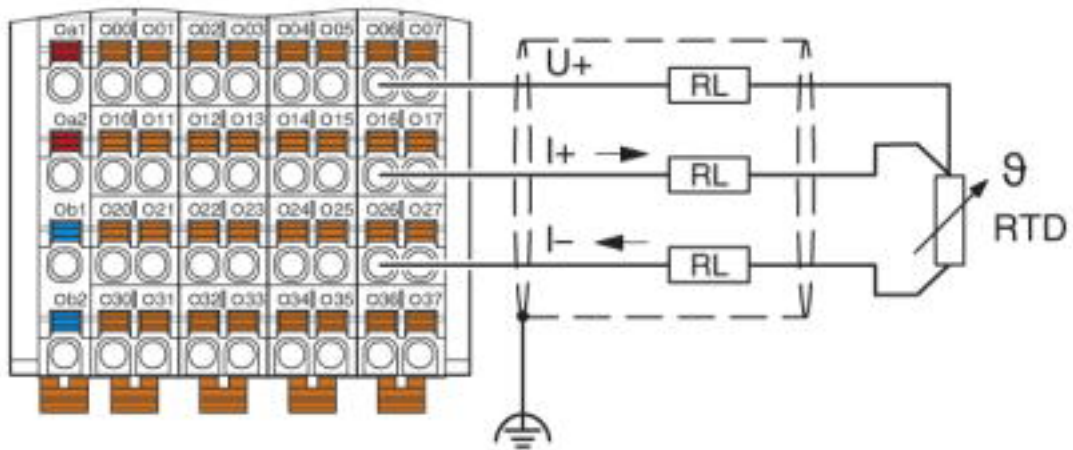
Connection diagram



Connection example: 4-wire connection

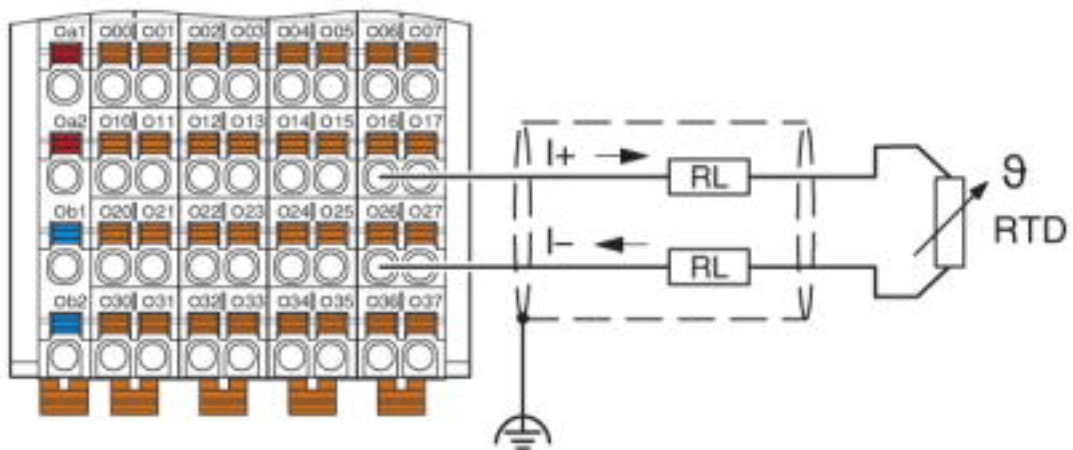
I/O module - AXL F RTD8 XC 1F - 2701235

Connection diagram



Connection example: 3-wire connection

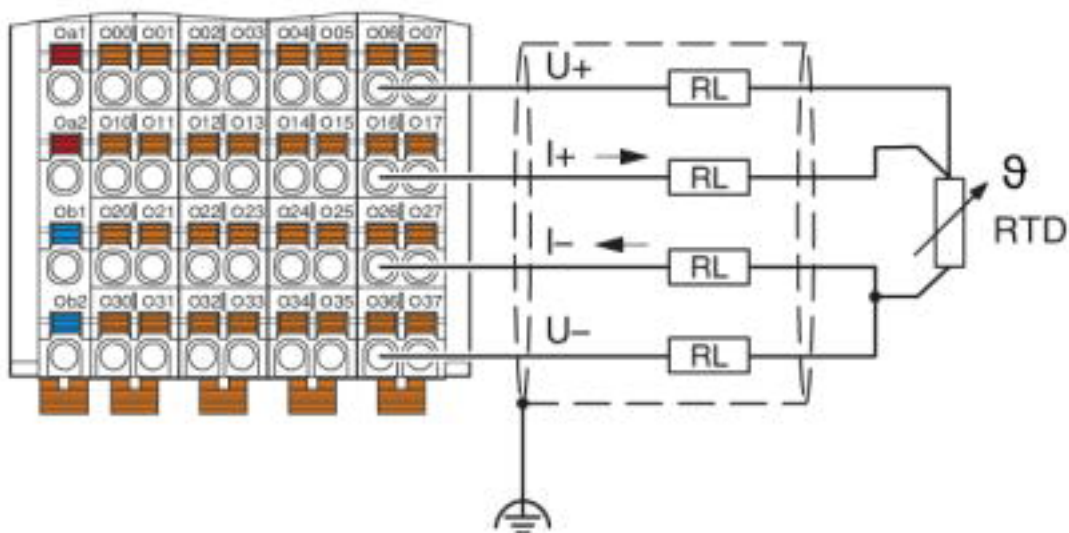
Connection diagram



Connection example: 2-wire connection

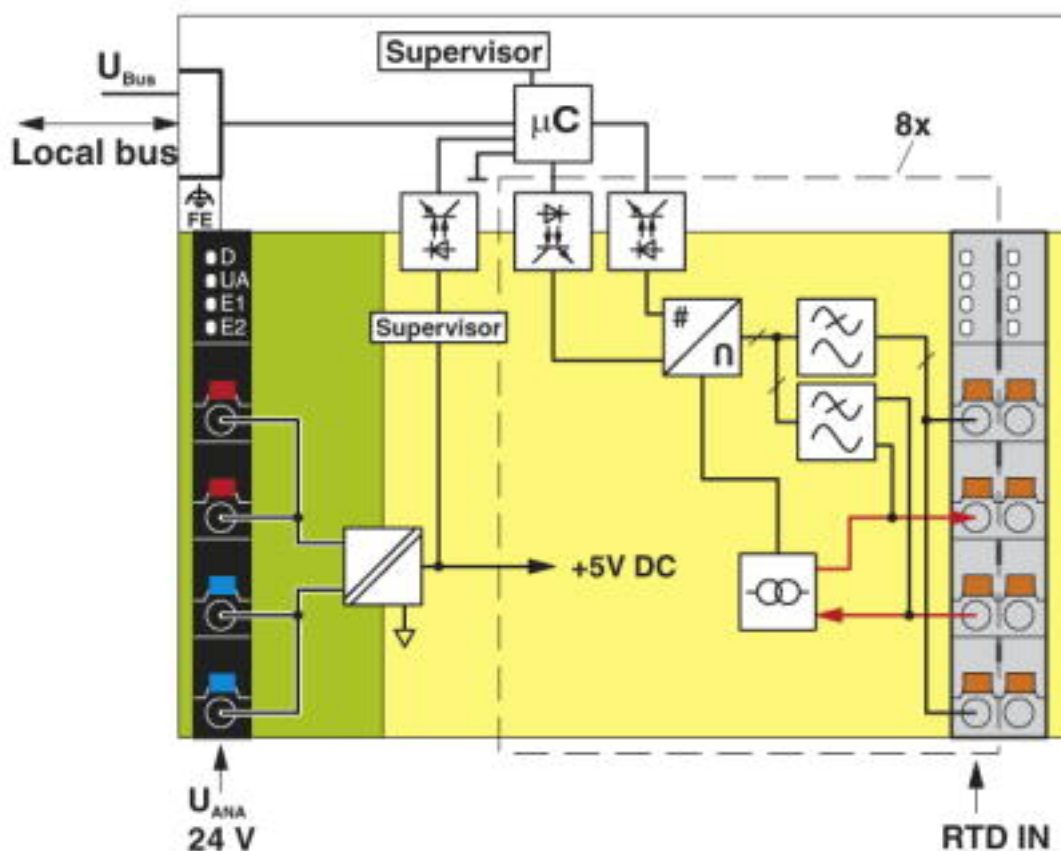
I/O module - AXL F RTD8 XC 1F - 2701235

Connection diagram



Connection example: 4-wire connection for 3-wire sensor with very long supply lines (> 100 m)

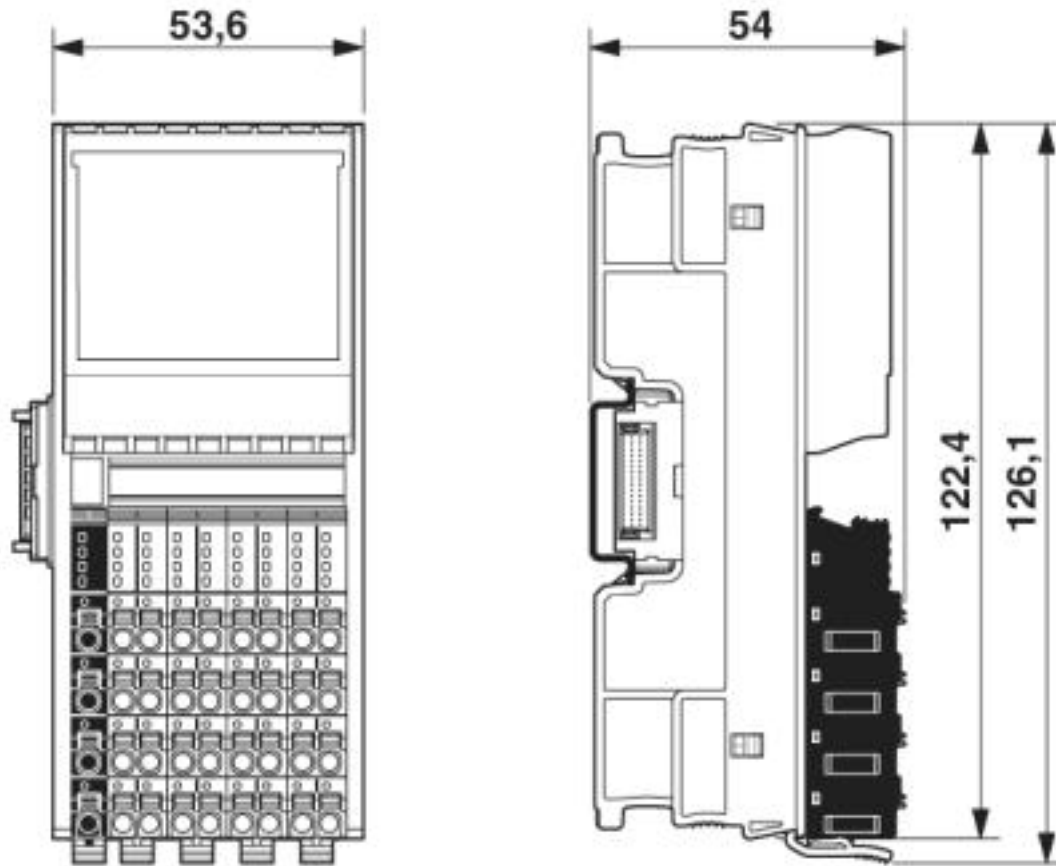
Block diagram



Internal wiring of the terminal points

I/O module - AXL F RTD8 XC 1F - 2701235

Dimensional drawing



Dimensional drawing

Classifications

eCl@ss

eCl@ss 4.0	27240400
eCl@ss 4.1	27240400
eCl@ss 5.0	27242200
eCl@ss 5.1	27242600
eCl@ss 6.0	27242600
eCl@ss 7.0	27242601
eCl@ss 8.0	27242601
eCl@ss 9.0	27242601

ETIM

ETIM 3.0	EC001599
ETIM 4.0	EC001435
ETIM 5.0	EC001596
ETIM 6.0	EC001596

I/O module - AXL F RTD8 XC 1F - 2701235

Classifications

ETIM

ETIM 7.0	EC001596
----------	----------

UNSPSC

UNSPSC 6.01	43172015
UNSPSC 7.0901	43201404
UNSPSC 11	39121311
UNSPSC 12.01	39121311
UNSPSC 13.2	32151602
UNSPSC 18.0	32151602
UNSPSC 19.0	32151602
UNSPSC 20.0	32151602
UNSPSC 21.0	32151602

Approvals

Approvals

Approvals

DNV GL / PRS / BV / LR / KR / NK / ABS / BSH / RINA / UL Listed / cUL Listed / cULus Listed

Ex Approvals

Approval details

DNV GL		https://approvalfinder.dnvgl.com/	TAA00000DF
--------	--	---	------------

PRS		http://www.prs.pl/	TE/2239/880590/19
-----	--	---	-------------------

BV		http://www.veristar.com/portal/veristarinfo/generalinfo/approved/approvedProducts/equipmentAndMaterials	36433/B0 BV
----	--	---	-------------

LR		http://www.lr.org/en	14-20019
----	--	---	----------

I/O module - AXL F RTD8 XC 1F - 2701235

Approvals

KR		http://www.krs.co.kr/eng/main/main.aspx	HMB17372-AC002
----	--	---	----------------

NK		http://www.classnk.or.jp/hp/en/	14A006
----	--	---	--------

ABS		http://www.eagle.org/eagleExternalPortalWEB/	18-HG1767360-PDA
-----	--	---	------------------

BSH			840
-----	--	--	-----

RINA		http://www.rina.org/en	ELE256518XG
------	--	---	-------------

UL Listed		http://database.ul.com/cgi-bin/XYV/template/LISEXT/1FRAME/index.htm	FILE E 238705
-----------	--	---	---------------

cUL Listed		http://database.ul.com/cgi-bin/XYV/template/LISEXT/1FRAME/index.htm	FILE E 238705
------------	--	---	---------------

cULus Listed			
--------------	--	--	--

Accessories

Accessories

Device marking

Insert label - EMT (35X46)R - 0801604



Insert label, for the Axioline F series from Phoenix Contact. Roll, white, unlabeled, can be labeled with: THERMOMARK ROLLMARKER 300/600, THERMOMARK X1.2, THERMOMARK ROLL X1, THERMOMARK ROLL 2.0, THERMOMARK ROLL, mounting type: snapped into marker carrier, lettering field size: 35 x 46 mm, Number of individual labels: 500

DIN rail connector

I/O module - AXL F RTD8 XC 1F - 2701235

Accessories

Bus connector - AXL F BS F - 2688129



Axioline F bus base module for housing type F

Shield connection

Shield connection - AXL SHIELD SET - 2700518



Axioline shield connection set (contains 2 shield bus holders and 2 SK 5 shield connection clamps)

Terminal marking

Zack marker strip - ZB 20,3 AXL UNPRINTED - 0829579



Zack marker strip for Axioline F (device labeling), in 2 x 20.3 mm pitch, unprinted, 25-section, for individual labeling with B-STIFT 0.8, X-PEN, or CMS-P1-PLOTTER

Zack Marker strip, flat - ZBF 10/5,8 AXL UNPRINTED - 0829580



Zack Marker strip, flat, Strip, white, unlabeled, can be labeled with: PLOTMARK, CMS-P1-PLOTTER, mounting type: snap into flat marker groove, for terminal block width: 10.15 mm, lettering field size: 4 of 10.15 x 5 mm and 1 of 5.8 x 5 mm, Number of individual labels: 50
