

Datasheet

Stock No.s: 1919495, 1919496, 1919497, 1919498, 1919467, 1919468

External Mount Miniature Vertical Float Switch



- External mount via compression seal
- Compact design with small diameter float
- Available in Nylon, Polypropylene and PPS
- Flying lead or M12 4-pin plug connector

A compact vertically mounted design with a single switch point.

Mounting is in the top or bottom of a tank via a compression seal, so does not require access to the inside of the tank for fitting

These float switches have a switching capacity of 25VA

The switch action may be reversed by removing the float, inverting it, then refitting to the stem.

Available in flying lead or M12 connector versions. Cables are available for use with M12 connection versions.

Technical Specification

Material	Nylon	Polypropylene	Polyphenylene Sulphide
Colour	Black	Opaque	Grey
Temp. Range* °C	-20 / +75	-20 / +100	-10 / +120
°F	-4 / +167	-4 / +212	+14 / +248
Min. Fluid SG	TBC	TBC	TBC

* Temperature ranges apply to wetted components

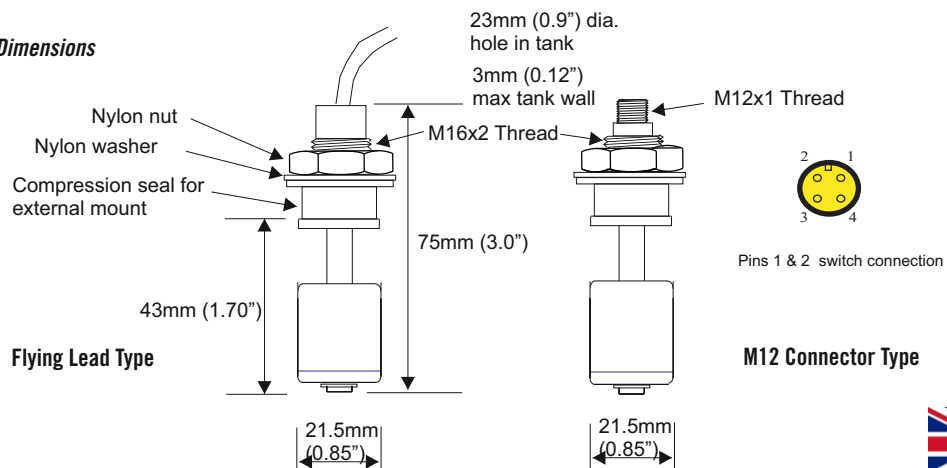
Electrical Specification

Contact Form		N/O (N/C)
Switching Power Max	VA	25
Switching Voltage AC Max	V	240
Switching Voltage DC Max	V	120
Switching Current Max	A	0.6

All ratings are for resistive load only.

RS Stock No.	Material	Max Power	Leadouts	Gasket
1919495	Nylon	25VA	100cm PVC 2 core 7/0.2	Nitrile
1919497	Polypropylene	25VA	100cm PVC 2 core 7/0.2	Nitrile
1919467	Polyphenylene Sulphide	25VA	100cm PVC 2 core 7/0.2	Nitrile
1919496	Nylon	25V	M12 Connector	Nitrile
1919498	Polypropylene	25VA	M12 Connector	Nitrile
1919468	Polyphenylene Sulphide	25VA	M12 Connector	Nitrile

Mechanical Dimensions



Specifications are subject to change without prior notice.