



ENGLISH

Datasheet

Stock No.s: 11919503,1919469

Compact Internal Fitting Horizontal Float Switch



- **Compact design**
- **Flying Lead or M12 plug connection**
- **Manufactured from PPS**
- **25VA switching capacity**

This float switch type is designed as a compact internal fitting device making this ideal for size sensitive applications. Mounting of this series requires access to the inside of the tank.

Typical applications include vending machines, commercial washing machines and evaporator units.

The switch action may be reversed by rotating the device through 180°.

Available with flying leads or M12 4-pin plug for electrical connection.

Technical Specification

Material	Polyphenylene Sulphide (PPS)	
Colour	Grey	
Temp. Range* °C	-10 / +120	
°F	+14 / +248	
Min. Fluid SG	0.85	
Must close level (SG=1)	9mm	
Must open level (SG=1)	24mm	

*Temperature ranges apply to wetted components

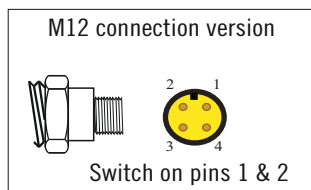
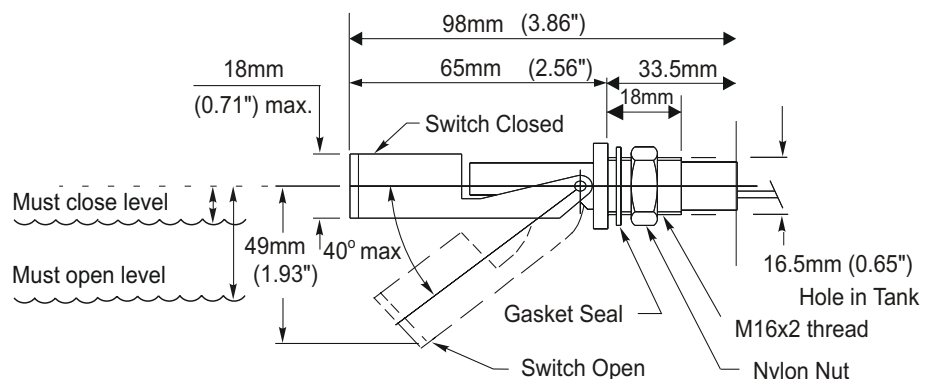
Electrical Specification

Contact Form		N/O (N/C)
Switching Power Max	VA	25
Switching Voltage AC Max	V	240
Switching Voltage DC Max	V	120
Switching Current Max	A	0.6

All ratings are for resistive load only.

RS Stock No.	Material	Max Power	Connection	Gasket
1919469	PPS	25VA	100cm PVC 16/0.2	Nitrile
1919503	PPS	25VA	M12 4-pin	Nitrile

Mechanical Dimensions



Made in the UK

Specifications are subject to change without prior notice.

RSF46 RS Pro 2019