

Datasheet

Stock Nos: 1919479, 1919476, 1919480, 1919477, 1919481, 1919478 Compact, Internal Fitting, Low level, Low S.G. Float Switch



- **Suitable for low specific gravity liquids**
- **Very low level sensing**
- **Class leading compact design**
- **Flying Lead or M12 plug connection**
- **Available in Nylon, Polypropylene or PPS**

This float switch series is designed as a compact internal fitting device, with a wide range of options, making this ideal for size sensitive applications. Mounting of this series requires access to the inside of the tank.

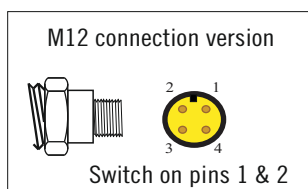
These devices are particularly suitable for detecting low levels of liquids in the bottom of tanks and containers, and for lower SG liquids. Typical applications include vending machines, commercial washing machines and evaporator units.

They are manufactured in a variety of materials with a choice of gasket materials, to suit most commonly used liquids.

The switch action may be reversed by rotating the device through 180°.

Available with flying leads or M12 socket for electrical connection. Cable sets with M12 plugs are also available.

Electrical Connections



Technical Specification

	Nylon	Polypropylene	Polyphenylene Sulphide (PPS)
Material	Nylon	Polypropylene	Polyphenylene Sulphide (PPS)
Colour	Black	Opaque	Grey
Temp. Range °C	-20 / +75	-20 / +100	-10 / +120
Temp. Range °F	-4 / +167	-4 / +212	+14 / +248*
Min. Fluid SG	0.7	0.7	0.7
Must close level (SG=1)	1mm	1mm	1mm
Must open level (SG=1)	10mm	10mm	10mm

* Temperature ratings are for wetted components

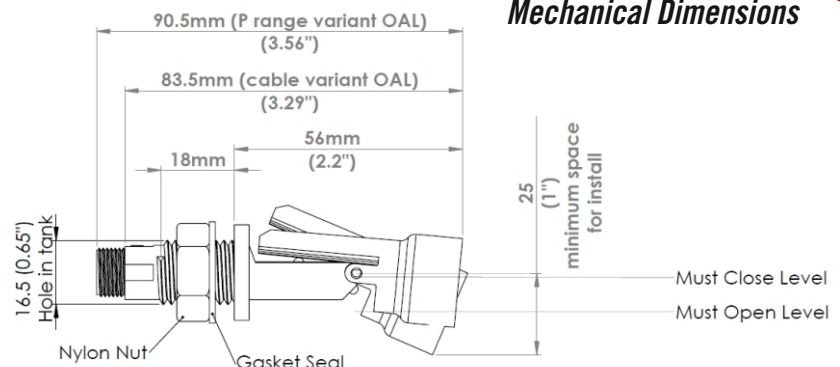
Electrical Specification

Contact Form		N/O (N/C)
Switching Power Max	VA	25
Switching Voltage AC Max	V	240
Switching Voltage DC Max	V	120
Switching Current Max	A	0.6

All ratings are for resistive load only.

RS Stock No.s	Material	Max Power	Leadouts	Gasket
1919476	Nylon	25VA	100cm PVC 16/0.2	Nitrile
1919477	PP	25VA	100cm PVC 16/0.2	Nitrile
1919478	PPS	25VA	100cm PVC 16/0.2	Nitrile
1919479	Nylon	25VA	M12 connector	Nitrile
1919480	PP	25VA	M12 connector	Nitrile
1919481	PPS	25VA	M12 connector	Nitrile

Mechanical Dimensions



Made in the UK