

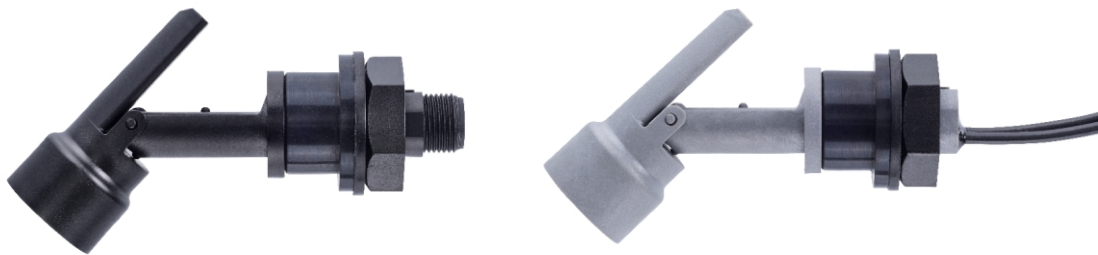


ENGLISH

Datasheet

Stock No.s: 1919486, 1919483, 1919482, 1919487, 1919485, 1919484, 1919488, 1919464

Compact, External Fitting, Low level, Low S.G. Float Switch



- Suitable for low specific gravity liquids
- Very low level sensing
- Class leading compact design
- Flying lead or M12 plug connection
- Available in Nylon, Polypropylene or PPS
- Compression seal fitting

This float switch series is designed for fitting through a tank wall from the outside, where access to the inside for fitting is not possible.

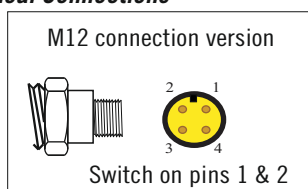
These devices are particularly suitable for detecting low levels of liquids in the bottom of tanks and containers, and for lower SG liquids. Typical applications include vending machines, commercial dishwashers and auxiliary tanks on vehicles.

They are manufactured in a variety of plastics, with a choice of gasket materials, to suit most commonly used liquids.

The switch action may be reversed by mounting the device with the float able to move upwards away from the body, instead of the more normal downwards direction.

Available with either flying leads or M12 socket for electrical connection. Cable sets with M12 plugs are also available.

Electrical Connections



Technical Specification

	Nylon	Polypropylene	Polyphenylene Sulphide (PPS)
Material	Nylon	Polypropylene	Polyphenylene Sulphide (PPS)
Colour	Black	Opaque	Grey
Temp. Range* °C	-20 / +75	-20 / +100	-10 / +120
°F	-4 / +167	-4 / +212	+14 / +248
Min. Fluid SG	0.7	0.7	0.7
Must close level (SG=1)	1mm	1mm	1mm
Must open level (SG=1)	10mm	10mm	10mm

* Temperature ratings are for wetted components

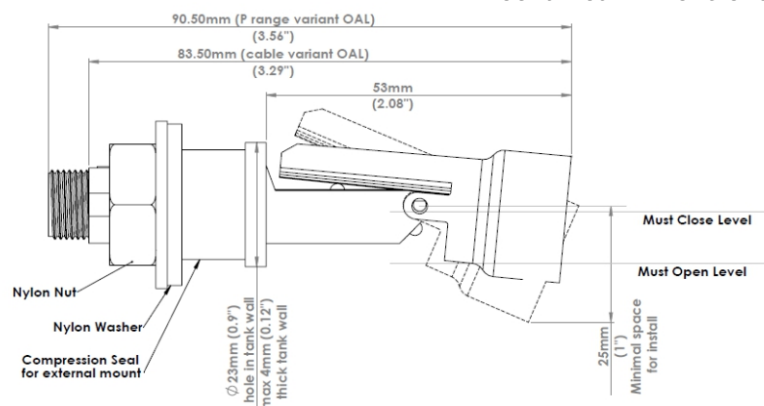
Electrical Specification

Contact Form	N/O (N/C)	
Switching Power Max	VA	25
Switching Voltage AC Max	V	240
Switching Voltage DC Max	V	120
Switching Current Max	A	0.6

All ratings are for resistive load only.

RS Stock No.s	Material	Max Power	Leadouts	Gasket
1919483	Nylon	25VA	100cm PVC 16/0.2	Silicon
1919482	Nylon	25VA	100cm PVC 16/0.2	Nitrile
1919485	PP	25VA	100cm PVC 16/0.2	Silicon
1919484	PP	25VA	100cm PVC 16/0.2	Nitrile
1919464	PPS	25VA	100cm PVC 16/0.2	Nitrile
1919486	Nylon	25VA	M12 connector	Nitrile
1919487	PP	25VA	M12 connector	Nitrile
1919488	PPS	25VA	M12 connector	Nitrile

Mechanical Dimensions



Made in the UK

Specifications are subject to change without prior notice.

LLF70 RS Pro 2019