

New!

A02ES-I series

Emergency stop switches

Distinctive features and specifications



- Approved to EN 60947-5-5, UL 508 and CSA
- Industrial range
- Pull or twist to release
- AC-12, 6A 240VAC / DC-12, 8A 24VAC
- Panel sealed to IP65
- Illuminated model

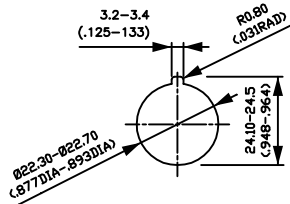
ELECTRICAL SPECIFICATIONS

- Electrical function : push to shutt off, pull or twist to release
- Current/voltage rating : AC-12, 10A 24VAC / 6A 240VAC
DC-12, 8A 24VDC
AC-15, 10A 24VAC / 3A 240VAC
DC-13, 4A 24VDC
- Electrical life : 100.000 cycles with one contact block
- Insulation resistance : 50 MΩ min.
- Dielectric strength : contact block 2.500 Vrms

ENVIRONMENTAL SPECIFICATIONS

- Front panel sealing : IP65

PANEL CUT-OUT



GENERAL SPECIFICATIONS

- Panel thickness : 6 mm (.236) max.
- Low level or mechanical life : 250.000 cycles w. one contact block
- Operating temperature : -20°C to +55°C
- Switch terminals : M3.5 screws

AGENCY APPROVALS

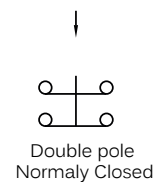
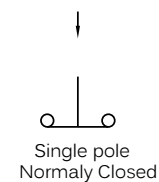
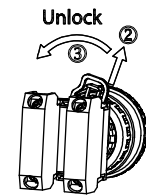


EN 60947-5-5

UL 508

CSA 22.2 No 14

MOUNTING LOCKING SYSTEM



Mounting accessories : Standard hardware supplied : 1 nut and 1 flat panel seal



Packaging unit : box of 5 pieces

The company reserves the right to change specifications without notice - Not for sale in JAPAN.

A02ES-I series

New!

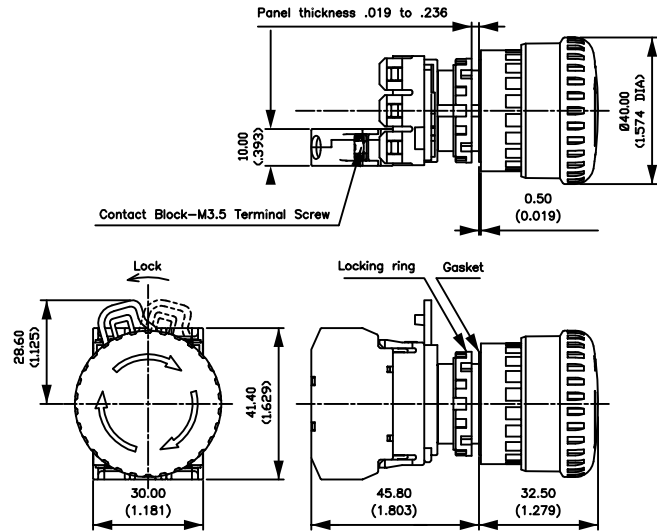
Emergency stop switches

Panel cut-out Ø 22 (.866)

Single pole - Normally closed



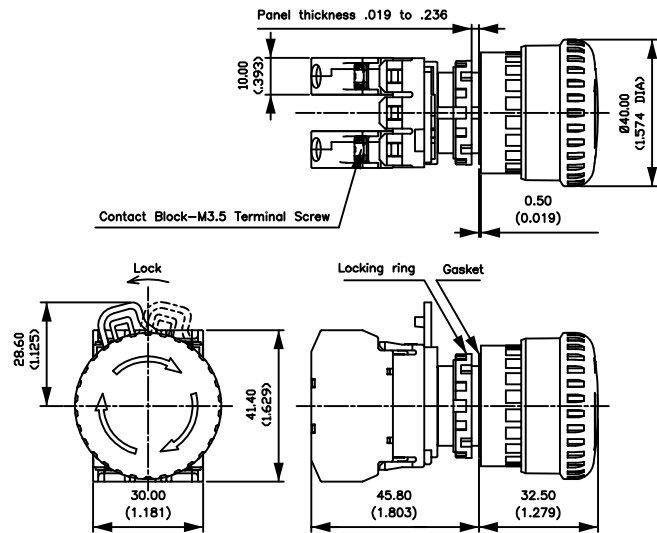
A02ESI3B101IX0



Double pole - Normally closed



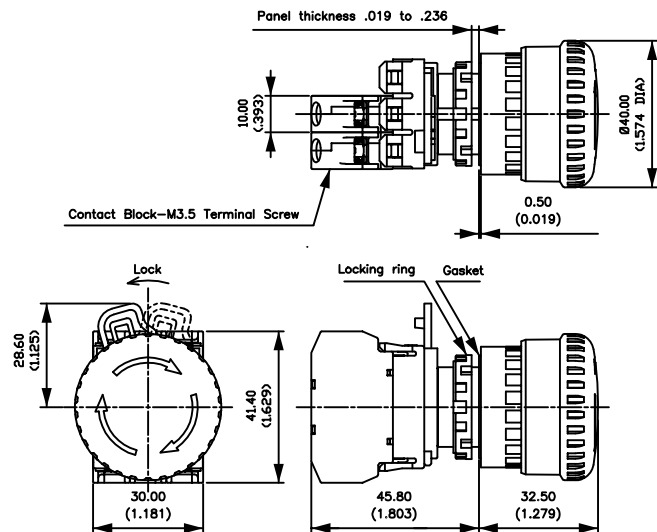
A02ESI3B102IX0



Single pole - Normally closed - illuminated



With LED 24V
A02ESI4B101IR2



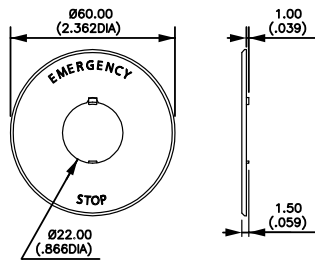
New!

A02ES-I series

Emergency stop switches

Accessories

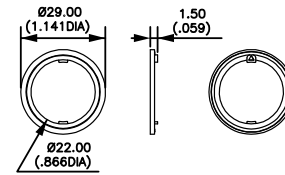
Ø 60 mm name plate



Legend "EMERGENCY STOP" is indicated outside a Ø 44 mm circle.

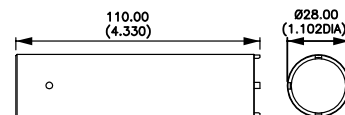
A02-U27Y

Anti-rotation ring



A02-U9ZRL

Locking ring wrench



A02-9ZT1