

Terminal Protection to IP20



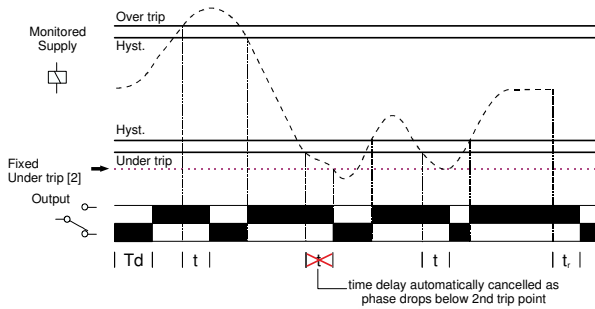
- ***NEW* 17.5mm DIN rail housing**
- **Microprocessor based**
- **True R.M.S. monitoring**
- **Monitors own supply and detects if the supply exceeds the set Under or Over voltage trip levels**
- **Single Phase operation**
- **Adjustment for Under voltage trip level**
- **Adjustment for Over voltage trip level**
- **Adjustment for Time delay (from an Under or Over voltage condition)**
- **1 x SPDT relay output 8A**
- **Green LED indication for supply status**
- **Red LED indication for relay status**

Dims: to DIN 43880
W. 17.5mm



FUNCTION DIAGRAM

Under and Over Voltage Monitoring



TECHNICAL SPECIFICATION

Supply/monitoring voltage	110, 115, 220 ¹ , 230 ¹ , 240V ¹ AC											
Frequency range:	48 – 63Hz											
Supply variation:	70 – 130% Un											
Overvoltage category:	III (IEC 60664)											
Rated impulse withstand voltage:	1.4kV (1.2/50µs) IEC 60664											
Power consumption (max.):	8VA											
Monitoring mode:	Under and Over voltage											
Trip levels:	<table border="1"> <tr> <td>Under [2]:</td> <td colspan="2">70% of Un (fixed) ± 2%</td> </tr> <tr> <td>Under:</td> <td colspan="2">75 – 95% of Un</td> </tr> <tr> <td>Over:</td> <td colspan="2">105 – 125% of Un</td> </tr> </table>			Under [2]:	70% of Un (fixed) ± 2%		Under:	75 – 95% of Un		Over:	105 – 125% of Un	
Under [2]:	70% of Un (fixed) ± 2%											
Under:	75 – 95% of Un											
Over:	105 – 125% of Un											
Measuring ranges:	Under [2]	Under	Over									
110V:	77V	83 – 105V	116 – 138V									
115V:	80V	86 – 109V	121 – 144V									
220V:	154V	165 – 209V	231 – 275V									
230V:	161V	173 – 218V	242 – 288V									
240V:	168V	180 – 228V	252 – 300V									
Hysteresis:	≈ 2% of trip level (factory set)											
Setting accuracy:	± 3%											
Repeat accuracy:	± 0.5% at constant conditions											
Immunity from micro power cuts:	<50ms											
Response time:	≈ 50ms											
Time delay (t):	0.2 – 10 sec. (± 5%)											
	Note: actual delay (t) = adjustable delay + response time											
Power on delay (Td):	≈ 1 sec. (worst case = Td x 2)											
Power on indication:	Green LED											
Relay status indication:	Red LED											
Ambient temp:	-20 to +60°C											
Relative humidity:	+95%											
Output (15, 16, 18):	SPDT relay											
Output rating:	AC1	250V 8A (2000VA)										
	AC15	250V 5A (no), 3A (nc)										
	DC1	25V 8A (200W)										
Electrical life:	≥ 150,000 ops at rated load											
Dielectric voltage:	2kV AC (rms) IEC 60947-1											
Rated impulse withstand voltage:	4kV (1.2/50µs) IEC 60664											
Housing:	Orange flame retardant UL94											
Weight:	75g											
Mounting option:	On to 35mm symmetric DIN rail to BS EN 60715 or direct surface mounting via 2 x M3.5 or 4BA screws using the black clips provided on the rear of the unit.											
Terminal conductor size	≤ 2 x 2.5mm ² solid or stranded											
Approvals:	IND. CONT. EQ. E111187 Conforms to IEC, CE, and RoHS Compliant. EMC: Immunity: EN 61000-6-2 (EN 61000-4-3 15V/m 80MHz - 2.7GHz) Emissions: EN 61000-6-4											

INSTALLATION AND SETTING

Installation work must be carried out by qualified personnel.

- BEFORE INSTALLATION, ISOLATE THE SUPPLY.
- Connect the unit as required. The Connection Diagram below shows a typical installation, whereby the supply to a load is being monitored by the Phase monitoring relay. If a fault should occur (i.e. fuse blowing), the relay will de-energise and assuming control of the external Contactor, de-energise the Contactor as well.

Applying power.

- Set the "Over %" adjustment to maximum and the "Under %" adjustment to minimum. Set the "Delay (t)" to minimum.
- Apply power and the green "Power supply" and red "Relay" LED's will illuminate, the relay will energise and contacts 15 and 18 will close. Refer to the troubleshooting table if the unit fails to operate correctly.

Setting the unit (with power applied).

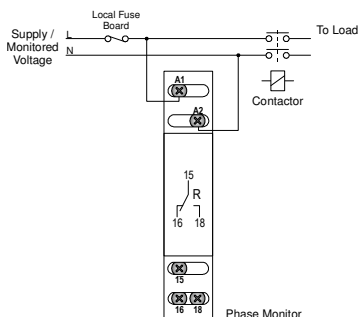
- Set the "Over %" and the "Under %" adjustments to give the required monitoring range.
- If large supply variations are anticipated, the adjustments should be set further from the nominal voltage.
- Set the "Delay (t)" adjustment as required. (Note that the delay is only effective should the supply increase above or drop below the set trip levels. However, if during an under voltage condition the supply drops below the 2nd under voltage trip level, any set time delay is automatically cancelled and the relay de-energises).
Note: If the supply voltage increases above the maximum "Over %" trip setting by approx. 5% or more, the relay will de-energise immediately.

Troubleshooting.

The table below shows the status of the unit during a fault condition.

Supply fault	Green LED	Red LED	Relay
No supply	Off	Off	De-energised
Under or Over Voltage condition (during timing)	On	Flashing	Energised for set delay (t)
Under or Over Voltage condition (after timing)	On	Off	De-energised
Supply below 70% of Un (fixed under trip level [2])	On	Off	De-energised

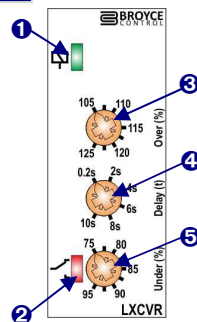
CONNECTION DIAGRAM



SETTING DETAILS

1. Power supply status (Green) LED
2. Relay output / Timing status (Red) LED
3. "Over %" trip level adjustment[^]
4. "Delay" adjustment
5. "Under %" trip level adjustment[^]

[^]scaled as % of the nominal voltage "Un"



DIMENSIONS

