

83106 Standard 831060 Part number made to order



- Double break switching
- Options for operation in stable positions
- Choice of actuators and fixing positions

Part numbers

| | Type | Function | Connections |
|----------------------|-----------------|---------------------|--------------|
| MADE TO ORDER | Standard 831060 | R (normally closed) | W1 - W2 - W3 |

Specifications

Electrical characteristics

| | |
|------------------------------|------|
| Rating nominal / 250 VAC (A) | 5 |
| Rating thermal / 250 VAC (A) | 17,5 |

Mechanical characteristics

| | |
|-------------------------------------|------------------|
| Maximum operating force (N) | 4 |
| Min. Release force (N) | 1 |
| Operating position (mm) | 11,45 ±0,2 -0,25 |
| Min. overtravel (mm) | 0,7 |
| Mechanical life (operations) | 10 ⁷ |
| Max. permitted overtravel force (N) | 20 |
| Maximum rest position (mm) | 12,75 |
| Differential travel (mm) | 0,5 ±0,2 |
| Ambient operating temperature (°C) | -40 → +85 |
| Contact gap (mm) | 0,4 x 2 |
| Weight (g) | 8 |

Additional specifications

Components

Material

- Case : polyamide UL94V2 (83 106)
- Contacts : nickel silver

Levers

- Mild steel (zinc)
- Roller : polyamide
- Adjusting screws : self-retaining
- Plates : iridescent passivated mild steel (zinc)

NB : Fixing holes for these microswitches have metal ferrules.

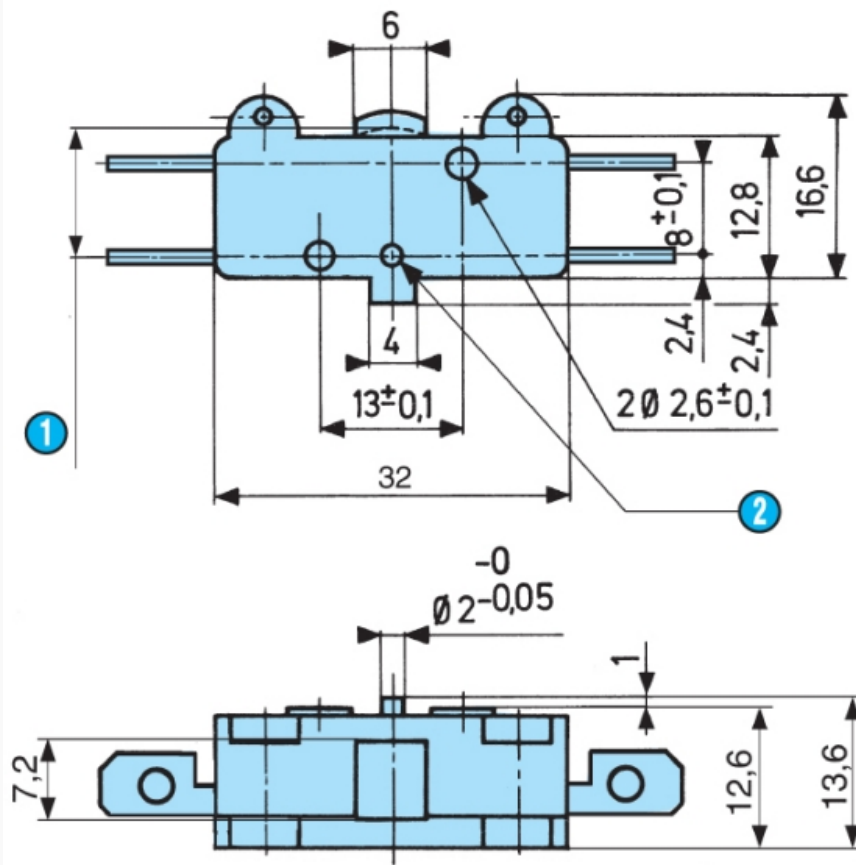
Principles



Dimensions (mm)

Product

83 106

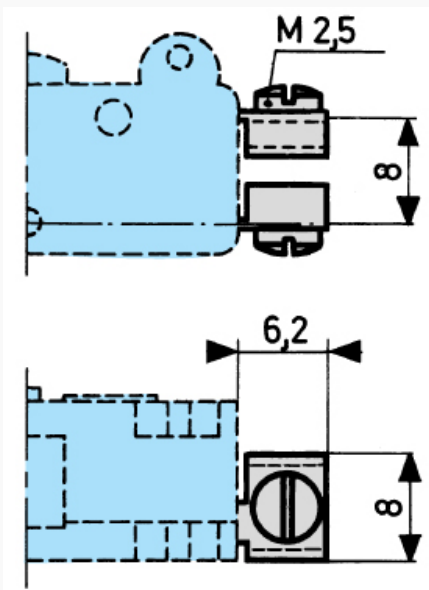


| N° | Legend |
|----|--|
| 1 | OL = 10.65 |
| 2 | $\varnothing 2^{+0.01+0.65}$ Depth 1,2 |

Dimensions (mm)

Connections

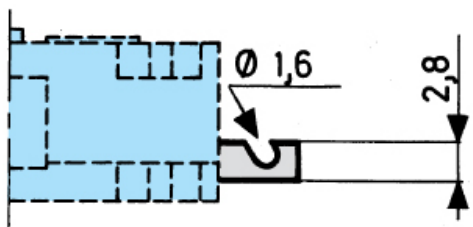
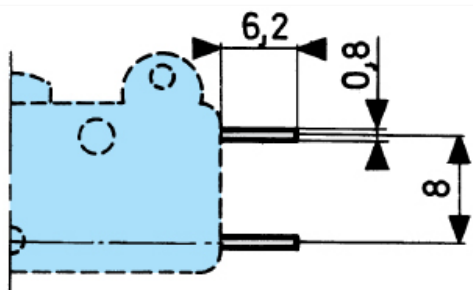
W1 screw



Dimensions (mm)

Connections

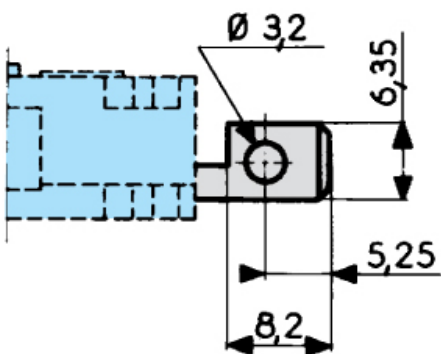
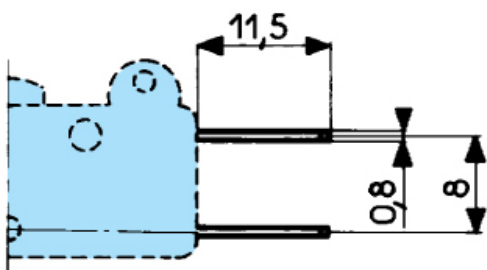
W2 solder



Dimensions (mm)

Connections

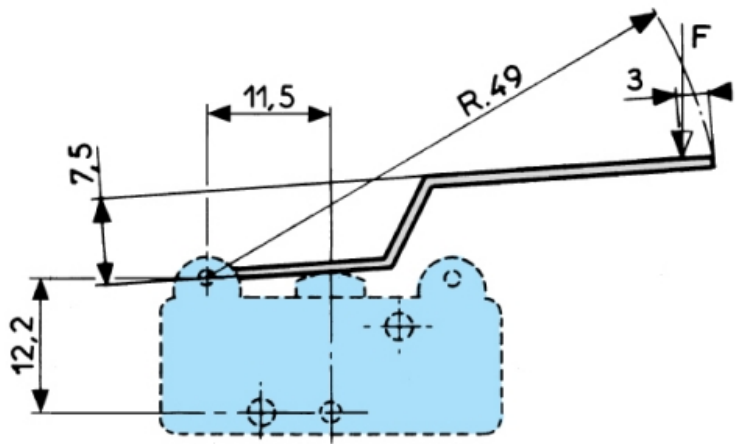
W3 for 6.35 mm clips



Dimensions (mm)

Actuators

A

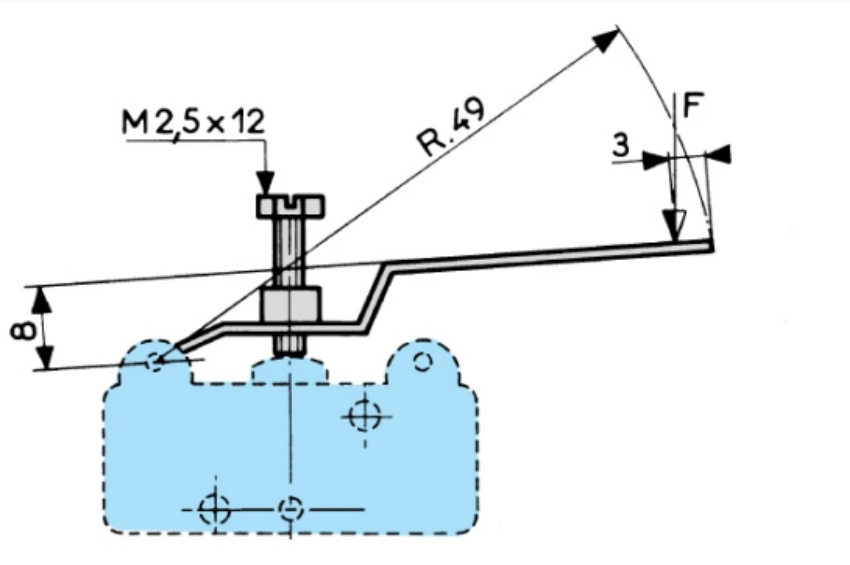


Lever cross-section 1 x 6.4 mm

Dimensions (mm)

Actuators

B

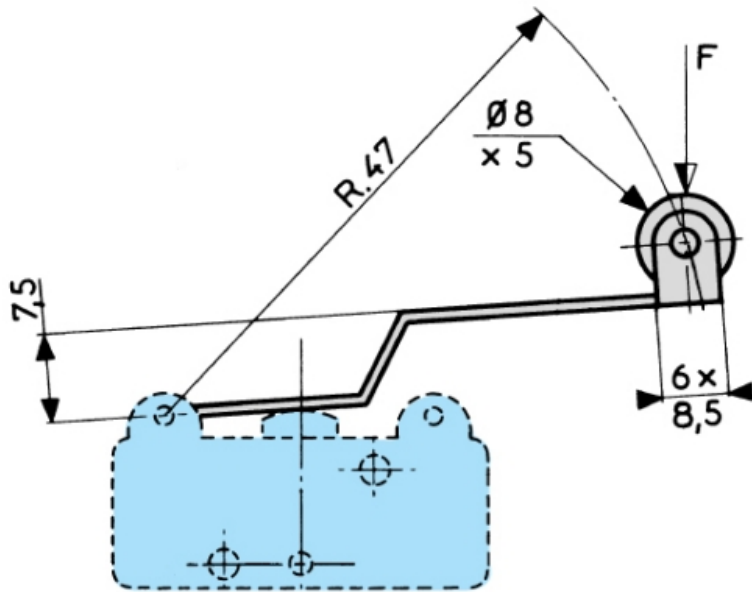


Lever cross-section 1 x 6.4 mm

Dimensions (mm)

Actuators

E

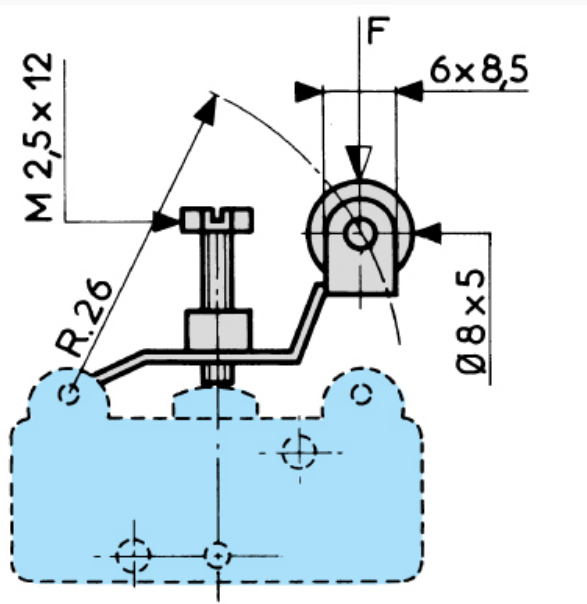


Lever cross-section 1 x 6.4 mm

Dimensions (mm)

Actuators

□

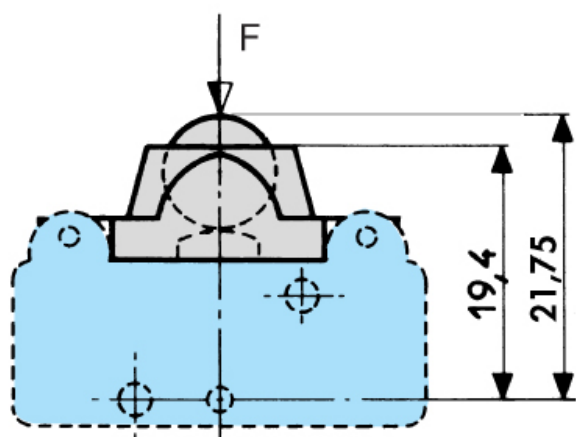


Lever cross-section 1 x 6.4 mm

Dimensions (mm)

Actuators

B9

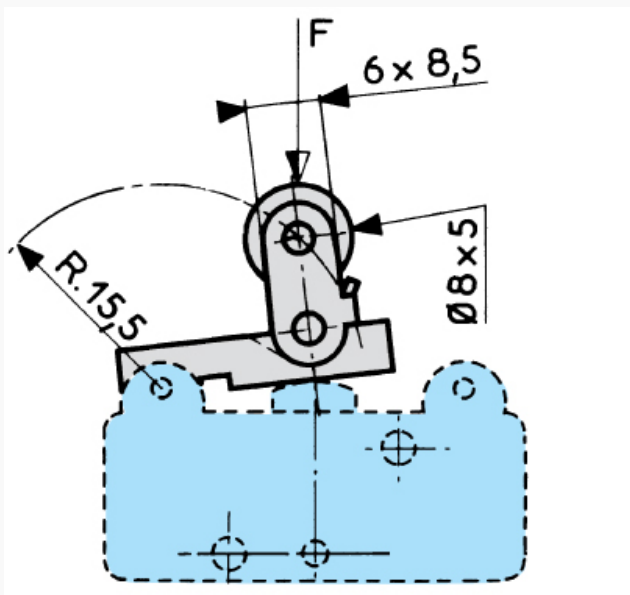


Lever cross-section 1 x 6.4 mm

Dimensions (mm)

Actuators

v3



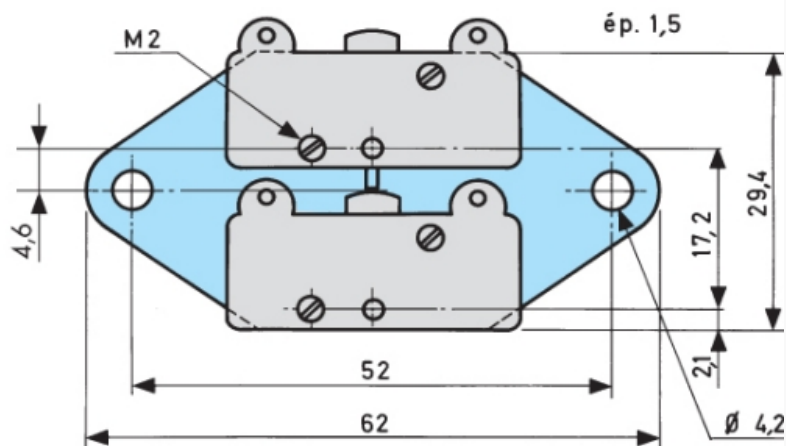
Lever cross-section 1 x 6.4 mm

Dimensions (mm)

Mounting accessories

O2

2-pole side mounting plate

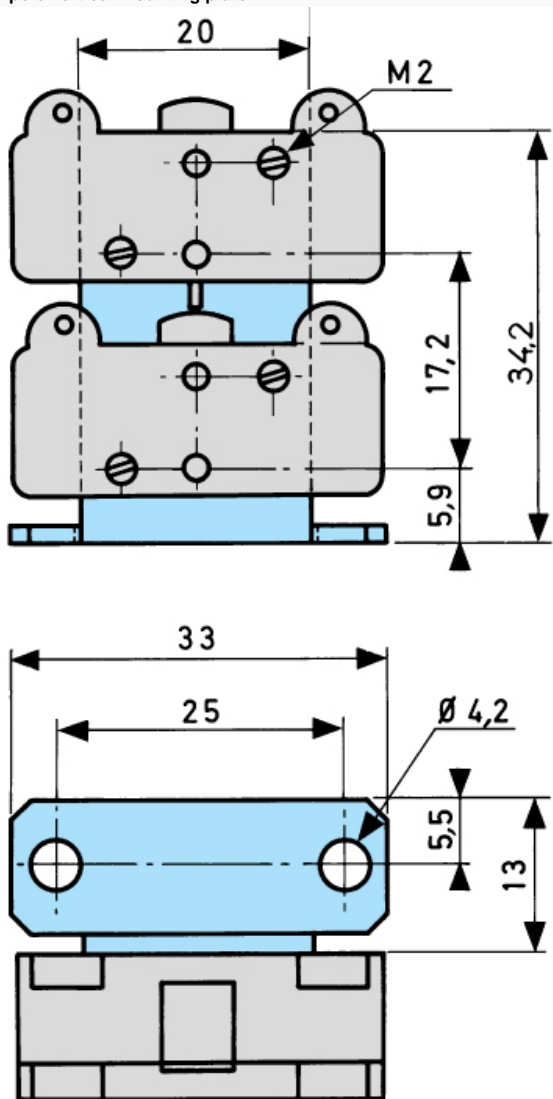


Lever cross-section 1 x 6.4 mm

Dimensions (mm)

Mounting accessories

K2
2-pole vertical mounting plate

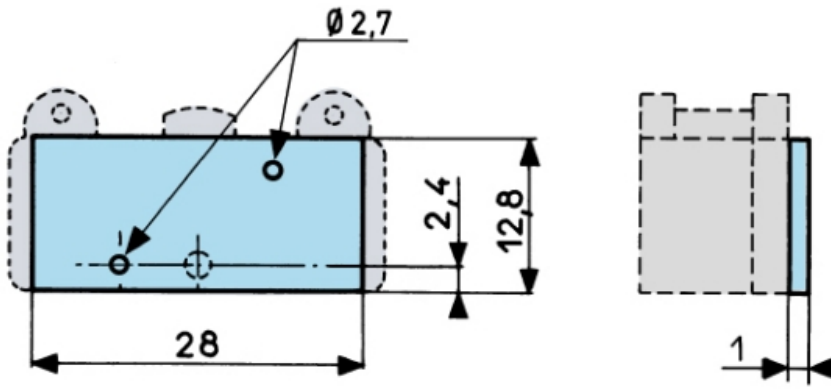


Lever cross-section 1 x 6.4 mm

Dimensions (mm)

Mounting accessories

Y
Side plate

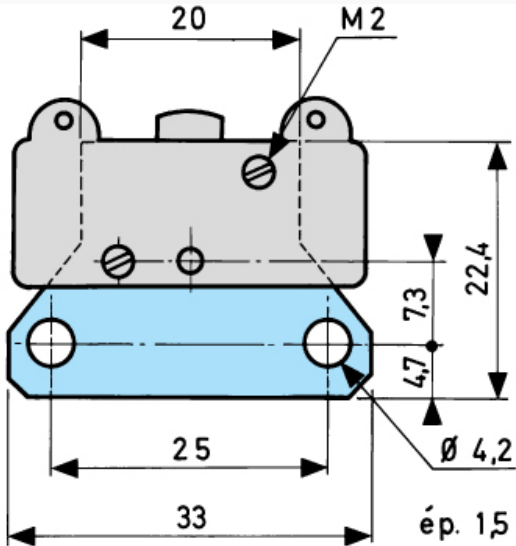


Lever cross-section 1 x 6.4 mm

Dimensions (mm)

Mounting accessories

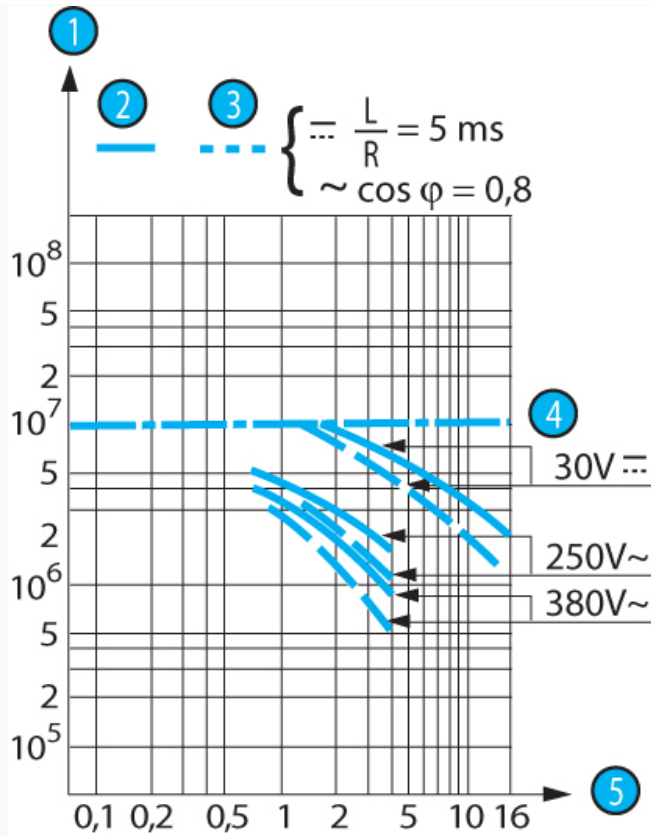
H
Horizontal single-pole mounting plate



Unless indicated, the thickness of plates is 1.5 mm

Curves

Operating curve for types 83 106 0 / 4 / 7



| N° | Legend |
|----|-----------------------|
| 1 | Number of cycles |
| 2 | Resistive circuit |
| 3 | Inductive circuit |
| 4 | Mechanical life limit |
| 5 | Current in Amps |

Connections

Actuators and fixing positions

| Actuators and fixing positions | | | | | | | |
|--------------------------------|----|----------|----------|----------|-----------|----------|----------|
| Actuators | | A R49 | B R47 | E R47 | Q | V3 R15.5 | B9 |
| | | | | | | | |
| Operating force - max. | N | 1.2 | 1.2 | 1.2 | 2.8 | 4 | 4 |
| Release force - min. | N | 0.25 | 0.25 | 0.2 | 0.45 | 0.8 | 1 |
| Pre-travel - max. | mm | 6.2 | 6.2 | 6.2 | 3.2 | 1.45 | 1.5 |
| Differential travel | mm | 2.1 ±0.3 | 2.1 ±0.3 | 2.1 ±0.3 | 1.05 ±0.4 | 0.5 ±0.2 | 0.5 ±0.2 |
| Total travel max. | mm | 7.5 | 8.4 | 7.5 | 4.5 | 1.9 | 1.9 |

Except where otherwise indicated, the flat and roller levers are mounted as shown in the dimensional drawings (mounted on the left).

| Mounting accessories | | | |
|----------------------|---|-------------------------------|-----------------------------------|
| Y Side plate | H Horizontal single-pole mounting plate | Q2 2-pole side mounting plate | K2 2-pole vertical mounting plate |
| | | | |

Other information

Mounting - Operation

See basic technical concepts

Product adaptations



- Special levers
- Reinforced spring
- Special contacts
- Approvals : UL - cUL