

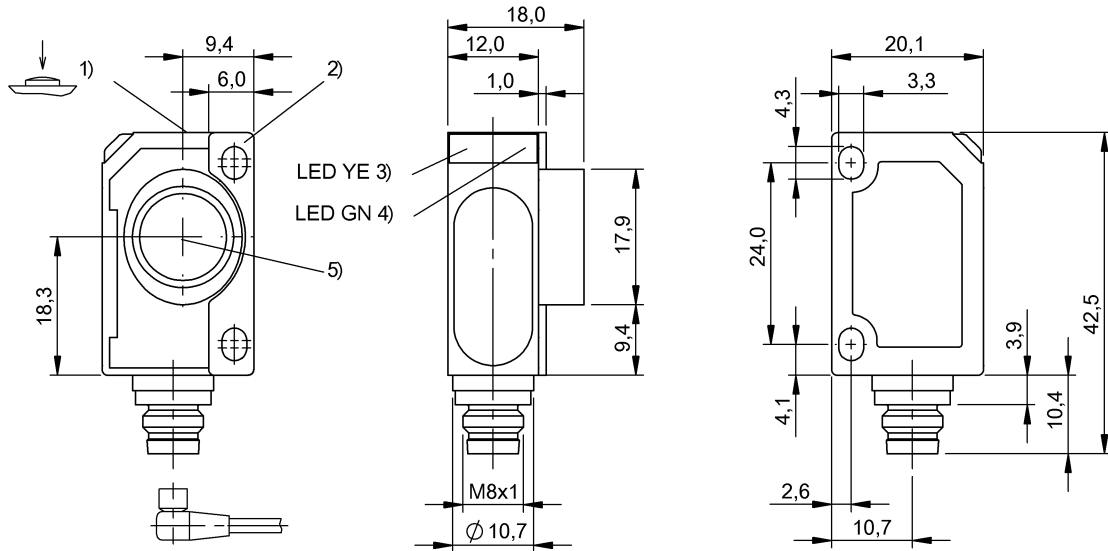
BUS R06K1-PPX-12/070-S75G
Ordering code: BUS0059

Ultrasonic sensor
R06

Connector, M8x1-S75
Working range 120...1000 mm
PNP (1x), antivalent

BALLUFF

sensors worldwide



Characteristic data

Design	Block, 90° connection
Short-circuit protected	yes
Protected against polarity reversal	yes
Setting	Factory setting (reset), Key disable on/off, Mode, NO/NC, Switching distance, 2 values

Electrical data

Operating voltage	20...30 V DC
Rated operating voltage U _e DC	24.0 V
Switching output	PNP (1x)
Hysteresis H max.	2 mm
Switching frequency f	11 Hz
Response time max.	42 ms
Output current max.	200 mA
Ultrasonic frequency	300 kHz
Synchronisation	ext., any number of sensors

Mechanical data

Resolution	0,037 mm
Connector type	M8x1-S75
Sensing surface material	PU foam, epoxy resin, glass
Housing material	Messing, PBT
Resolution	0,037 mm
Repeat accuracy	±0.15 %
Operating temperature min.	-25 °C
Operating temperature max.	+70 °C
Cover material	PBT
Range min.	120 mm
Range max.	1000 mm
Temperature compensation	no

Basic data

Enclosure Type per IEC 60529	IP67
------------------------------	------

