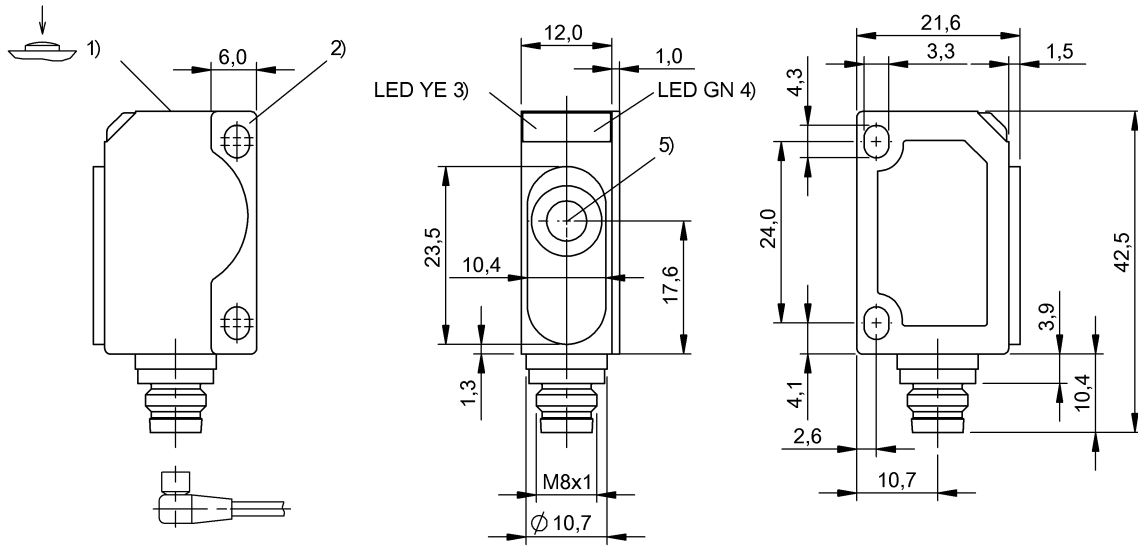


BUS R06K1-XA-02/015-S75G
Ordering code: BUS004K

Ultrasonic sensor
R06

Connector, M8x1-S75
Working range 20...250 mm
0...10 V

BALLUFF
sensors worldwide



Characteristic data

Design Block, 90° connection
Short-circuit protected yes
Protected against polarity reversal yes
Setting Output curve rise/fall, Characteristic curve window, Key disable on/off, Factory setting (reset)

Electrical data

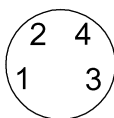
Operating voltage 20...30 V DC
Rated operating voltage U_e DC 24.0 V
Analogue output Analog U
Output characteristic Linear rising/falling
Response time max. 24 ms
Ultrasonic frequency 380 kHz
Synchronisation ext., any number of sensors

Mechanical data

Resolution 0,056 mm
Connector type M8x1-S75
Sensing surface material PU foam, epoxy resin, glass
Housing material Messing, PBT
Resolution 0,056 mm
Repeat accuracy ±0.15 %
Operating temperature min. -25 °C
Operating temperature max. +70 °C
Cover material PBT
Range min. 20 mm
Range max. 250 mm
Temperature compensation yes

Basic data

Enclosure Type per IEC 60529 IP67



BUS R06K1-XA-02/015-S75G

Ordering code: BUS004K

Ultrasonic sensor
R06

Connector, M8x1-S75
Working range 20...250 mm
0...10 V

BALLUFF

sensors worldwide

