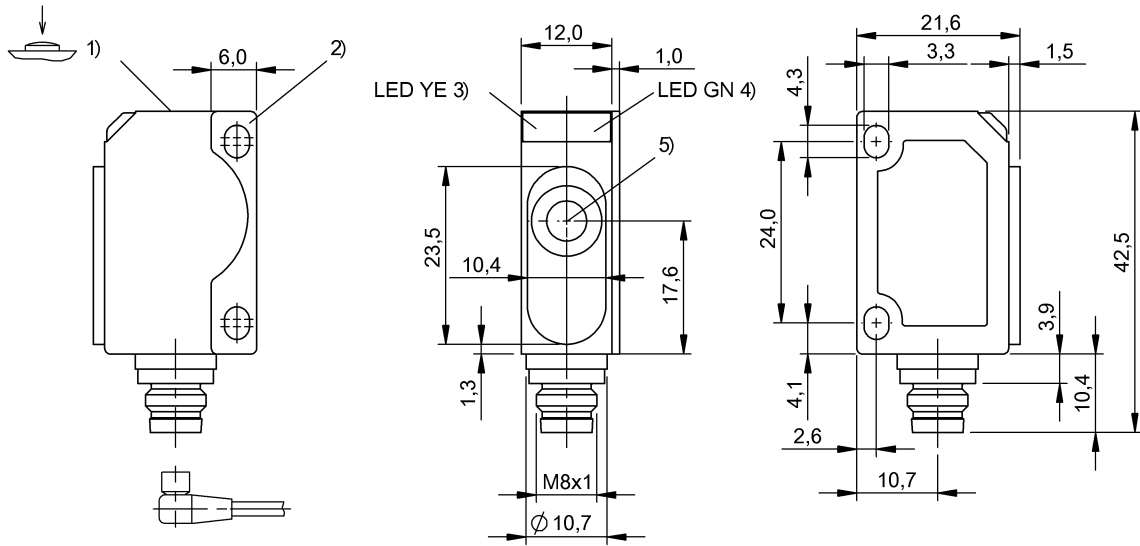


**BUS R06K1-PPX-02/015-S75G**  
**Ordering code: BUS004C**

Ultrasonic sensor  
R06

Connector, M8x1-S75  
Working range 20...250 mm  
PNP (1x), antivalent

**BALLUFF**  
*sensors worldwide*



**Characteristic data**

Design	Block, 90° connection
Short-circuit protected	yes
Protected against polarity reversal	yes
Setting	Factory setting (reset), Key disable on/off, Mode, NO/NC, Switching distance, 2 values

**Electrical data**

Operating voltage	20...30 V DC
Rated operating voltage U <sub>e</sub> DC	24.0 V
Switching output	PNP (1x)
Hysteresis H max.	2 mm
Switching frequency f	25 Hz
Response time max.	24 ms
Output current max.	200 mA
Ultrasonic frequency	380 kHz
Synchronisation	ext., any number of sensors

**Mechanical data**

Resolution	0,056 mm
Connector type	M8x1-S75
Sensing surface material	PU foam, epoxy resin, glass
Housing material	Messing, PBT
Resolution	0,056 mm
Repeat accuracy	±0.15 %
Operating temperature min.	-25 °C
Operating temperature max.	+70 °C
Cover material	PBT
Range min.	20 mm
Range max.	250 mm
Temperature compensation	no

**Basic data**

Enclosure Type per IEC 60529	IP67
------------------------------	------

