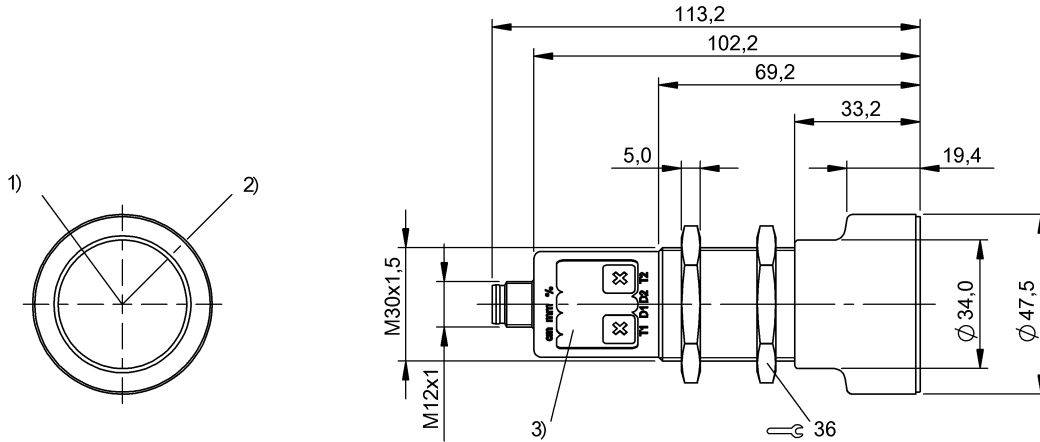


BUS M30M1-XC-35/340-S92K
Ordering code: BUS003T

Ultrasonic sensor
M30

Connector, M12x1-S92
Working range 350...5000 mm
0...10 V / 4...20 mA

BALLUFF
sensors worldwide



Characteristic data

Design
Short-circuit protected
Protected against polarity reversal
Setting

Cylinder, converter, straight
yes
yes
Analog output U/I/Auto, Characteristic curve window, Detection range (3 levels), Factory setting (reset), Filter strength (10 levels), Foreground suppression range, Hysteresis, Key disable on/off, Measured value filter, Mode, Multiplex sensor address, Multiplex speed, NO/NC, Output curve rise/fall, Response delay 0 to 20 s, Segment displ. bright/dark/off, Segment display mode, Sensor calibration, Switching distance, 2 values, Synchronization on/off, Synchronous/Multiplex mode, Teach-in mode display/button, Temperature comp. on/off

Rated operating voltage Ue DC 24.0 V
Analogue output Analog U/I
Output characteristic Linear rising/falling
Response time max. 172 ms
Ultrasonic frequency 120 kHz
Synchronisation internal, max. 10 sensors

Mechanical data

Resolution 0,180 mm
Connector type M12x1-S92
Sensing surface material PU foam, epoxy resin, glass
Housing material Brass, PBT, TPU
Resolution 0,180 mm
Repeat accuracy ±0.15 %
Operating temperature min. -25 °C
Operating temperature max. +70 °C
Cover material PBT
Range min. 350 mm
Range max. 5000 mm
Temperature compensation yes, can be disengaged

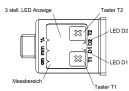
Electrical data

Operating voltage

9...30 V DC

Basic data

Enclosure Type per IEC 60529 IP67



BUS M30M1-XC-35/340-S92K
Ordering code: BUS003T

Ultrasonic sensor
M30

Connector, M12x1-S92
Working range 350...5000 mm
0...10 V / 4...20 mA

BALLUFF
sensors worldwide

