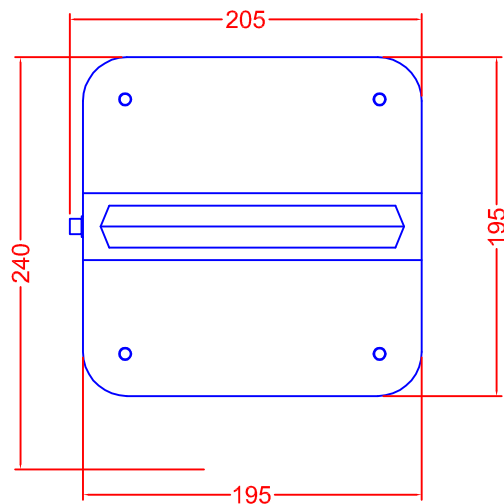
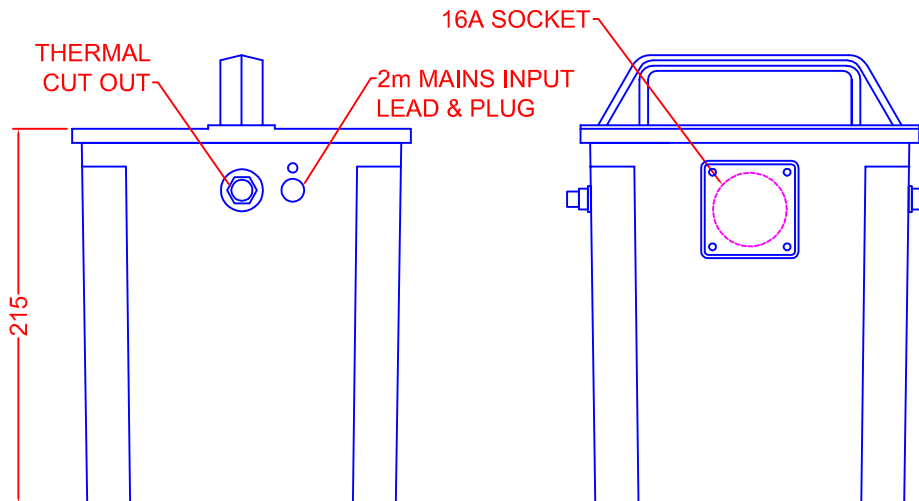
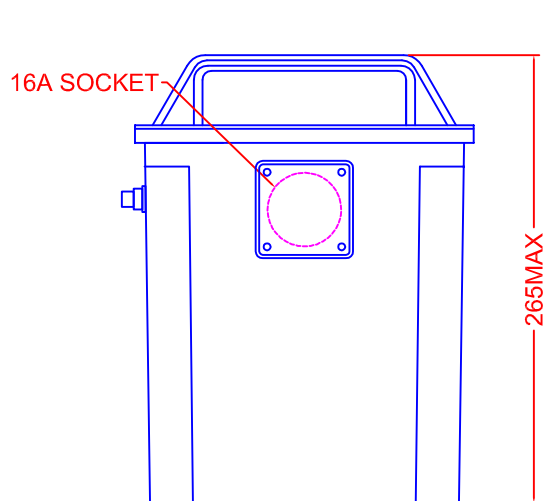


TOLERANCES (UNLESS SPECIFIED)	
0-10mm	±0.2mm
10.1-50mm	±0.5mm
50.1-250mm	±1.0mm
>250mm	±2.0mm



PORTABLE ISOLATION TRANSFORMER
INPUT: 230V 50Hz
OUTPUT: 230V
RATING: 3kVA INTERMITTENT
 5 MINS ON, 15 MINS OFF
THERMAL CUT-OUT: 10A
OUTPUT SOCKET: 2x16A 'SCHUKO' CEE7/3
 RATED IP44
INPUT PLUG: 16A 'SCHUKO' CEE7/7
ENCLOSURE: GRP
 RATED IP55
COLOUR: BLUE

REV	
4	
3	
2	
1	

CARROLL & MEYNELL
 TRANSFORMERS LIMITED
 TEL: 01642 617406 FAX: 01642 614178
 enquiries@carroll-meynell.com

TITLE
ISOLATION TRANSFORMER
CM3000/230/EURO
 ALL DIMENSIONS IN mm

DRAWN	PROJECTION	DATE	SCALE
GB		31/08/17	NTS
DRAW No	REV	PAGE	
10023	0	1/1	