

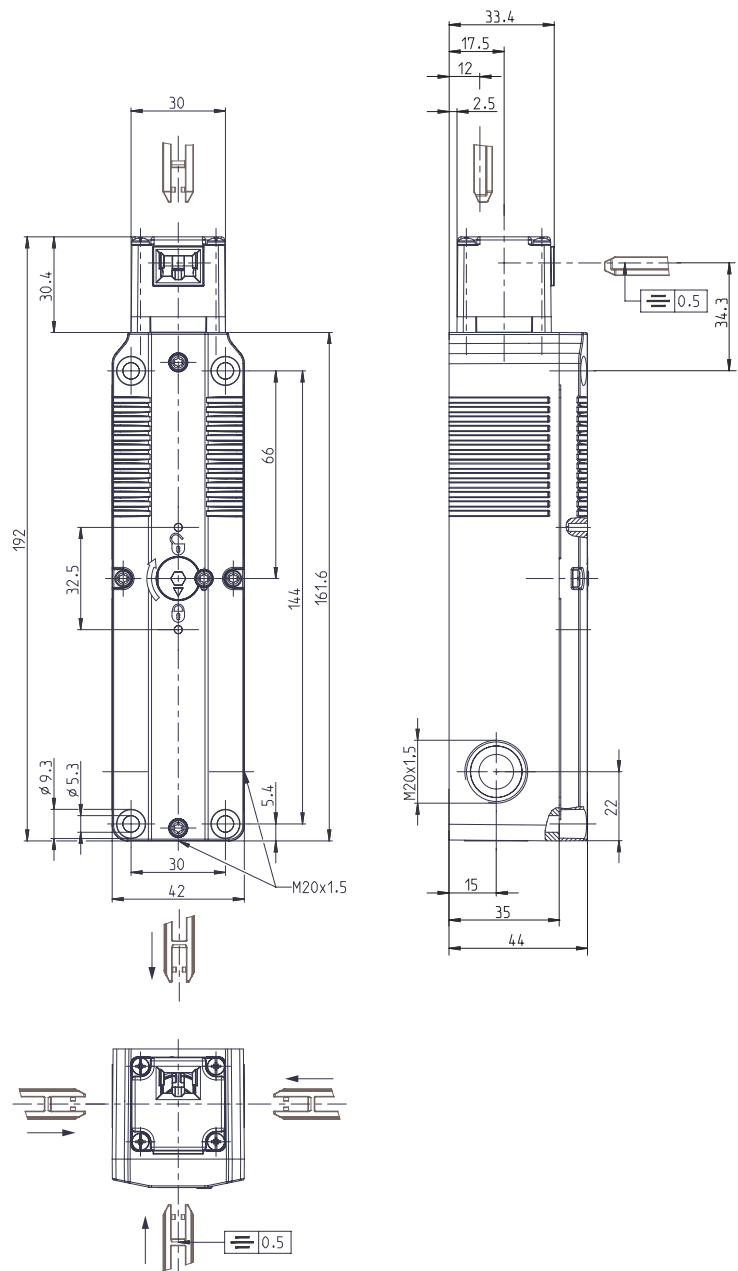
## Safety switch Series SLC

Description **SLC-F-024-20/20-R4**

Article number **601820007**

<b>Position monitoring</b>	
<p>Actuator inserted Protective device interlocked and guard locked</p>  <p>without current</p>	<p>Actuator inserted Protective device interlocked and not guard locked</p>  <p>with current</p>
 <p>with or without current</p>	

The actuator is not included in the scope of delivery. It can only be purchased in conjunction with the safety switch.



<b>Electrical data</b>	
Protection class	II, totally insulated
<b>Contact elements</b>	
Rated insulation voltage	$U_i$ 250 V
Rated impulse withstand voltage	$U_{imp}$ 2,5 kV
Rated operational voltage	$U_e$ 240 V AC / 24 V AC/DC
Conv. thermal current	$I_{the}$ 5 A
Utilization category acc. to IEC	AC-15, $U_e / I_e$ 240 V / 1,5 A DC-13, $U_e / I_e$ 24 V / 1,5 A; 250 V / 0,11 A
Utilization category acc. to UL / CSA	B300 R300 general use 240 V / 1,5 A general use M12 connector 24 V / 1,5 A
Direct opening action	⊕ according to IEC/EN 60947-5-1, Annex K
Short-circuit protective device	4 A gG
Rated conditional short-circuit current	400 A
<b>Electro magnet</b>	
Duty cycle	100 % ED (at E1; E2)
Temperature class	F (155 °C)
Permanent power consumption	6,7 VA (W)
Switch operations permanent	600 / h
Operating voltage	24 V AC / DC (+10 % / -15 %)

<b>Mechanical data</b>	
Enclosure	Thermoplastic, glass fibre reinforced (UL 94-V0)
Cover	Thermoplastic, glass fibre reinforced (UL 94-V0)
Actuating head	Thermoplastic, glass fibre reinforced / Zn-GD
Actuator	Separate actuator
Minimum actuating radius	$R_{min}$ see separate actuators data sheet
Velocity for actuating	$V_{max}$ 0,5 m/s
Extraction force	≥ 27 N
Interlocking principle	Spring force
Unlocking	a) magnetic force b) auxiliary release from front and back side
Hold on force	$F_{Zh}$ 1500 N (EN ISO 14119)
Ambient air temperature	-25 °C ... +55 °C
Contact type	Interlock: 2 NC Guard lock: 2 NC
Switching principle	4 slow make and break contact elements
Mechanical life	1 x 10 <sup>6</sup> switching cycles
Assembly	4 x M5
Connection	Screw connection
Conductor cross-sections	0,34 ... 1,5 mm <sup>2</sup> flexible
Cable entrance	3 x M20 x 1,5
Weight	≈ 0,484 kg
Installation position	operator definable
Protection type	IP67 acc. to IEC/EN 60529 ; (UL 50 E / CSA C22.2) Type 6 indoor use

<b>ID for safety engineering</b>	
B10d	2 x 10 <sup>6</sup> cycles

Standards	
	DIN EN 60947-5-1
	UL 508 18th Edition, CSA-C22.2 No.14-18
	GS-ET-19 (DGUV)
	DIN EN ISO 14119
	DIN EN ISO 13849-1

EU Conformity	
	acc. to directive 2006/42/EC (Safety-of-Machinery-Directive)

Approvals	
	DGUV (in preparation)
	cCSA <sub>US</sub> B300 (same polarity) / R300 (in preparation)
	CCC

Notes	
<p>The degree of protection (IP code) specified applies solely to a property closed cover and the use of an equivalent cable gland with adequate cable.</p> <p>The switch may not be used as a mechanical stop.</p> <p>In the event of a power failure, the guard remains locked.</p>	