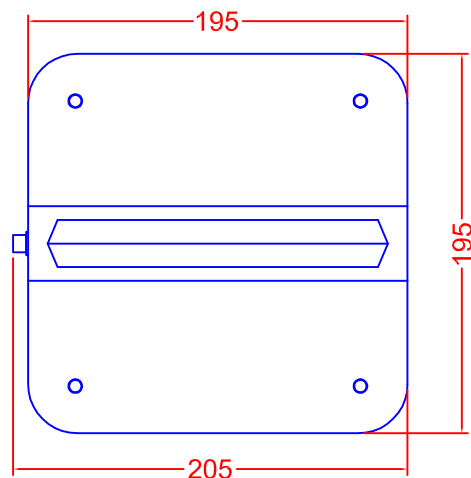
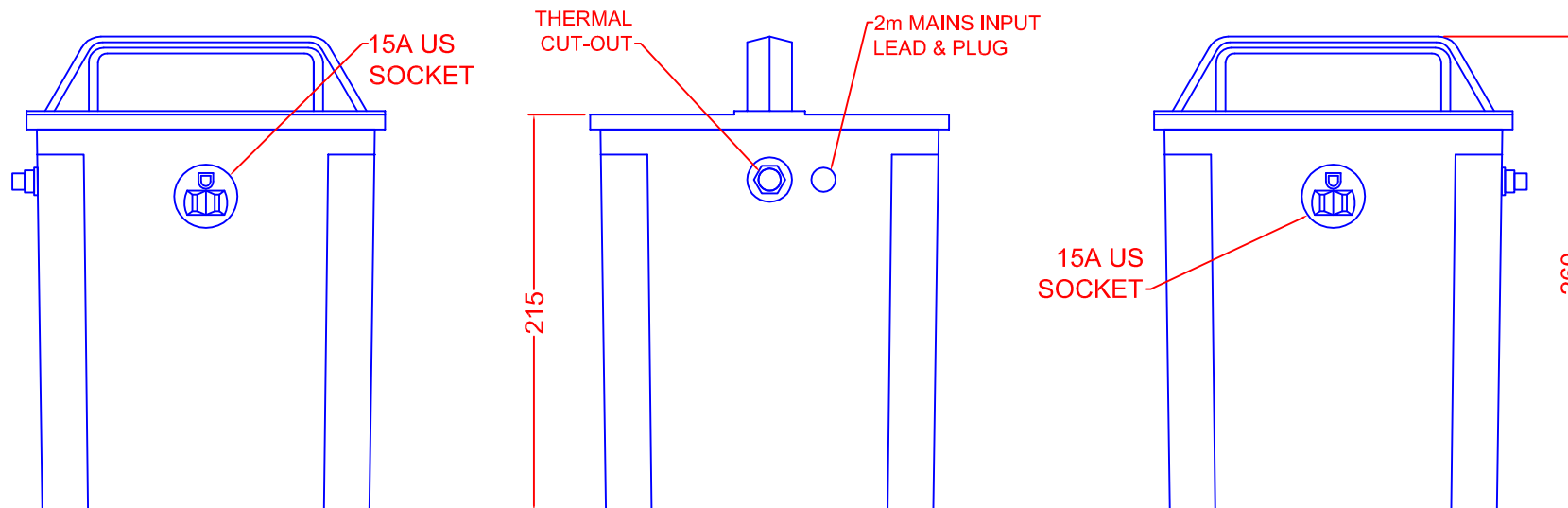


TOLERANCES (UNLESS SPECIFIED)	
0-10mm	±0.2mm
10.1-50mm	±0.5mm
50.1-250mm	±1.0mm
>250mm	±2.0mm



**PORTABLE AUTO TRANSFORMER**  
 TYPE: STEP DOWN AUTO  
 INPUT: 230V 50Hz  
 OUTPUT: 115V  
 RATING: 3KVA CONTINUOUS  
 THERMAL CUT-OUT: 12A  
 OUTPUT SOCKET: 2x15A AMERICAN  
 NEMA CONFIGURATION 5-15  
 INPUT PLUG: 13A BS1363  
 ENCLOSURE: GRP  
 RATED IP55  
 COLOUR: WHITE

REV	
4	
3	
2	
1	

**CARROLL & MEYNELL**  
 TRANSFORMERS LIMITED  
 TEL: 01642 617406 FAX: 01642 614178  
 enquiries@carroll-meynell.com

TITLE  
**PORTABLE  
 AUTOTRANSFORMER  
 CM3000/A/US**  
 ALL DIMENSIONS IN mm

DRAWN	PROJECTION	DATE	SCALE
SH		26/4/8	NTS
DRAW No	REV	PAGE	
3271	0	1/1	