

Type 8045

Insertion electromagnetic flowmeter
Magnetisch-induktives Durchfluss-Messgerät, Insertion
Débitmètre électromagnétique à insertion



Operating Instructions

Bedienungsanleitung
Manuel d'utilisation

We reserve the right to make technical changes without notice.
Technische Änderungen vorbehalten.
Sous réserve de modification technique.

© Bürkert SAS, 2012 - 2014

Operating Instructions 1408/2_EU-ML 00559778 / Original FR

1.	ABOUT THE MANUAL	4
1.1.	Symbols used	4
1.2.	Definition of the word "device"	4
2.	INTENDED USE	5
3.	BASIC SAFETY INFORMATION	6
4.	GENERAL INFORMATION	8
4.1.	Manufacturer's address and international contacts	8
4.2.	Warranty conditions	8
4.3.	Information on the Internet	8
5.	DESCRIPTION	9
5.1.	Area of application	9
5.2.	General description	9
5.3.	Description of the name plate	9
5.4.	Available versions	10
6.	TECHNICAL DATA	11
6.1.	Conditions of use	11
6.2.	Conformity to standards and directives	11
6.3.	General technical data	11
6.3.1.	Mechanical data	11
6.3.2.	General data	14
6.3.3.	Electrical data	15
6.3.4.	Electrical connection	16
7.	INSTALLATION AND COMMISSIONING	17
7.1.	Safety instructions	17
7.2.	Installation onto the pipe	18
7.2.1.	Recommandations for installing the 8045 on the pipe	18
7.2.2.	Installation into the pipe of a 8045 with a G2" nut	20
7.2.3.	Installation into the pipe of a 8045 with a clamp connection	20
7.3.	Wiring	21
7.3.1.	Equipotentiality of the installation	22

7.3.2.	Mounting the cable clamp.....	23
7.3.3.	Terminal assignment and use of the selectors.....	24
7.3.4.	Wiring the AO1 current output.....	25
7.3.5.	Wiring the DO1 transistor output.....	26
7.3.6.	Wiring the DI1 digital input.....	26
7.3.7.	Wiring the DO2 and DO3 relay outputs.....	26
8.	OPERATING AND FUNCTIONS.....	27
8.1.	Safety instructions.....	27
8.2.	Operating levels of the device.....	27
8.3.	Description of the navigation keys and the status LEDs.....	29
8.4.	Using the navigation keys.....	30
8.5.	Details of the Process level.....	30
8.6.	Details of the Parameters menu.....	31
8.6.1.	Choosing the display language.....	32
8.6.2.	Choosing the flow rate units, the number of decimals and the units of the totalizers.....	32
8.6.3.	Entering the K factor of the fitting used:.....	34
8.6.4.	Determining the fitting K factor using a teach-in procedure.....	34
8.6.5.	Configuring the outputs (general diagram).....	37
8.6.6.	Configuring the AO1 current output.....	38
8.6.7.	Configuring the transistor output DO1 as a pulse output.....	39
8.6.8.	Configuring the transistor output DO1 to switch a load depending on two threshold values.....	40
8.6.9.	Configuring the transistor output DO1 to switch a load when the fluid direction changes ..	42
8.6.10.	Configuring the transistor output DO1 to switch a load when a warning message is emitted by the device.....	43
8.6.11.	Configuring the DO2 and DO3 relay outputs.....	43
8.6.12.	Configuring the DI1 digital input.....	46
8.6.13.	Configuring the filter of the measured flow rate.....	49
8.6.14.	Resetting both totalizers.....	50
8.6.15.	Configuring the electric network frequency.....	51
8.6.16.	Parameterizing the cut-off flow rate.....	51
8.6.17.	Setting the brightness of the display and how long it stays ON, or deactivating the backlight.....	52
8.7.	Details of the Test menu.....	53
8.7.1.	Adjusting the current output.....	54

8.7.2.	Calibrating the flow zero point	55
8.7.3.	Checking the outputs behaviour.....	56
8.7.4.	Setting the Kw coefficient of the flow sensor.....	57
8.7.5.	Monitoring the flow rate in the pipe.	57
8.8.	Details of the Information menu.....	59
9.	MAINTENANCE AND TROUBLESHOOTING.....	60
9.1.	Safety instructions	60
9.2.	Cleaning the device.....	60
9.3.	Cleaning the flow sensor.....	60
9.4.	Replacing the seal on a 8045 with G2" nut.....	61
9.5.	If you encounter problems	62
9.5.1.	Resolution of problems when the device status LED is OFF	62
9.5.2.	Resolution of problems without message generation but device status LED ON.....	62
9.5.3.	Resolution of problems without message generation and device status LED green.....	64
9.5.4.	Resolution of problems without message generation and device status LED red	65
9.5.5.	Resolution of problems without message generation and device status LED orange.....	66
10.	SPARE PARTS AND ACCESSORIES.....	67
11.	PACKAGING, TRANSPORT.....	68
12.	STORAGE.....	68
13.	DISPOSAL OF THE PRODUCT.....	68

1. ABOUT THE MANUAL

This manual describes the entire life cycle of the device. Please keep this manual in a safe place, accessible to all users and any new owners.

This manual contains important safety information.

Failure to comply with these instructions can lead to hazardous situations.

- This manual must be read and understood.

1.1. Symbols used



DANGER

Warns against an imminent danger.

- Failure to observe this warning can result in death or in serious injury.



WARNING

Warns against a potentially dangerous situation.

- Failure to observe this warning can result in serious injury or even death.



ATTENTION

Warns against a possible risk.

- Failure to observe this warning can result in substantial or minor injuries.

NOTE

Warns against material damage.

- Failure to observe this warning may result in damage to the device or system.



Indicates additional information, advice or important recommendations.



Refers to information contained in this manual or in other documents.

→ Indicates a procedure to be carried out.

1.2. Definition of the word "device"

The word "device" used within this manual refers to the flowmeter type 8045.

2. INTENDED USE

Use of the device that does not comply with the instructions could present risks to people, nearby installations and the environment.

- The 8045 flowmeter is intended exclusively to measure flow rate in liquids.
- This device must be protected against electromagnetic interference, ultraviolet rays and, when installed outdoors, the effects of climatic conditions.
- This device must be used in compliance with the characteristics and commissioning and use conditions specified in the contractual documents and in these operating instructions.
- Requirements for the safe and proper operation of the device are proper transport, storage and installation, as well as careful operation and maintenance.
- Only use the device as intended.

→ Observe any existing restraints when the device is exported.

3. BASIC SAFETY INFORMATION

This safety information does not take into account:

- any contingencies or occurrences that may arise during installation, use and maintenance of the devices.
- the local safety regulations for which the operating company is responsible including the staff in charge of installation and maintenance.



Danger due to high pressure in the installation.

- Stop the circulation of fluid, cut off the pressure and drain the pipe before loosening the process connections.

Danger due to electrical voltage.

- Shut down the electrical power source of all the conductors and isolate it before carrying out work on the system.
- Observe all applicable accident protection and safety regulations for electrical equipment.

Danger due to high temperatures of the fluid.

- Use safety gloves to handle the device.
- Stop the circulation of fluid and drain the pipe before loosening the process connections.

Danger due to the nature of the fluid.

- Respect the prevailing regulations on accident prevention and safety relating to the use of aggressive fluids.



Various dangerous situations

To avoid injury take care:

- not to use the device for the measurement of gas flow rates.
- not to use the device in explosive atmospheres.
- not to use the device in an environment incompatible with the materials it is made of.
- not to use fluid that is incompatible with the materials the device is made of.
- not to subject the device to mechanical loads (e.g. by placing objects on top of it or by using it as a step).
- not to make any external or internal modifications to the device.
- to prevent any unintentional power supply switch-on.
- to ensure that installation and maintenance work are carried out by qualified, authorised personnel in possession of the appropriate tools.
- to guarantee a defined or controlled restarting of the process, after a power supply interruption.
- to use the device only if in perfect working order and in compliance with the instructions provided in these operating instructions.
- to observe the general technical rules when installing and using the device.

NOTE**The device may be damaged by the fluid in contact with.**

- Systematically check the chemical compatibility of the component materials of the device and the fluids likely to come into contact with it (for example: alcohols, strong or concentrated acids, aldehydes, alkaline compounds, esters, aliphatic compounds, ketones, halogenated aromatics or hydrocarbons, oxidants and chlorinated agents).

NOTE**Elements / Components sensitive to electrostatic discharges**

- This device contains electronic components sensitive to electrostatic discharges. They may be damaged if they are touched by an electrostatically charged person or object. In the worst case scenario, these components are instantly destroyed or go out of order as soon as they are activated.
- To minimise or even avoid all damage due to an electrostatic discharge, take all the precautions described in the EN 61340-5-1 and 5-2 norms.
- Also ensure that you do not touch any of the live electrical components.

4. GENERAL INFORMATION

4.1. Manufacturer's address and international contacts

To contact the manufacturer of the device, use following address:

Bürkert SAS

Rue du Giessen

BP 21

F-67220 TRIEMBACH-AU-VAL

You may also contact your local Bürkert sales office.

The addresses of our international sales offices are available on the internet at: www.burkert.com

4.2. Warranty conditions

The condition governing the legal warranty is the conforming use of the 8045 in observance of the operating conditions specified in this manual.

4.3. Information on the Internet

You can find the user manuals and technical data sheets regarding the type 8045 at: www.burkert.com

5. DESCRIPTION

5.1. Area of application

The 8045 flowmeter is intended exclusively to measure flow rates in liquids.

The device makes it possible to switch a solenoid valve or activate an alarm thanks to a transistor output and, for some versions, by means of two relay outputs, fully configurable and to establish a control loop thanks to a 4-20 mA current output.

The versions also equipped with a digital input make it possible to remotely activate a function.

5.2. General description

The device comprises both a flow sensor operating on Faraday's law and a transmitter with display.

The device is equipped with a 4-20 mA current output (analogue output, called AO1), a digital output (configured as a pulse output by default, called DO1) and two totalisers.

Some versions are equipped with two relay outputs (called DO2 and DO3) and one digital input (called DI1).

The device operates on a 3 wire system and needs a 18-36 V DC power supply.

The electrical connection is made on the terminals blocks of the electronic board within the transmitter, through two M20 x 1,5 cable glands.

5.3. Description of the name plate

<p>The name plate contains the following information:</p> <ul style="list-style-type: none"> 1: FLOW 8045 SST LONG 2: Specification of the flow sensor 3: DO1: 5-36V= 100mA 4: DO2/3: 250V~3A Max 5: SUPPLY: 18-36V~: 300 mA 6: W43M 7: CE logo 8: Warning symbol (triangle with exclamation mark) 9: Fluid: PN16:-15/110°C 10: IP65 11: DI1: 18-36V= 10mA 12: S/N 11 162 13: 00449673 14: FLOW → 	<ol style="list-style-type: none"> 1. Measured value and type of the device 2. Specification of the flow sensor 3. Specification of the DO1 digital output 4. Specification of the DO2 and DO3 relay outputs 5. Electrical power supply and current consumption 6. Manufacturing code 7. Conformity logo 8. Warning: Before using the device, take into account the technical specifications described in these operating instructions. 9. Fluid temperature range and fluid nominal pressure 10. Protection class of the device 11. Specification of the DI1 digital input 12. Serial number 13. Order code 14. Shows the flow direction
---	---

Fig. 1: Name plate of the 8045 flowmeter

5.4. Available versions

The following versions of the 8045 flowmeter are available.

These versions all have a 4-20mA current output (AO1) and a digital output (DO1).

Relay outputs (DO2, DO3)	Digital input (DI1)	Material of the housing	Specification of the flow sensor	Material of the electrodes	Order code
-	-	PC	short, in PVDF	Stainless steel	426498
			long, in PVDF	Stainless steel	426499
2	1	PC	short, in PVDF	Stainless steel	426506
			long, in PVDF	Stainless steel	426507
-	-	PPA	short, in stainless steel	Stainless steel	449670
			long, in stainless steel	Stainless steel	449672
2	1	PPA	short, in stainless steel	Stainless steel	449671
			long, in stainless steel	Stainless steel	449673
-	-	PC	short, in PVDF	Alloy C22	558675
			long, in PVDF	Alloy C22	558676
-	-	PPA	clamp, short, in stainless steel*	Stainless steel	567797
2	1	PPA	clamp, short, in stainless steel*	Stainless steel	567798

*) Only with S020 for devices with a clamp connection.

6. TECHNICAL DATA

6.1. Conditions of use

Ambient temperature	-10 to +60 °C
Air humidity	< 85%, non condensated
Height above see level	max. 2000 m
Protection class acc. to EN 60529	IP65, device wired and cable glands tightened and cover lid screwed tight.

6.2. Conformity to standards and directives

The device conforms to the EC directives through the following standards:

- EMC: EN 61000-6-2, EN 61000-6-3
- LVD: EN 61 010-1
- Vibration: EN 60068-2-6
- Shock: EN 60068-2-27
- Pressure: article 3§3 of the Pressure Directive 97/23/CE. Acc. to the Pressure Directive 97/23/CE: the device can only be used in the following cases (depending on the max. pressure, the DN of the pipe and the fluid)

Type of fluid	Conditions
Fluid group 1, par. 1.3.a	Forbidden
Fluid group 2 par. 1.3.a	DN ≤ 32 or DN > 32 and PNxDN ≤ 1000
Fluid group 1 par. 1.3.b	PNxDN ≤ 2000
Fluid group 2 par. 1.3.b	DN ≤ 200 or PN ≤ 10 or PNxDN ≤ 5000

6.3. General technical data

6.3.1. Mechanical data

Part	Material (8045 with flow sensor in PVDF)	Material (8045 with flow sensor in stainless steel)
Housing / seal	PC / NBR	Black PPA / NBR
Cover with lid / seal	PC / silicone	PSU / silicone
Front foil	Polyester	
M20x1,5 cable glands / seal	PA / neoprene	
Screws	Stainless steel	
Nut	PC	PPA
Flow sensor (exposed to the fluid)	PVDF	Stainless steel 316L (DIN 1.4404)

Part	Material (8045 with flow sensor in PVDF)	Material (8045 with flow sensor in stainless steel)
Seal	FKM	8045 with a G2" nut: FKM
Earth ring of the flow sensor	Stainless steel 316L (DIN 1.4404) or Alloy C22	-
Electrodes holder	-	PEEK
Electrodes	Stainless steel 316L (DIN 1.4404) or Alloy C22	

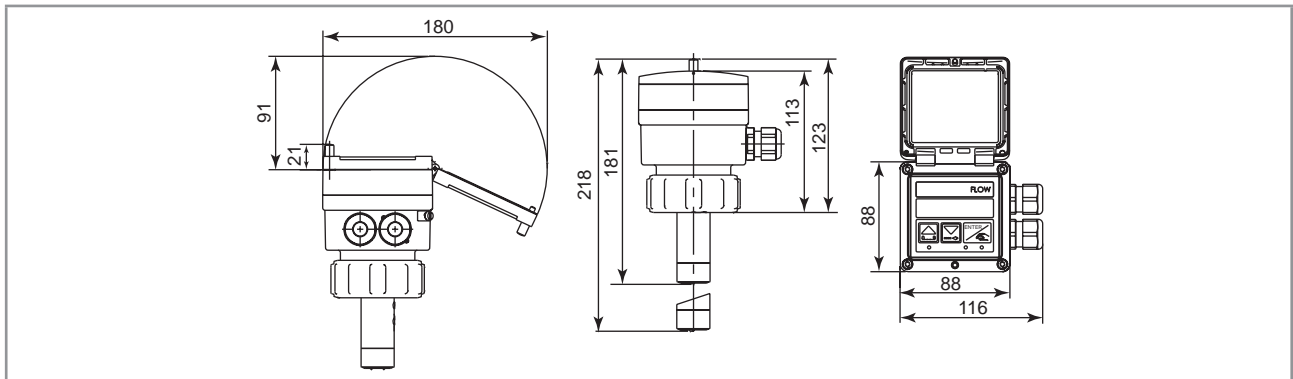


Fig. 2: Dimensions of flowmeter 8045 with a G2" nut [mm]

				
	T-fitting	Saddle	Spigot, in plastic	Welding tab with radius, in stainless steel
DN6	182			
DN8	182			
DN15	187			
DN20	185			
DN25	185			
DN32	188			
DN40	192			188
DN50	198	223		193
DN65	198	222	206	199
DN80		226	212	204
DN100		231	219	214
DN110		227		
DN125		234	254	225
DN150		244	261	236
DN180		268		
DN200		280	282	257
DN250			300	317

				
	T-fitting	Saddle	Spigot, in plastic	Welding tab with radius, in stainless steel
DN300			312	336
DN350			325	348
DN400			340	

Fig. 3: Dimension H in mm of the flowmeter 8045 with a G2" nut and inserted into an S020 fitting

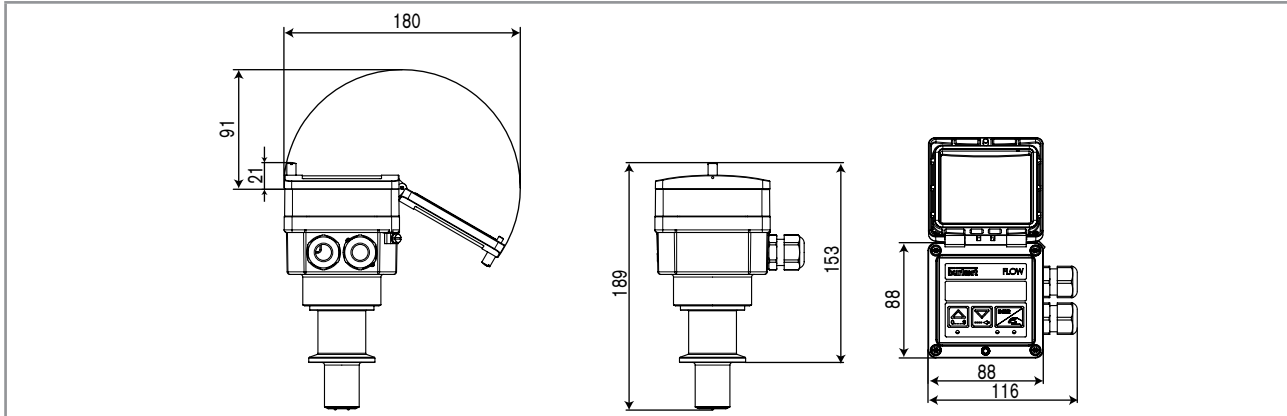


Fig. 4: Dimensions of flowmeter 8045 with a clamp connection [mm]

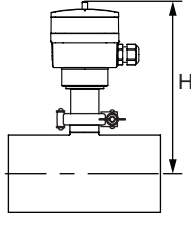


		
	T fittings for measuring devices with a clamp process connection	Welding socket for measuring devices with a clamp connection
DN32	200	200
DN40	205	205
DN50	210	210
DN65	218	218
DN80	224	224
DN100	230	230

Fig. 5: Dimension H in mm of the flowmeter 8045 with a clamp connection and inserted into an S020 fitting

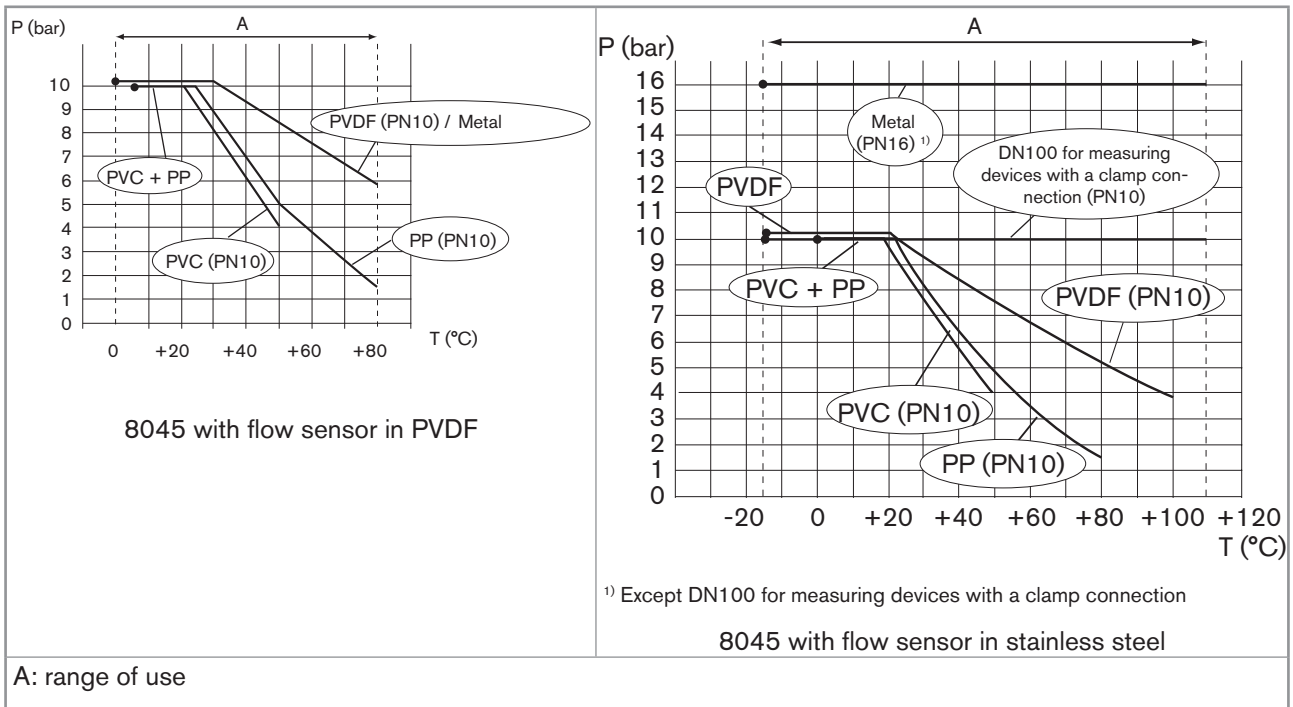


Fig. 6: Fluid pressure / temperature dependency for a 8045 with PVDF flow sensor or stainless steel flow sensor and a fitting S020 in metal, PVC, PVDF or PP

6.3.2. General data

Pipe diameter	DN6 to DN400
Type of fitting	S020
Min. fluid conductivity	20 μ S/cm
Fluid temperature	The fluid temperature may be restricted by the fluid pressure, the material the flow sensor is made of and the material the S020 fitting used is made of. See "Fig. 6".
<ul style="list-style-type: none"> 8045 with flow sensor in PVDF 8045 with flow sensor in stainless steel 	<ul style="list-style-type: none"> 0 to +80 °C -15 to +110 °C
Fluid pressure	The fluid pressure may be restricted by the fluid temperature, the material the flow sensor is made of, the material the S020 fitting used is made of and the DN of the S020 fitting. See "Fig. 6".
<ul style="list-style-type: none"> 8045 with flow sensor in PVDF 8045 with flow sensor in stainless steel 	<ul style="list-style-type: none"> PN10 PN16

Flow rate measurement	
<ul style="list-style-type: none"> ▪ Measurement range ▪ Measurement deviation ("measurement bias", as defined in the standard JCGM 200:2012): <ul style="list-style-type: none"> - after a teach-in calibration has been made; - with the K factor of the fitting used ▪ Linearity ▪ Repeatability 	<ul style="list-style-type: none"> ▪ 0,2 to 10 m/s ▪ $\pm 0,5$ % of the measured value ¹⁾ ▪ $\pm 3,5$ % of the measured value ¹⁾ ▪ $\pm 0,5$ % of the full scale ¹⁾ ▪ $\pm 0,25$ % of the measured value

¹⁾ Determined in the following reference conditions: fluid = water, water and ambient temperatures = 20 °C, upstream and downstream distances respected, appropriate pipe dimensions.

6.3.3. Electrical data

Power supply	<ul style="list-style-type: none"> ▪ 18-36 V DC, filtered and regulated ▪ oscillation rate: ± 5 %
Current consumption	300 mA max. (at 18 V DC)
Transistor output DO1	
<ul style="list-style-type: none"> ▪ type ▪ function ▪ frequency ▪ Electrical data ▪ duty cycle if $f > 2$ Hz ▪ min. pulse duration if $f < 2$ Hz ▪ protections 	<ul style="list-style-type: none"> ▪ NPN / PNP (wiring dependent), open collector ▪ pulse output (by default), user configurable ▪ 0-250 Hz ▪ 5-36 V DC, 100 mA max. ▪ 1/2 ▪ 250 ms ▪ galvanically isolated, and protected against over-voltages, polarity reversals and short-circuits
Relay outputs (DO2 and DO3)	
<ul style="list-style-type: none"> ▪ operating ▪ electrical data of the load ▪ max. breaking capacity ▪ life span 	<ul style="list-style-type: none"> ▪ hysteresis (by default), configurable, normally open ▪ 250 V AC / 3 A or 30 V DC / 3 A (resistive load) ▪ 750 VA (resistive load) ▪ min. 100000 cycles
Current output AO1	
<ul style="list-style-type: none"> ▪ specification ▪ max. loop impedance 	<ul style="list-style-type: none"> ▪ 4-20 mA, sink or source (wiring dependent), 22 mA to indicate a fault ▪ 1300 Ω at 36 V DC, 1000 Ω at 30 V DC, 700 Ω at 24 V DC, 450 Ω at 18 V DC

<p>Digital input DI</p> <ul style="list-style-type: none"> ▪ supply voltage ▪ input impedance ▪ min. pulse duration ▪ protections 	<ul style="list-style-type: none"> ▪ 18-36 V DC ▪ 15 kΩ ▪ 200 ms ▪ galvanically isolated, and protected against polarity reversals and voltage spikes
--	---

6.3.4. Electrical connection

Type of connection	Through two M20x1,5 cable glands
Cable specifications	
<ul style="list-style-type: none"> ▪ cable type ▪ Cross section ▪ Diameter of each cable: <ul style="list-style-type: none"> - if only one cable is used per cable gland - if two cables are used per cable gland 	<ul style="list-style-type: none"> ▪ shielded ▪ 0,5 to 1,5 mm² <ul style="list-style-type: none"> - 6...12 mm - 4 mm, with the supplied multi-way seal

MAN 1000180103 EN Version: C Status: RL (released | freigegeben) printed: 19.01.2015

7. INSTALLATION AND COMMISSIONING

7.1. Safety instructions



DANGER

Risk of injury due to high pressure in the installation.

- Stop the circulation of fluid, cut off the pressure and drain the pipe before loosening the process connections.

Risk of injury due to electrical voltage.

- Shut down the electrical power source of all the conductors and isolate it before carrying out work on the system.
- Observe all applicable accident protection and safety regulations for electrical equipment.

Risk of injury due to high fluid temperatures.

- Use safety gloves to handle the device.
- Stop the circulation of fluid and drain the pipe before loosening the process connections.

Risk of injury due to the nature of the fluid.

- Respect the prevailing regulations on accident prevention and safety relating to the use of aggressive fluids.



WARNING

Risk of injury due to non-conforming installation.

- The electrical and fluid installation can only be carried out by qualified and skilled staff with the appropriate tools.
- Install appropriate safety devices (correctly rated fuse and/or circuit-breaker).
- Respect standard NF C 15-100 / IEC 60364.
- Respect the assembly instructions for the fitting used.

Risk of injury due to unintentional switch on of power supply or uncontrolled restarting of the installation.

- Take appropriate measures to avoid unintentional activation of the installation.
- Guarantee a set or controlled restarting of the process subsequent to any intervention on the device.



WARNING

Danger due to non-conforming commissioning.

Non-conforming commissioning could lead to injuries and damage the device and its surroundings.

- Before commissioning, make sure that the staff in charge have read and fully understood the contents of the manual.
- In particular, observe the safety recommendations and intended use.
- The device / the installation must only be commissioned by suitably trained staff.



Protect this device against electromagnetic interference, ultraviolet rays and, when installed outdoors, the effects of the climatic conditions.

7.2. Installation onto the pipe

DANGER

Risk of injury due to high pressure in the installation.

- Stop the circulation of fluid, cut off the pressure and drain the pipe before loosening the process connections.

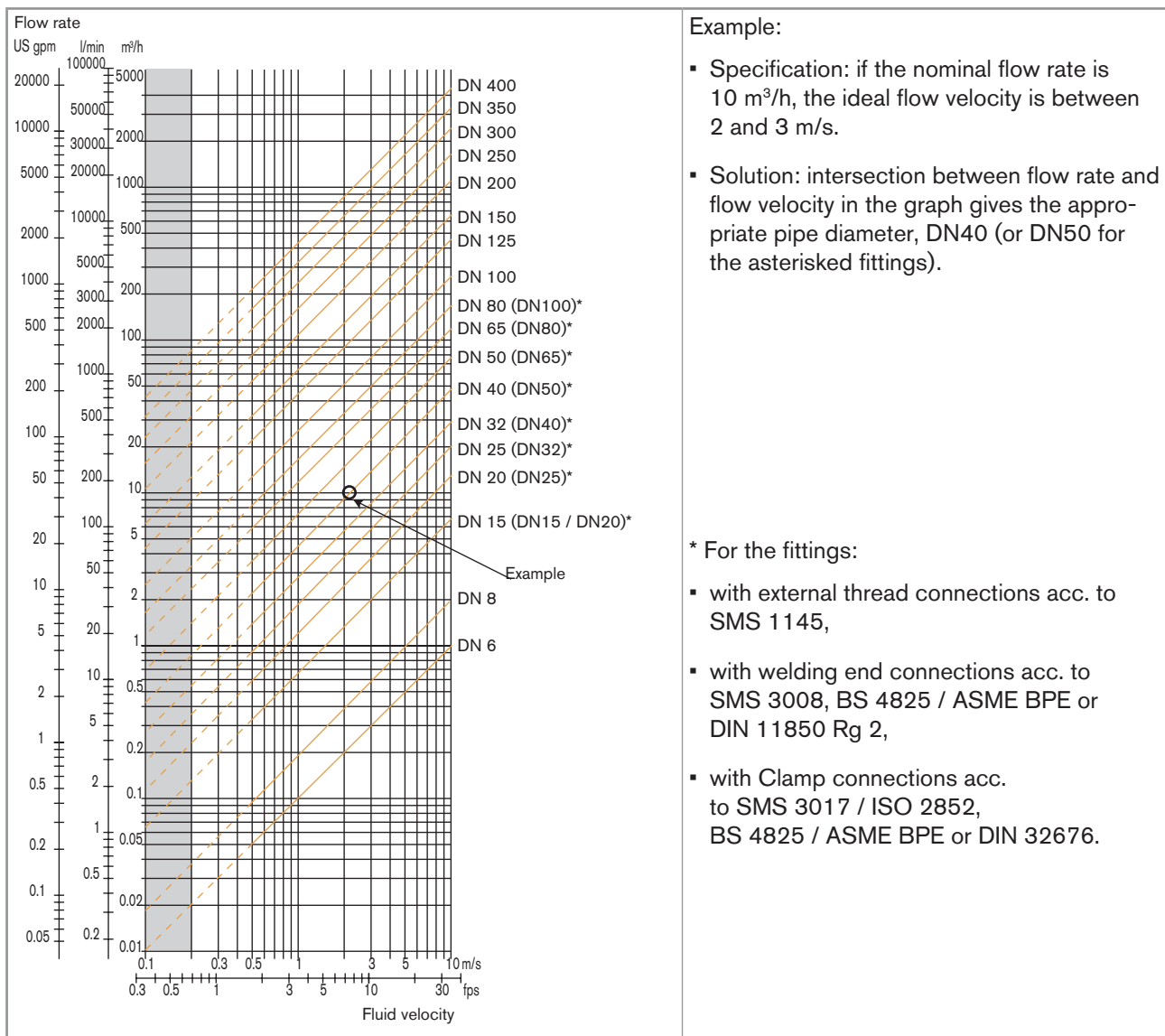
Risk of injury due to the nature of the fluid.

- Respect the prevailing regulations on accident prevention and safety relating to the use of aggressive fluids.

The 8045 flowmeter has to be inserted into an S020 fitting mounted on a pipe.

7.2.1. Recommendations for installing the 8045 on the pipe

→ Choose an S020 fitting appropriate to the velocity of the fluid inside the pipe: refer to the graphs below:



Example:

- Specification: if the nominal flow rate is 10 m³/h, the ideal flow velocity is between 2 and 3 m/s.
- Solution: intersection between flow rate and flow velocity in the graph gives the appropriate pipe diameter, DN40 (or DN50 for the asterisked fittings).

* For the fittings:

- with external thread connections acc. to SMS 1145,
- with welding end connections acc. to SMS 3008, BS 4825 / ASME BPE or DIN 11850 Rg 2,
- with Clamp connections acc. to SMS 3017 / ISO 2852, BS 4825 / ASME BPE or DIN 32676.

→ Install the device on the pipe in such a way that the upstream and downstream distances are respected according to the design of the pipes, refer to standard EN ISO 5167-1 and Fig. 7 :

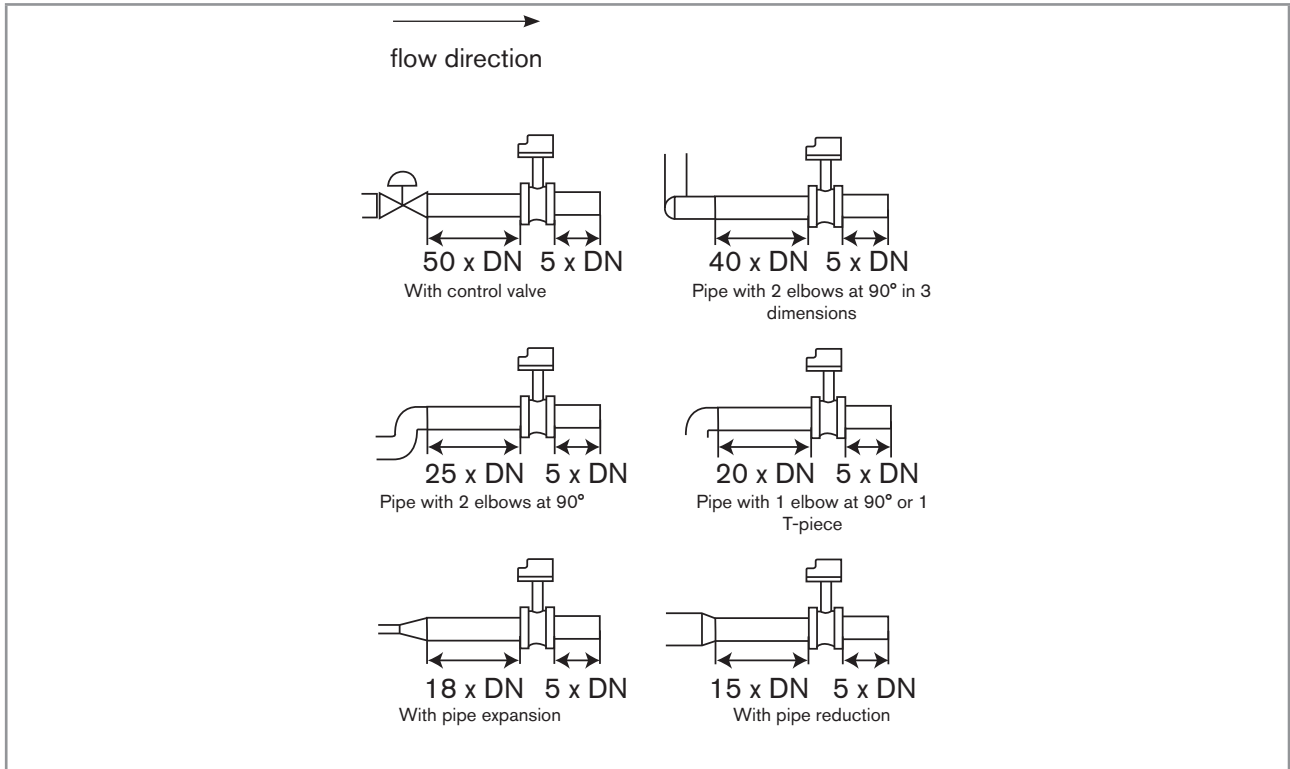


Fig. 7: Upstream and downstream distances depending on the design of the pipes.

→ Respect the following additional mounting conditions to ensure that the measuring device operates correctly:

- Preferably install the device at a 45° angle to the horizontal centre of the pipe to avoid having deposits on the electrodes and false measurements due to air bubbles (see "Fig. 8");

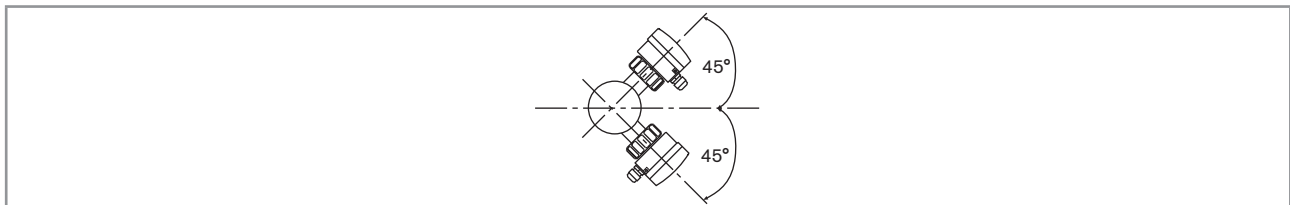


Fig. 8: Mounting angle on the pipe

- Ensure that the pipe is always filled in the section around the device (see Fig. 9).
- When mounting vertically ensure that the flow direction is in an upward direction (see Fig. 9).

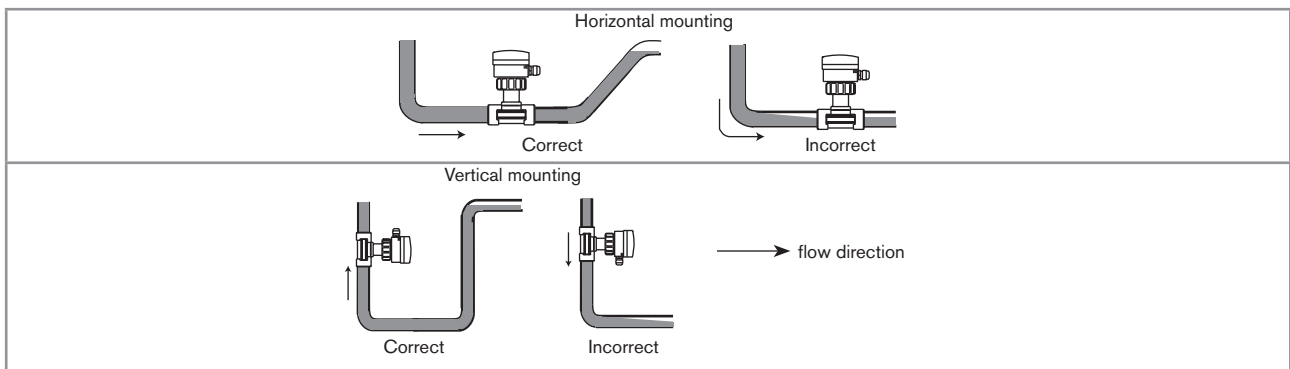


Fig. 9: Filling of the pipe

- Prevent the formation of air bubbles in the pipe in the section around the device (see Fig. 10).

- Always mount the device upstream a possible injection point in the pipe of a high-conductivity fluid (for example: acid, base, saline,...).

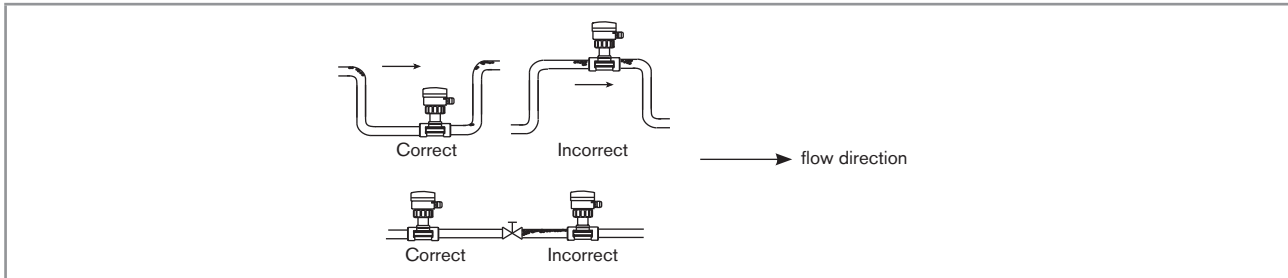


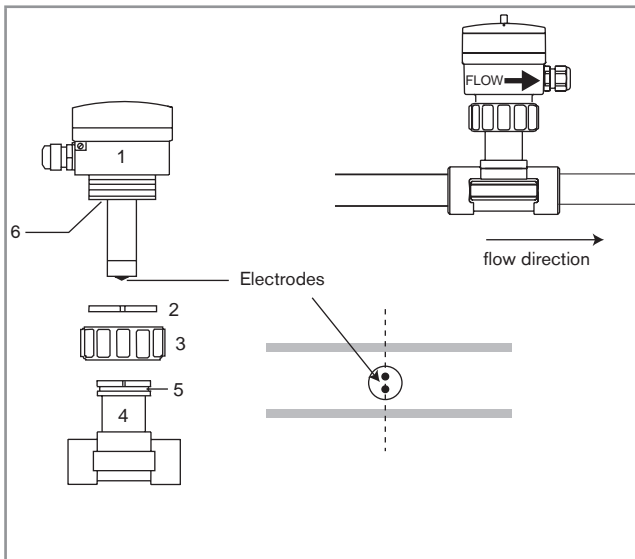
Fig. 10: Air bubbles within the pipe

→ If necessary, use a flow conditioner to improve measurement precision.

7.2.2. Installation into the pipe of a 8045 with a G2" nut



In order to ensure a high accuracy of the measurements and good stability of the „flow zero“ point, install the device into the processed medium at least 24 H before calibration.



- Install the S020 fitting into the pipe taking into account the recommendations in chap. ["7.2.1"](#).
- Check that there is a seal (see mark 6, [Fig. 11](#)) on the flow sensor.
- Insert the nut (see mark 3, [Fig. 11](#)) on the fitting.
- Insert the snap ring (mark 2, [Fig. 11](#)) into the groove (mark 5, [Fig. 11](#)).
- Position the device in order the arrow on the side of the housing indicates the direction of the flow. the totalizers will increment.
- Insert the device (mark 1, [Fig. 11](#)) into the fitting.
- Tighten the nut (mark 3, [Fig. 11](#)) by hand on the device.

Fig. 11: Installation into the pipe of a 8045 with a G2" nut

7.2.3. Installation into the pipe of a 8045 with a clamp connection



Observe the installation recommendations described at chap. [7.2.](#) and in the operating instructions of the S020 fitting.



In order to ensure a high accuracy of the measurements and good stability of the „flow zero“ point, install the device into the processed medium at least 24 H before calibration.

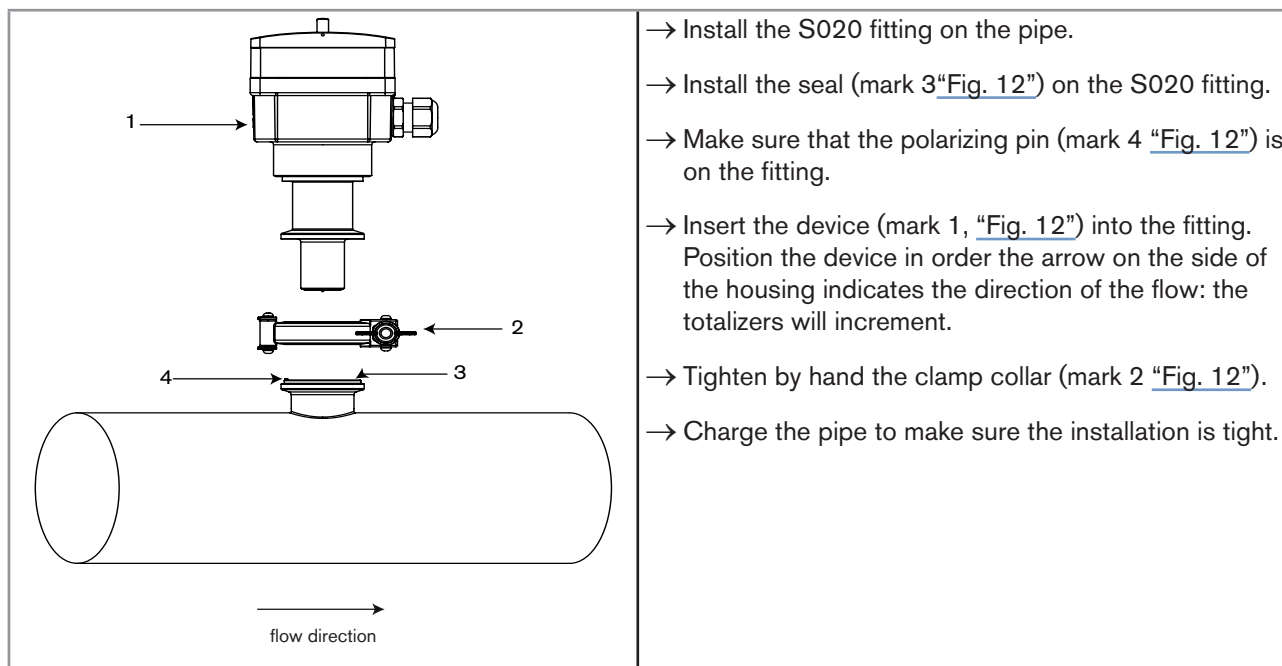


Fig. 12: Installation into the pipe of a 8045 with a clamp connection

7.3. Wiring



DANGER

Risk of injury due to electrical voltage.

- Shut down the electrical power source of all the conductors and isolate it before carrying out work on the system.
- Observe all applicable accident protection and safety regulations for electrical equipment.

NOTE

The device is not tight if at least one cable gland is not used

- Seal the unused cable gland with the supplied stopper gasket:
 - Loosen the nut of the unused cable gland.
 - Remove the transparent disk.
 - Insert the supplied stopper gasket.
 - Screw the nut of the cable gland.



- Use a high quality electrical power supply (filtered and regulated).
- Make sure the installation is equipotential. See chap. [“7.3.1”](#).
- Use shielded cables with a temperature limit of 80 °C minimum.
- Do not install the cables near high voltage or high frequency cables; If this cannot be avoided, observe a min. distance of 30 cm.
- Protect the power supply by means of a 300 mA fuse and a switch.
- Protect the relays by means of a max. 3 A fuse and a circuit breaker (depending on the process).
- Do not apply both a dangerous voltage and a safety extra-low voltage to the relays.



If two cables are used in the same cable gland, first insert the supplied multi-way seal.

To wire the device:

- Loosen the screw from the lid.
- Flip the lid.
- Loosen the 4 screws from the cover of the housing.
- Remove the cover.
- Loosen the nuts of the cable glands.
- Insert the cable through the nut then through the cable gland.
- Make sure the earth cable coming from the housing and, on a version with stainless steel sensor, the cable coming from the flow sensor, are connected as shown in [Fig. 19](#), chap. [7.3.3](#).
- Wire acc. to chap. [7.3.1](#) to [7.3.7](#).

7.3.1. Equipotentiality of the installation

To ensure the equipotentiality of the installation (power supply - device - fluid):

- Connect together the various earth spots in the installation to eliminate the potential differences that may occur between different earths.
- Observe faultless earthing of the shield of the power supply cable, at both ends.
- Connect the negative power supply terminal to the earth to suppress the effects of common mode currents. If this connection cannot be made directly, a 100 nF/50 V capacitor can be fitted between the negative power supply terminal and the earth.
- Special attention has to be paid if the device is installed on plastic pipes because there is no direct earthing possible. Proper earthing is performed by earthing together the metallic instruments such as pumps or valves, that are as close as possible to the device. If no such instrument is near the device, insert metallic earth rings inside the plastic pipes upstream and downstream the device and connect these parts to the same earth. The earth rings must be in contact with the fluid.

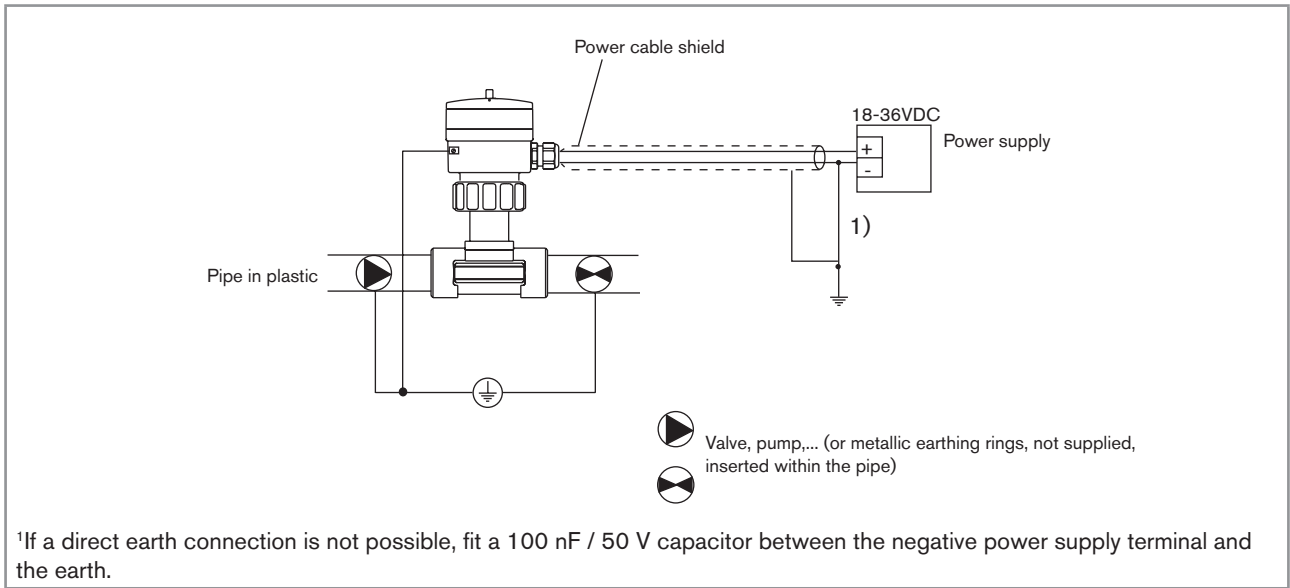


Fig. 13: Equipotentiality skeleton diagram with pipes in plastic

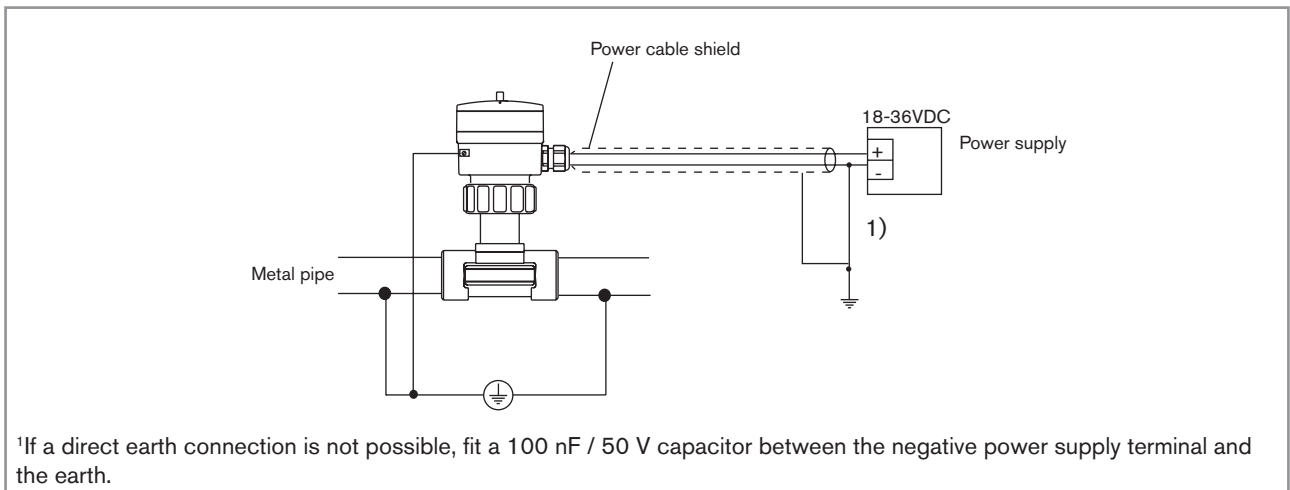


Fig. 14: Equipotentiality skeleton diagram with pipes in metal

7.3.2. Mounting the cable clamp

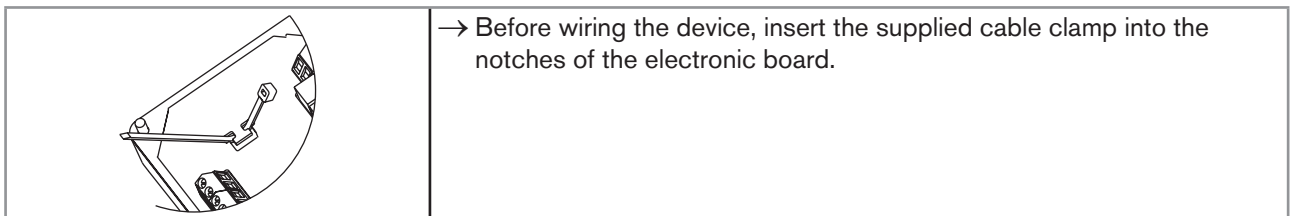


Fig. 15: Mountign the cable clamp

7.3.3. Terminal assignment and use of the selectors

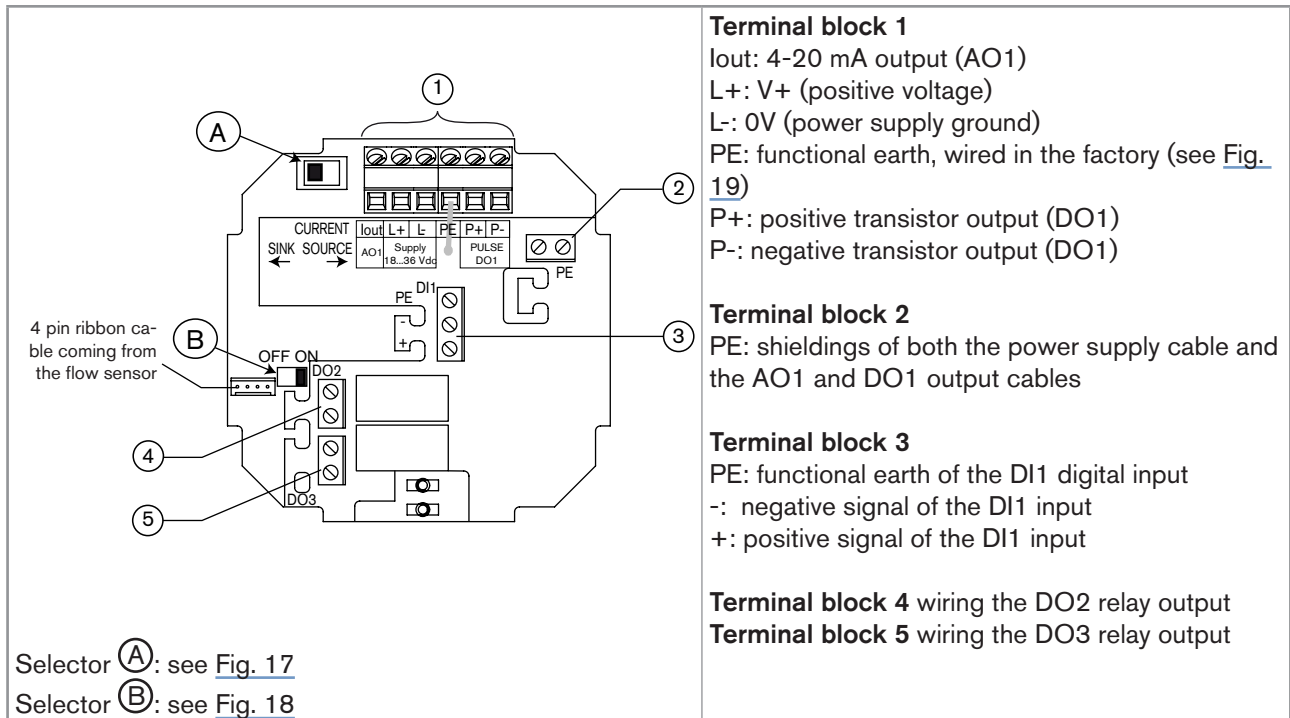


Fig. 16: Terminal assignment

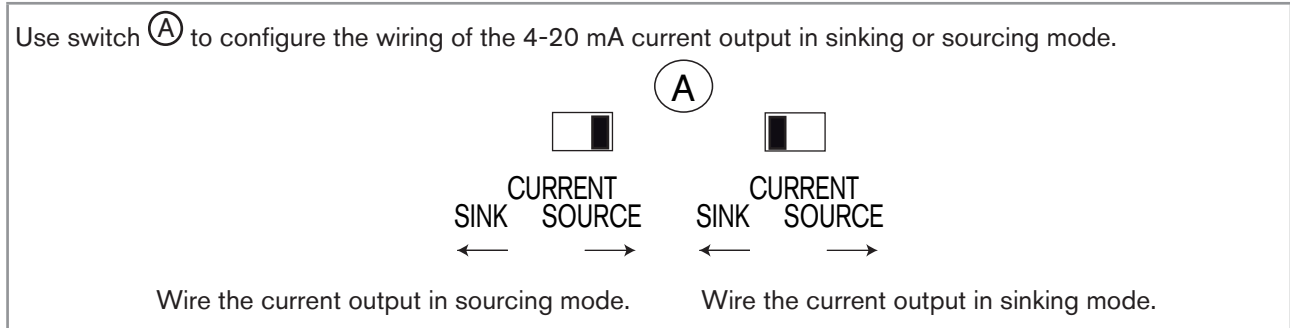


Fig. 17: Using the sink/source switch

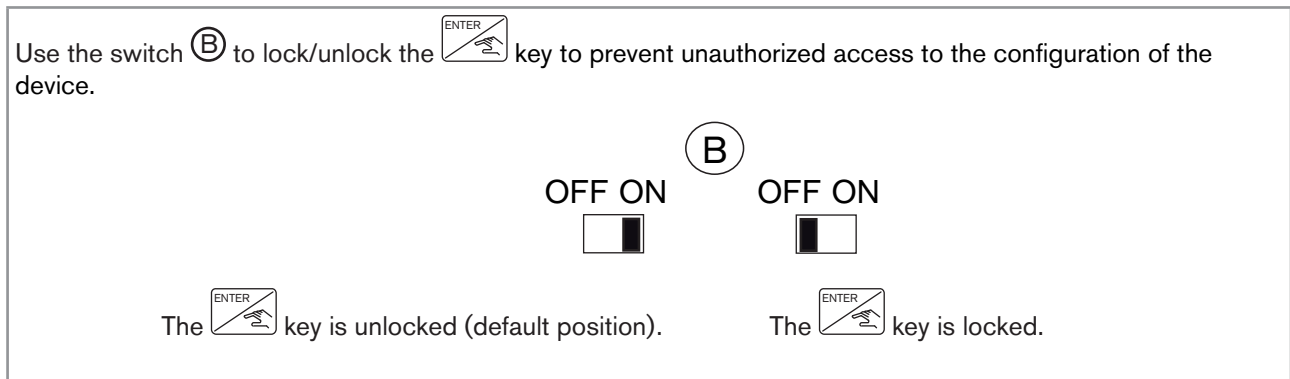


Fig. 18: Using the ENTER key lock/unlock switch

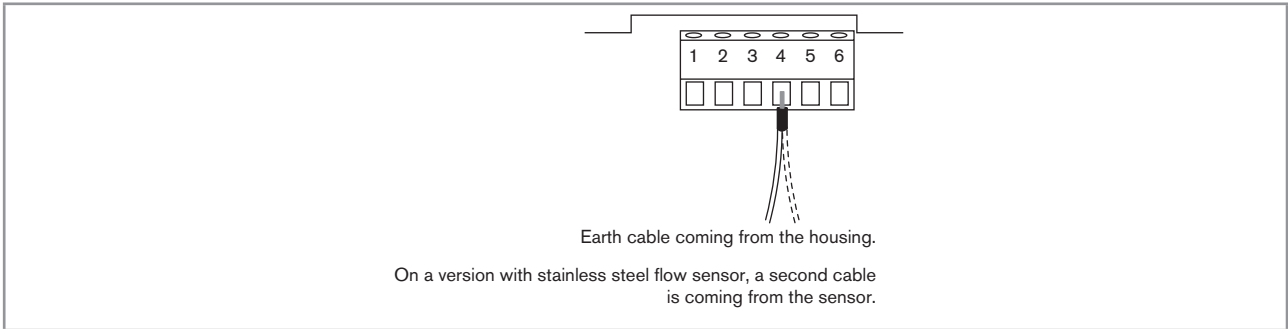


Fig. 19: Terminal block 1 connecting the earth wire coming from the housing (made in the factory)

7.3.4. Wiring the AO1 current output

! For safety reasons, secure the cables using a non-conducting cable clamp.

The 4-20 mA output can be wired in either sourcing or sinking mode.

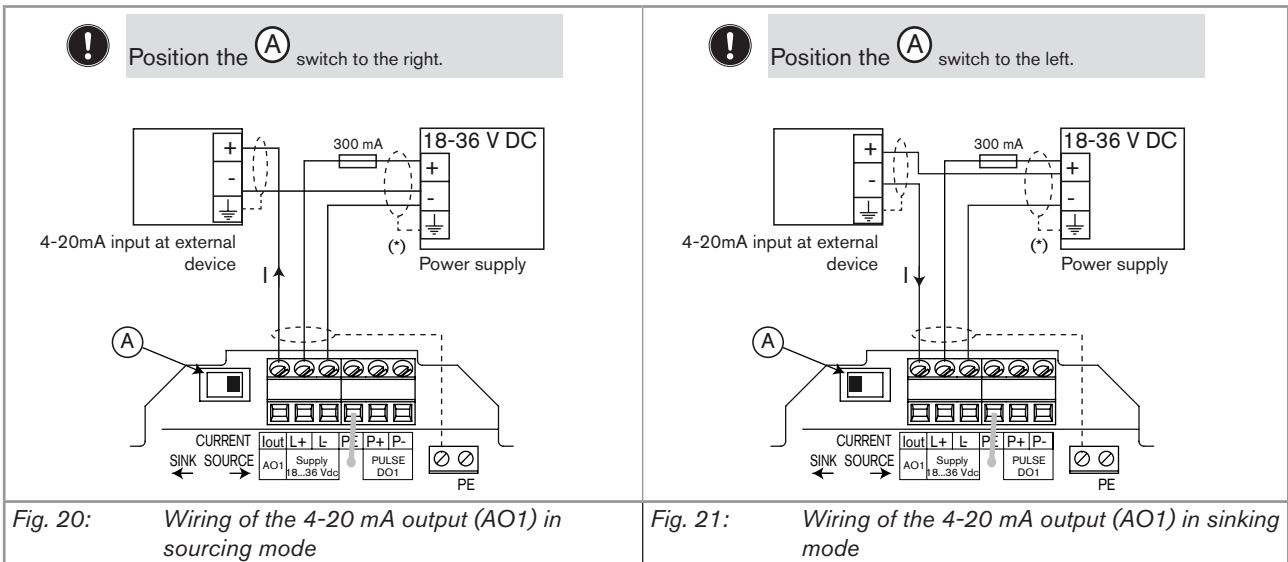


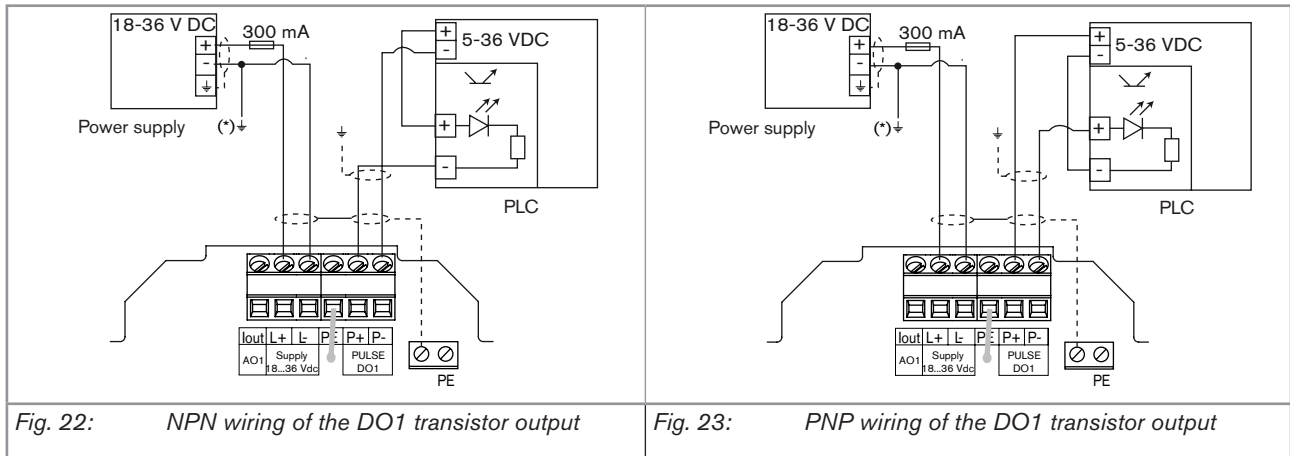
Fig. 20: Wiring of the 4-20 mA output (AO1) in sourcing mode

Fig. 21: Wiring of the 4-20 mA output (AO1) in sinking mode

*) If a direct earth connection is not possible, fit a 100 nF/50 V capacitor between the negative power supply terminal and the earth

MAN 1000180103 EN Version: C Status: RL (released | freigegeben) printed: 19.01.2015

7.3.5. Wiring the DO1 transistor output



*) If a direct earth connection is not possible, fit a 100 nF/50 V capacitor between the negative power supply terminal and the earth

7.3.6. Wiring the DI1 digital input

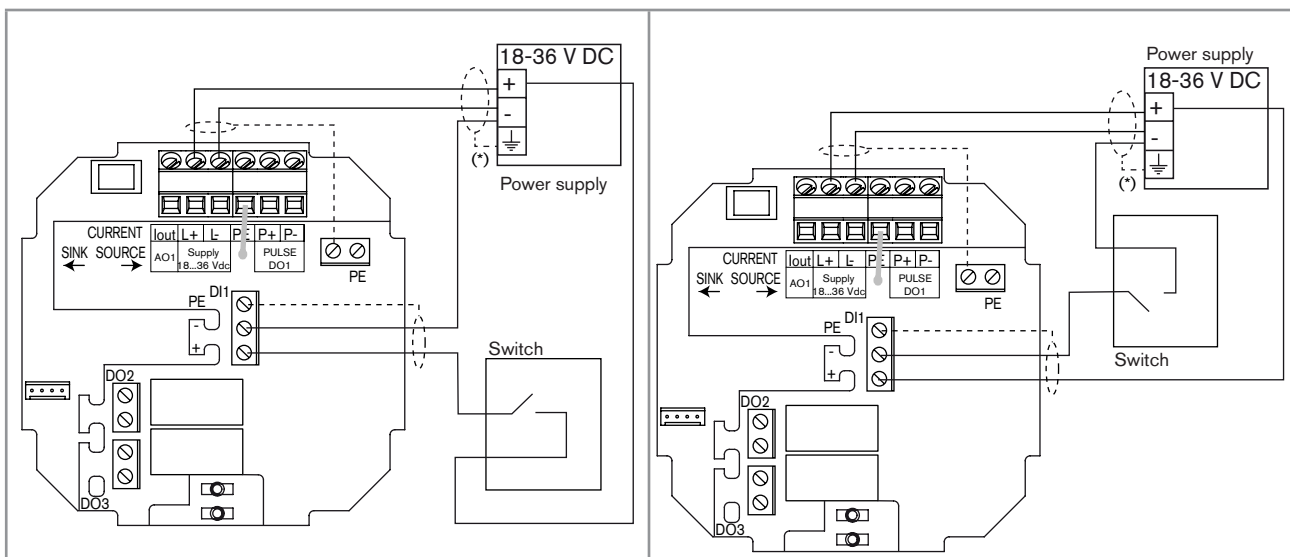


Fig. 24: Possible wirings of the DI1 digital input

*) If a direct earth connection is not possible, fit a 100 nF/50 V capacitor between the negative power supply terminal and the earth

7.3.7. Wiring the DO2 and DO3 relay outputs

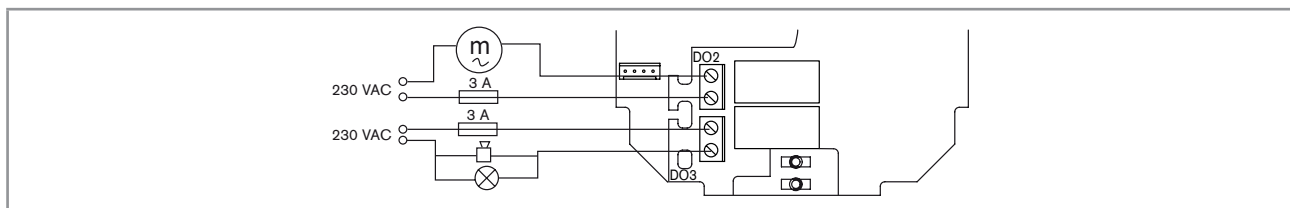


Fig. 25: Wiring of the DO2 and DO3 relay outputs

MAN 1000180103 EN Version: C Status: RL (released | freigegeben) printed: 19.01.2015

8. OPERATING AND FUNCTIONS

8.1. Safety instructions



WARNING

Risk of injury due to non-conforming operating.

Non-conforming operating could lead to injuries and damage the device and its surroundings.

- The operators in charge of operating must have read and understood the contents of this manual.
- In particular, observe the safety recommendations and intended use.
- The device/installation must only be operated by suitably trained staff.

8.2. Operating levels of the device

The device has two operating levels: the Process level and the Configuration level.

The Process level makes it possible:

- to read the flow rate measured by the device, the value of the current transmitted on the 4-20 mA analogue output, the values of both the daily and main totalizers.
- to reset the daily totalizer.
- to access the Configuration level.

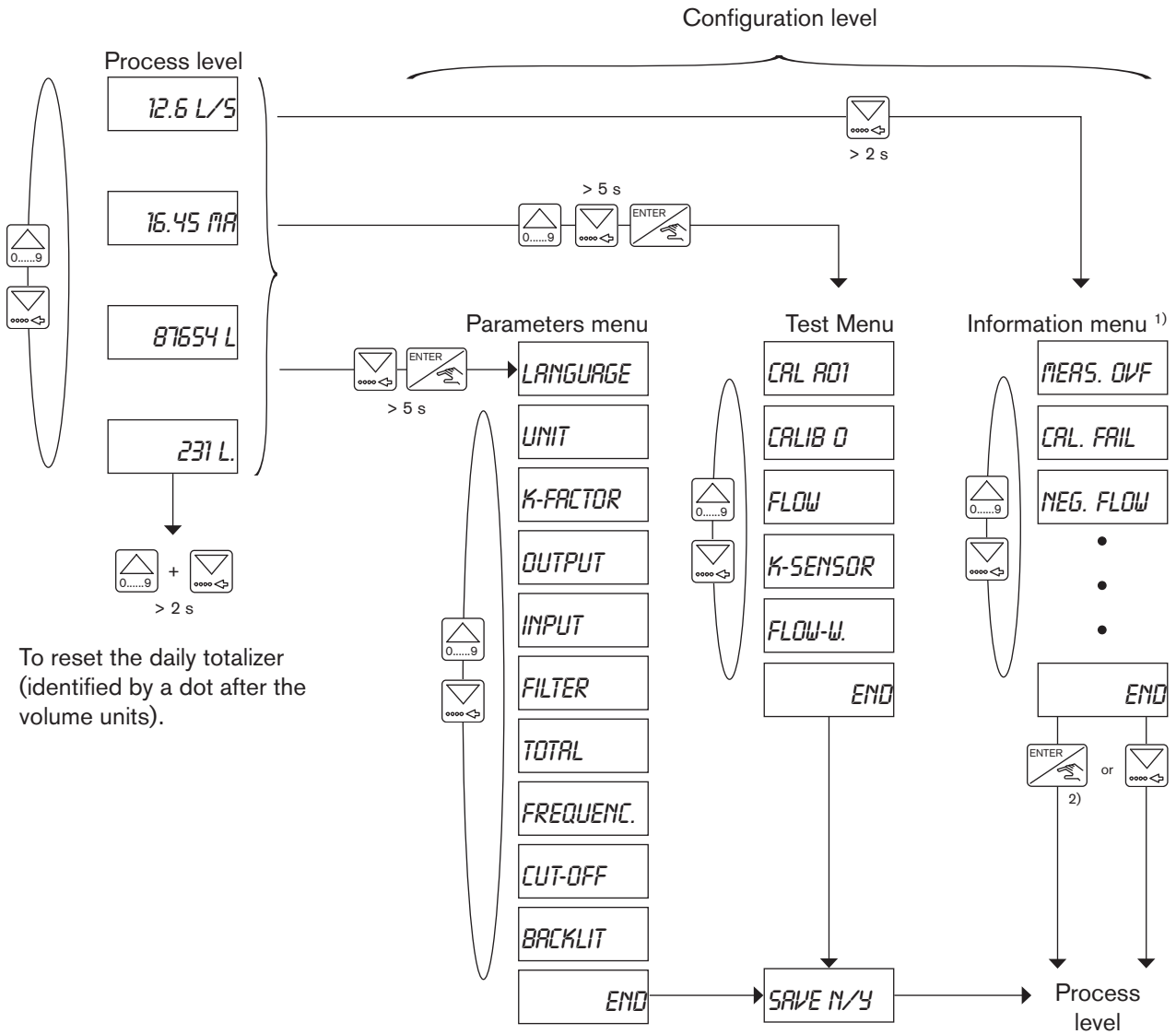
The Configuration level comprises three menus (Parameters, Test and Information) and makes it possible:

- to set the device parameters.
- to test some device parameters.
- to calibrate the device.
- to read, when the status LED of the device is orange or red, the warning and fault messages generated by the device.

Table 1: Default settings of the device

Function	Default value	Function	Default value
LANGUAGE	English	OUTPUT DO3	Hysteresis
UNIT of the flow rate	l/min.		3- = 0.000
UNIT of the totalizers	litre		3+ = 0.000
K-FACTOR	1.000		Not inverted
OUTPUT AO1	4mA = 0.000		time delay = 0
	20mA = 0.000	INPUT DI1	disable
OUTPUT DO1	pulse	FILTER	5, slow
	PU = 0.00 litre	FREQUENC.	50Hz

Function	Default value	Function	Default value
OUTPUT DO2	Hysteresis	CUT-OFF	0.000
	2- = 0.000	BACKLIT	level 9, activated for 30s
	2+ = 0.000	K-SENSOR	Kw = 1.000
	Not inverted	FLOW-W.	W- = 0.000
	time delay = 0		W+ = 0.000





1) Accessible when the device status LED is orange or red (see chap. "8.3").

2) If the ENTER key is unlocked.

















8.3. Description of the navigation keys and the status LEDs

- Scrolling up the parameters
- increment the figure selected
- Selecting the displayed parameter
- Confirming the settings
- Status LED of relay DO3 (LED ON = contact closed)
- Status LED of relay DO2 (LED ON = contact closed)
- Device status LED: see following table.
- Reading the messages
- Scrolling through the parameters
- Selecting the figure on the left

Device status LED	Status of the device
Green	The device operates correctly.
Orange	<p>A warning message is generated.</p> <p>→ Press the  key for 2 seconds in the Process level to access the message. See chap. "9.5.5" for the meaning of the message.</p> <p>Furthermore, a relay output (DO2 or DO3) or the transistor output DO1 switches if it is configured in the "WARNING" mode (see Fig. 39 or Fig. 42)</p>
Red	<p>A fault message is generated and a 22 mA current is sent on the current output.</p> <p>→ Press the  key for 2 seconds in the Process level to access the message. See chap. "9.5.4" for the meaning of the message.</p>
Blinking, whatever the colour	<ul style="list-style-type: none"> ▪ the DI1 digital input is active, ▪ or a check for the correct behaviour of the outputs is running (see chap. "8.7.3") ▪ or a flow zero point calibration procedure is running (see chap. "8.7.2"), ▪ or the daily totalizer is kept at zero.

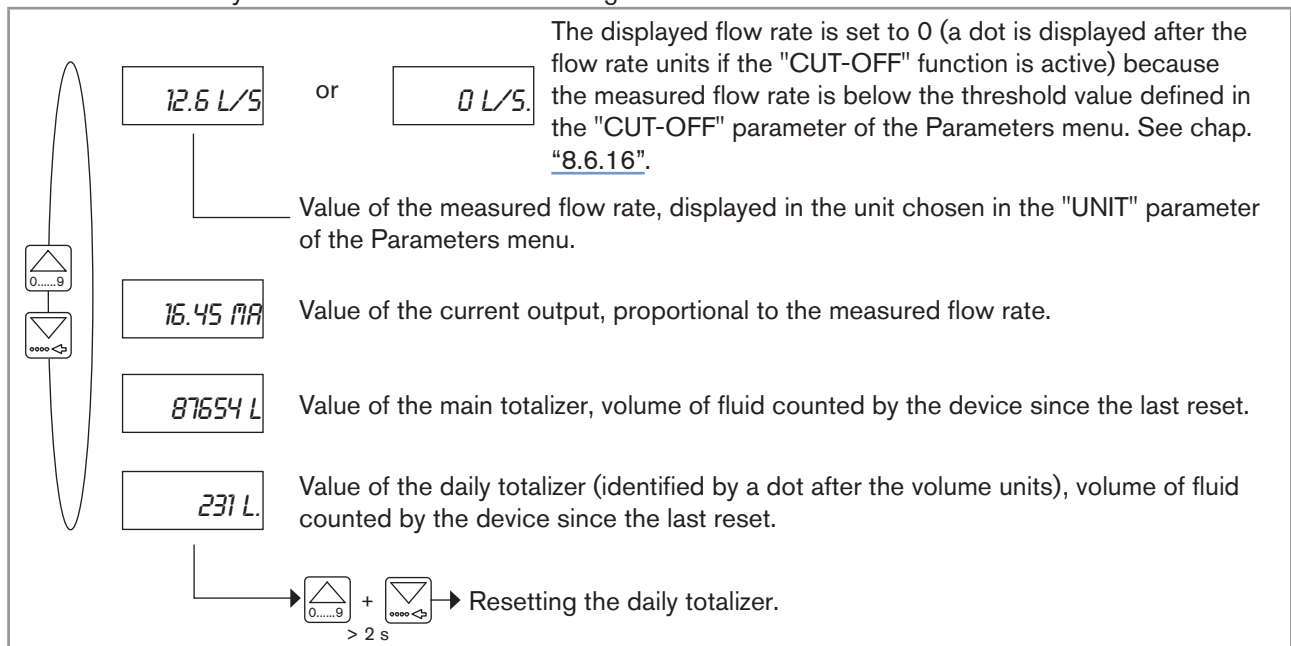
MAN 1000180103 EN Version: C Status: RL (released | freigegeben) printed: 19.01.2015

8.4. Using the navigation keys




You want to...	Press...
move between parameters within a level or a menu.	<ul style="list-style-type: none">  to go the next parameter.  to go to the previous parameter.
access the Parameters menu	 +  simultaneously for 5 s, in the Process level
access the Test menu.	 +  +  simultaneously for 5 s, in the Process level
access the Information menu.	 for 2 s, in the Process level, when the device status LED is orange or red.
reset the daily totalizer.	 +  simultaneously for 2 s, when the daily totalizer is displayed in the Process level
select the displayed parameter.	
confirm the displayed value.	
modify a numerical value.	<ul style="list-style-type: none">  to increase the blinking digit.  to select the digit at the left of the blinking digit.  +  to move the decimal point.

8.5. Details of the Process level

This level is active by default when the device is energized.



8.6. Details of the Parameters menu

To access the Parameters menu, simultaneously press keys    for at least 5 s.

This menu comprises the following configurable parameters:

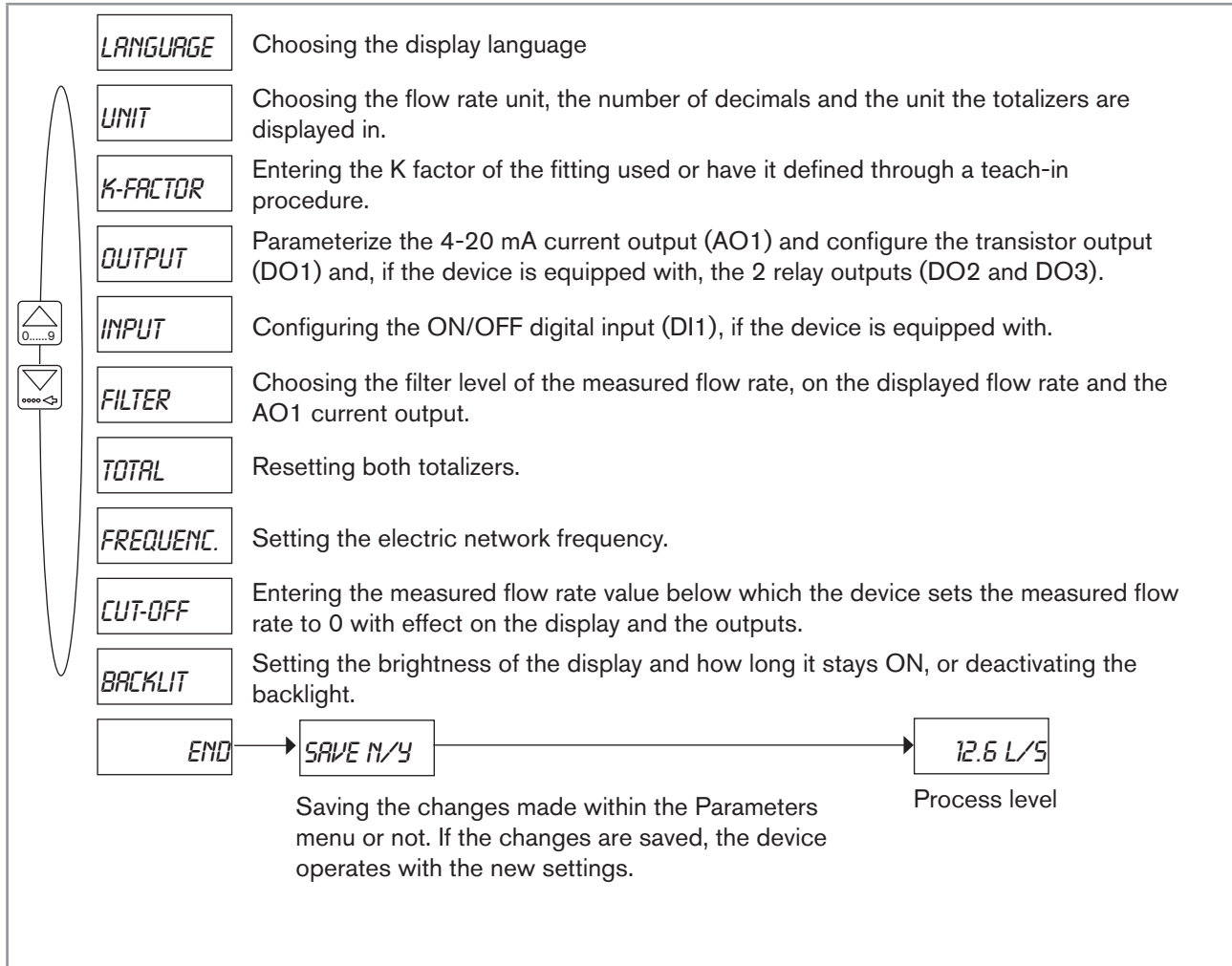


Fig. 26: Diagram of the Parameters menu

8.6.1. Choosing the display language

When the device is energized for the first time, the display language is English.

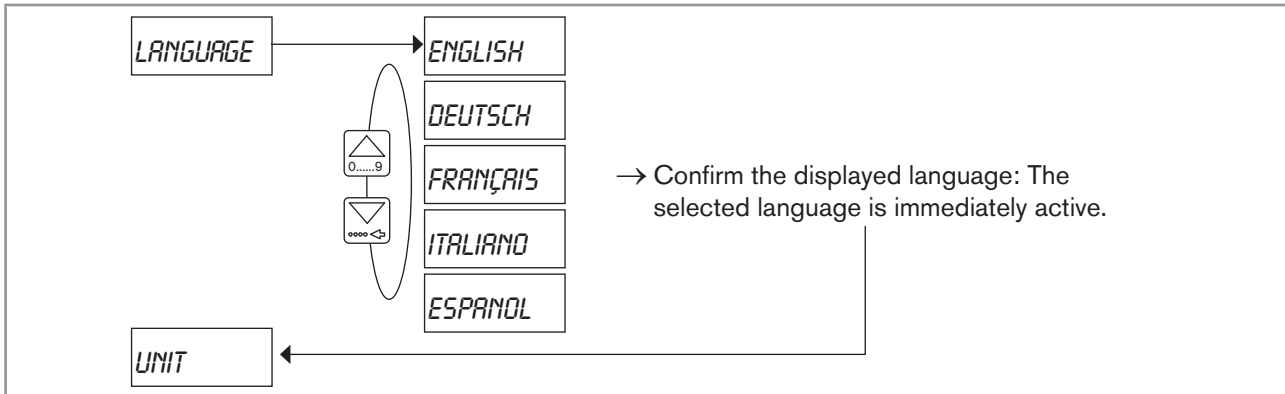


Fig. 27: Diagram of the "LANGUAGE" parameter of the Parameters menu

→ If you do not want to adjust another parameter, go to the "END" parameter of the Parameters menu and press



to save the settings or not and go back to the Process level.

8.6.2. Choosing the flow rate units, the number of decimals and the units of the totalizers



When changing the flow rate unit, only the totalizers are automatically converted.

- If necessary, manually convert the parametered flow rate values.

The max. flow rate that can be displayed depends on the number of decimals chosen:



- 9999 if the number of decimals = 0 or AUTO,
- 999,9 if the number of decimals = 1,
- 99,99 if the number of decimals = 2,
- 9,999 if the number of decimals = 3.

The "UNIT" parameter makes it possible to choose:

- the flow rate units.
- a fixed number of decimals (choose 0, 1, 2 or 3) to display the flow rate in the Process level, or a floating decimal point (choose "AUTO"): the device automatically adjusts the position of the decimal point depending on the chosen unit and the measured flow rate.
- the volume units of the totalizers if the unit previously chosen is in litres or in m³.

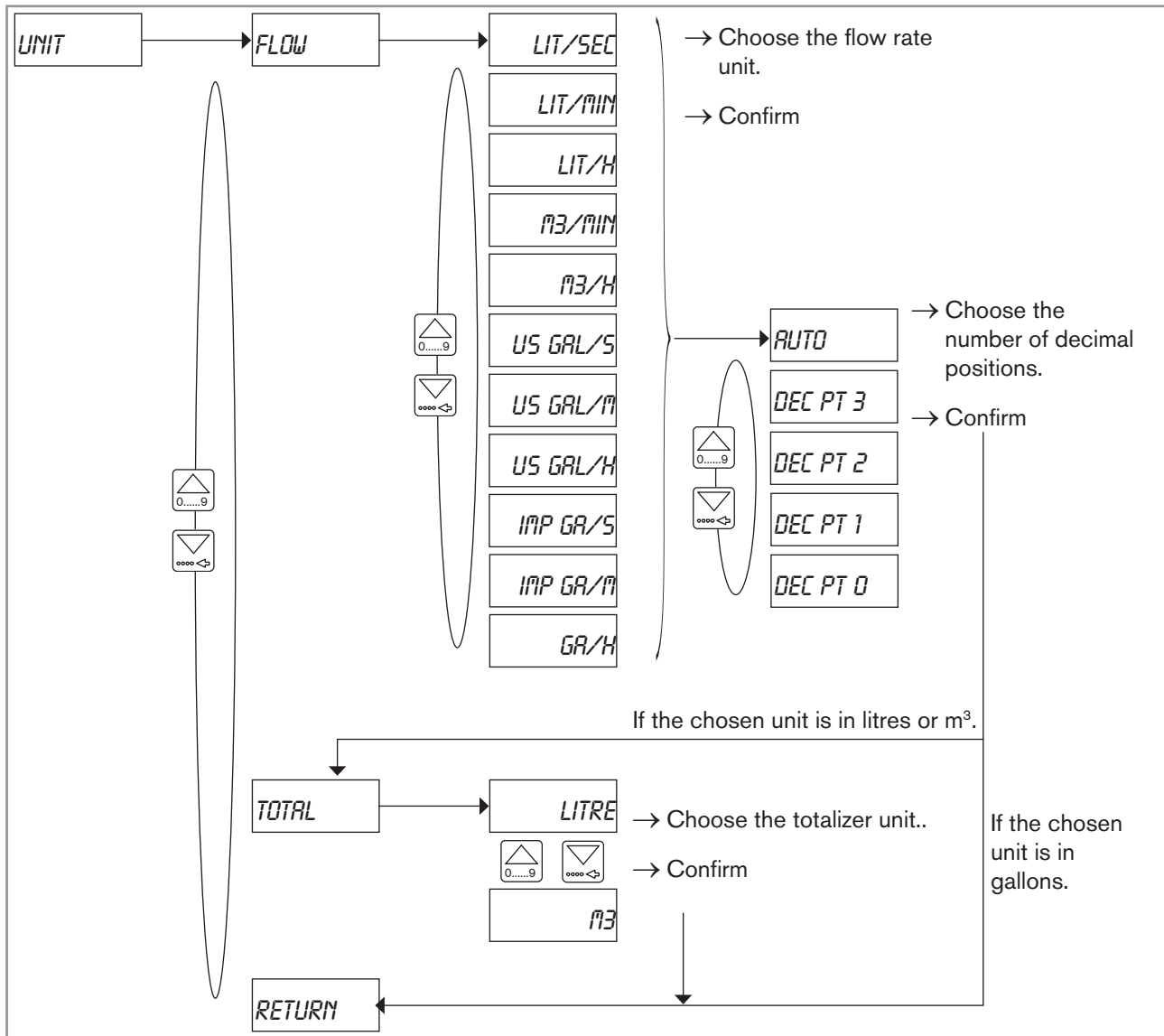


Fig. 28: Diagram of the "UNIT" parameter of the Parameters menu

→ If you do not want to adjust another parameter, go to the "END" parameter of the Parameters menu and press



to save the settings or not and go back to the Process level.

8.6.3. Entering the K factor of the fitting used:

The device determines the flow rate in the pipe using the fitting K factor.

The K factor of the fitting used can be entered here. The device may also determine the K factor using a teach-in procedure: see chap. "8.6.4".

! The device will use the new K factor as soon as "SAVE YES" is confirmed when leaving the Parameters menu.

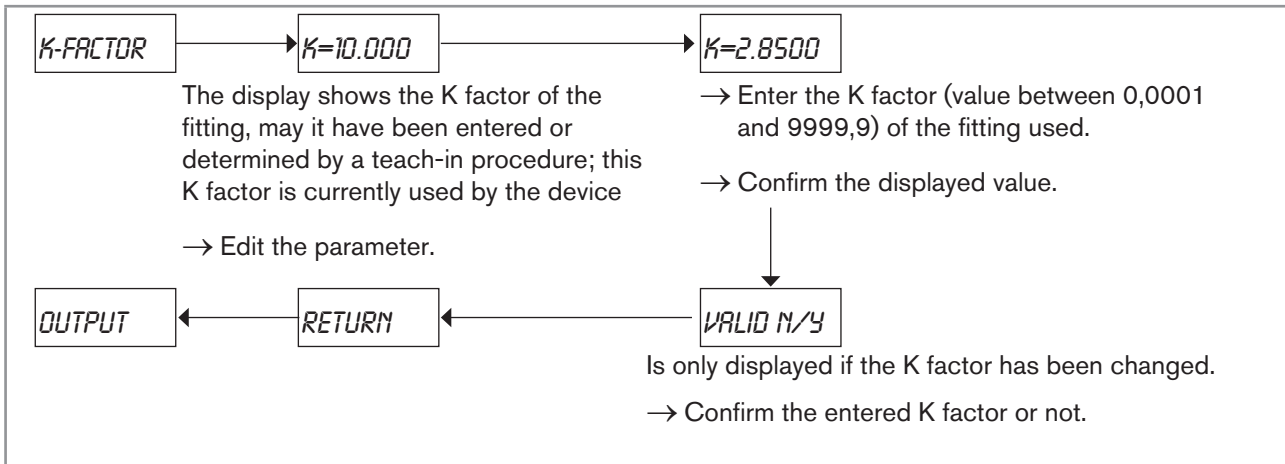



Fig. 29: Entering the K factor of the fitting used

→ If you do not want to adjust another parameter, go to the "END" parameter of the Parameters menu and press  to save the settings or not and go back to the Process level.

8.6.4. Determining the fitting K factor using a teach-in procedure

! Before any teach-in procedure, do the following:

- Calibrate the flow zero point of the device. See chap. 8.7.2.
- Check that the Kw coefficient of the sensor has not been disturbed. See chap. 8.7.4.

The device determines the flow rate in the pipe using the fitting K factor.

The "TEACH V." or "TEACH F." parameter allows the device to determine the fitting K factor using a teach-in procedure. The K factor may also be directly entered: see chap. "8.6.3".

The teach-in can be done either depending on a known volume ("TEACH V.") or depending on the flow rate ("TEACH F.") in the pipe that has been measured with a reference device.

Determine the fitting K factor using a teach-in procedure depending on a volume ("TEACH V.")

The device will use the new K factor as soon as "SAVE YES" is confirmed when leaving the Parameters menu.

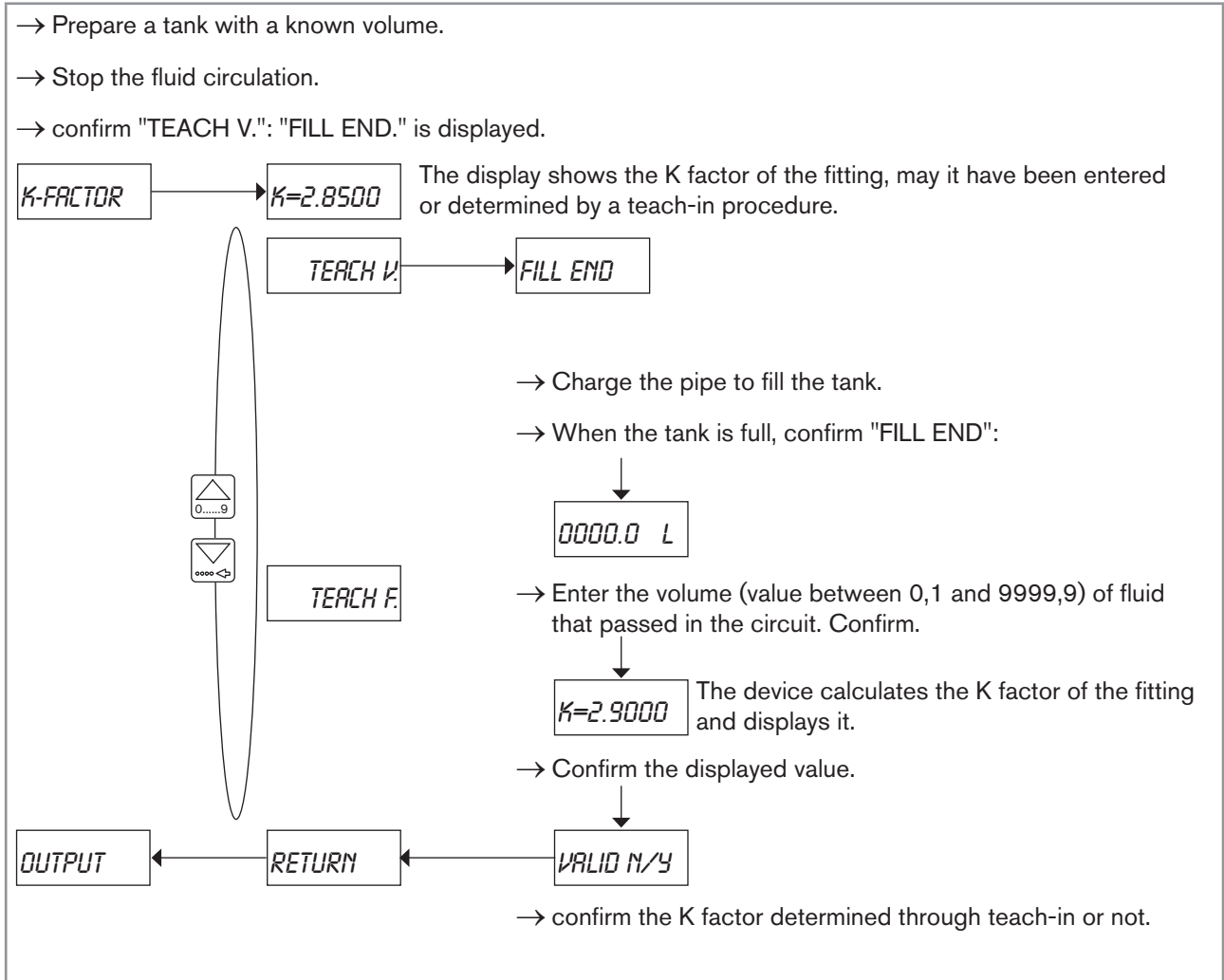


Fig. 30: Teach-in procedure depending on a volume

→ If you do not want to adjust another parameter, go to the "END" parameter of the Parameters menu and press to save the settings or not and go back to the Process level.

Determine the fitting K factor using a teach-in procedure depending on a volume ("TEACH F.")



The device will use the new K factor as soon as "SAVE YES" is confirmed when leaving the Parameters menu.

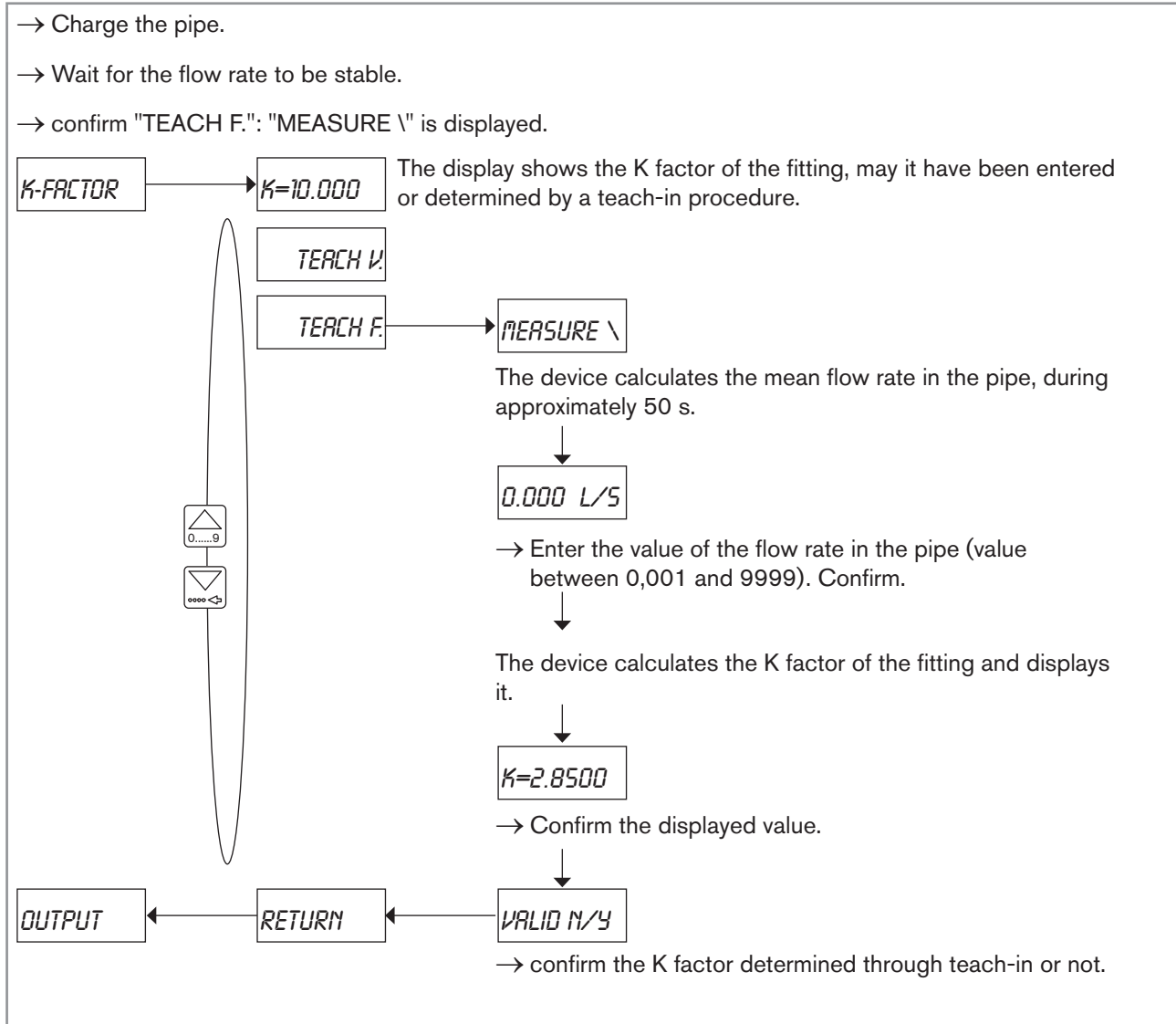



Fig. 31: Teach-in procedure depending on the flow rate

→ If you do not want to adjust another parameter, go to the "END" parameter of the Parameters menu and press  to save the settings or not and go back to the Process level.

8.6.5. Configuring the outputs (general diagram)

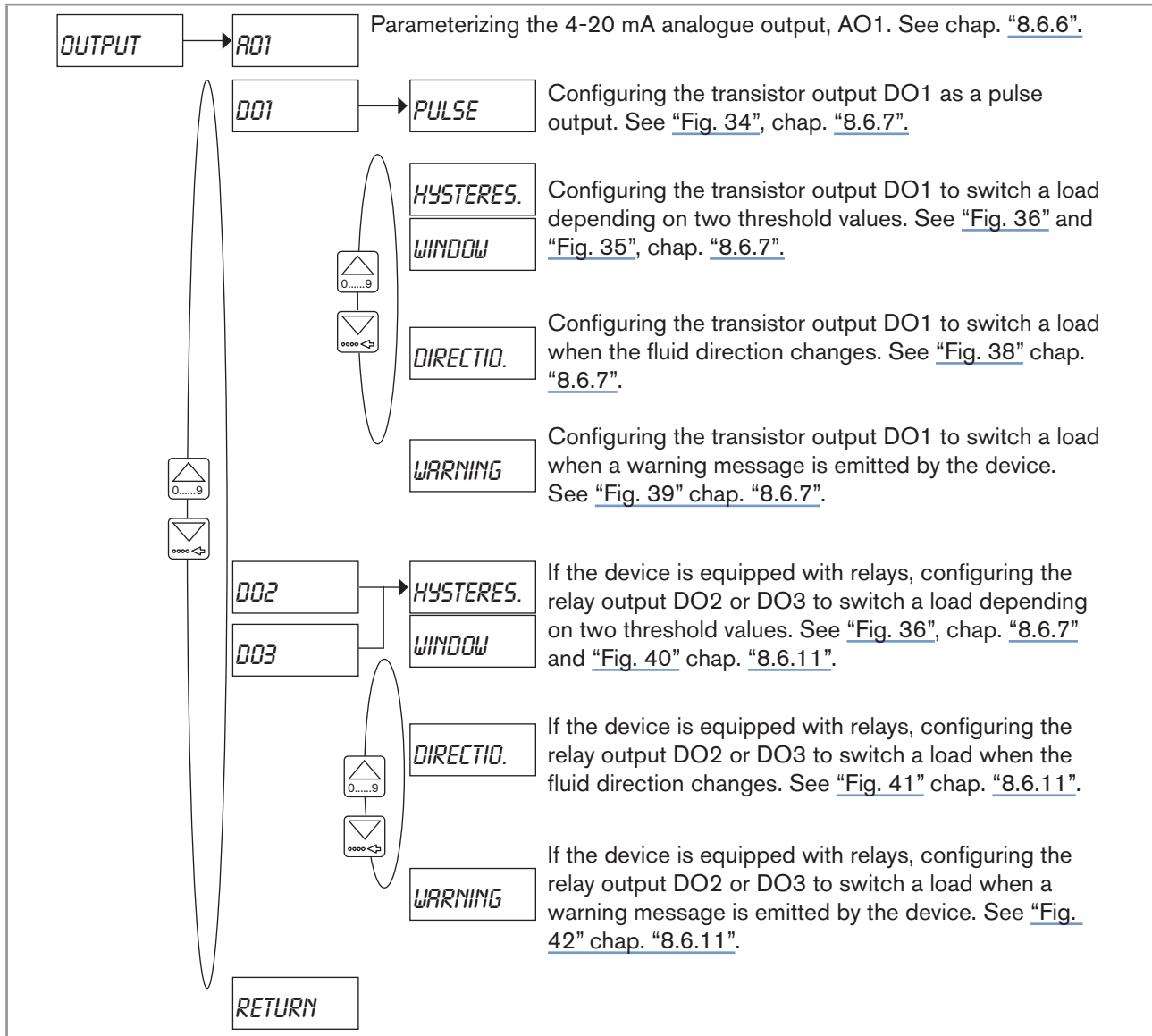


Fig. 32: Diagram of the "OUTPUT" parameter of the Parameters menu

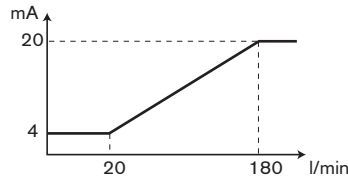
8.6.6. Configuring the AO1 current output



The current output gives a 22 mA current when the device shows an operation fault, even if the current output is disabled.

The 4-20 mA output provides an electrical current, the value of which reflects the flow rate measured by the device.

Example of relation between the measuring range and the current output:



→ To invert the output signal, give a lower flow rate value to the 20 mA current value than to the 4 mA current value.

→ To disable the current output, set both range bounds, 4 and 20 mA, to zero. In this case the output delivers a constant current of 4 mA.

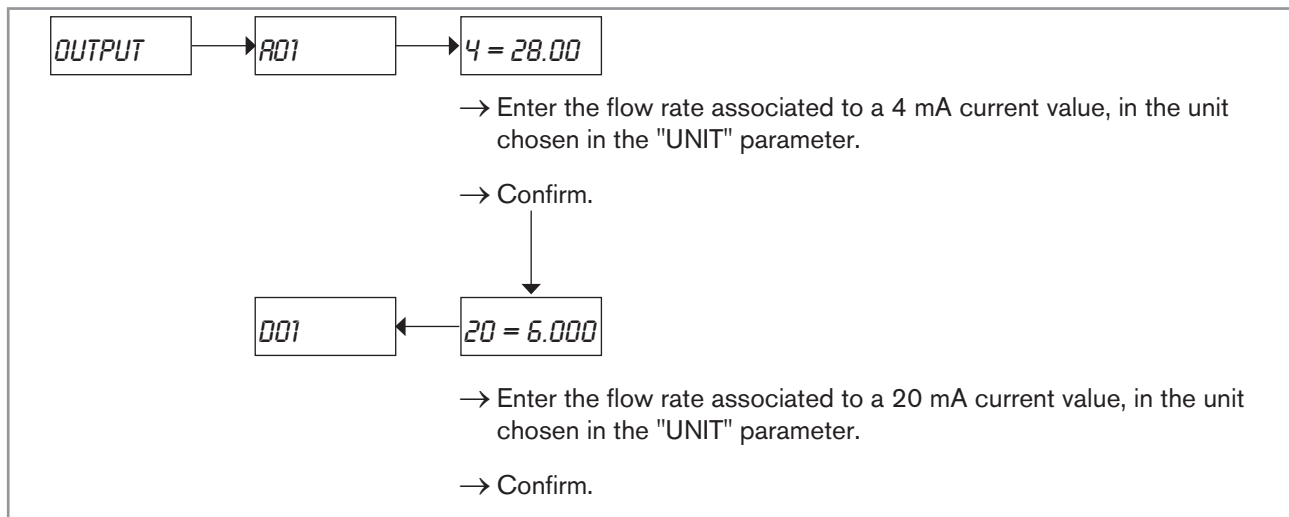


Fig. 33: Parameterizing the current output

8.6.7. Configuring the transistor output DO1 as a pulse output

When the DO1 transistor output is configured as a pulse output, a pulse is transmitted on the output each time the parametered volume of fluid has been measured by the device.

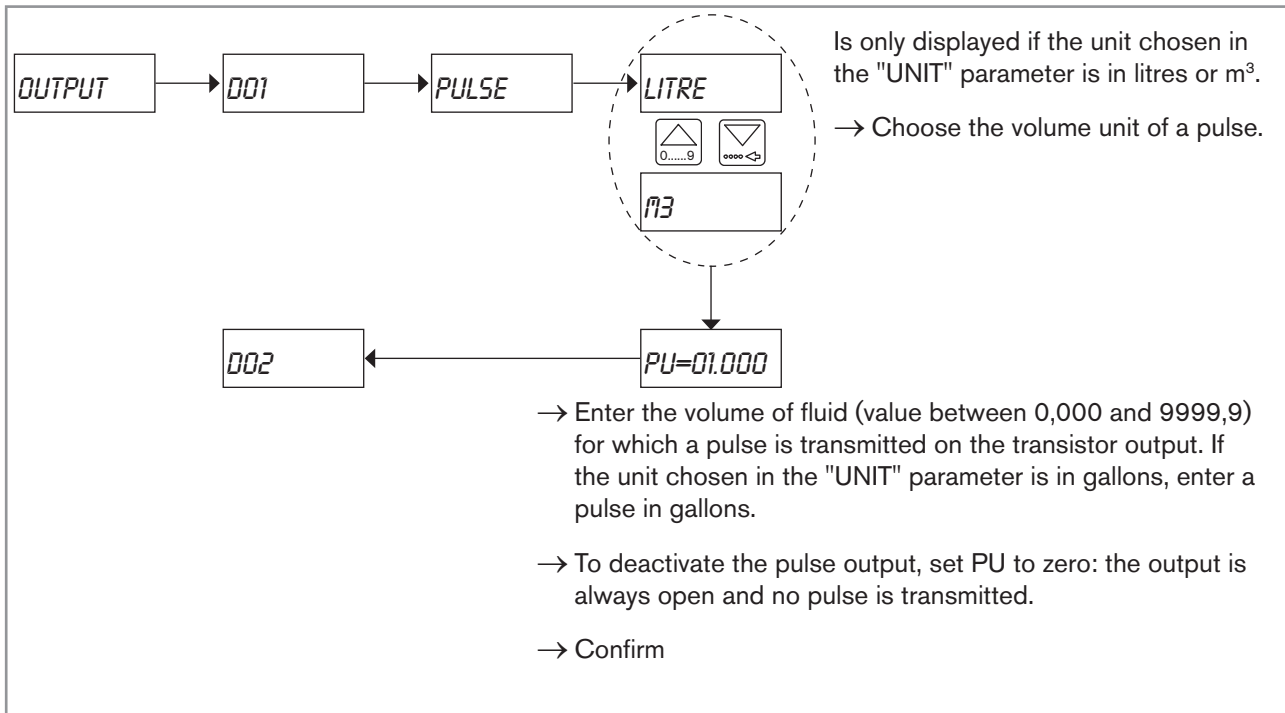


Fig. 34: Configuration of the transistor output DO1 as a pulse output

8.6.8. Configuring the transistor output DO1 to switch a load depending on two threshold values

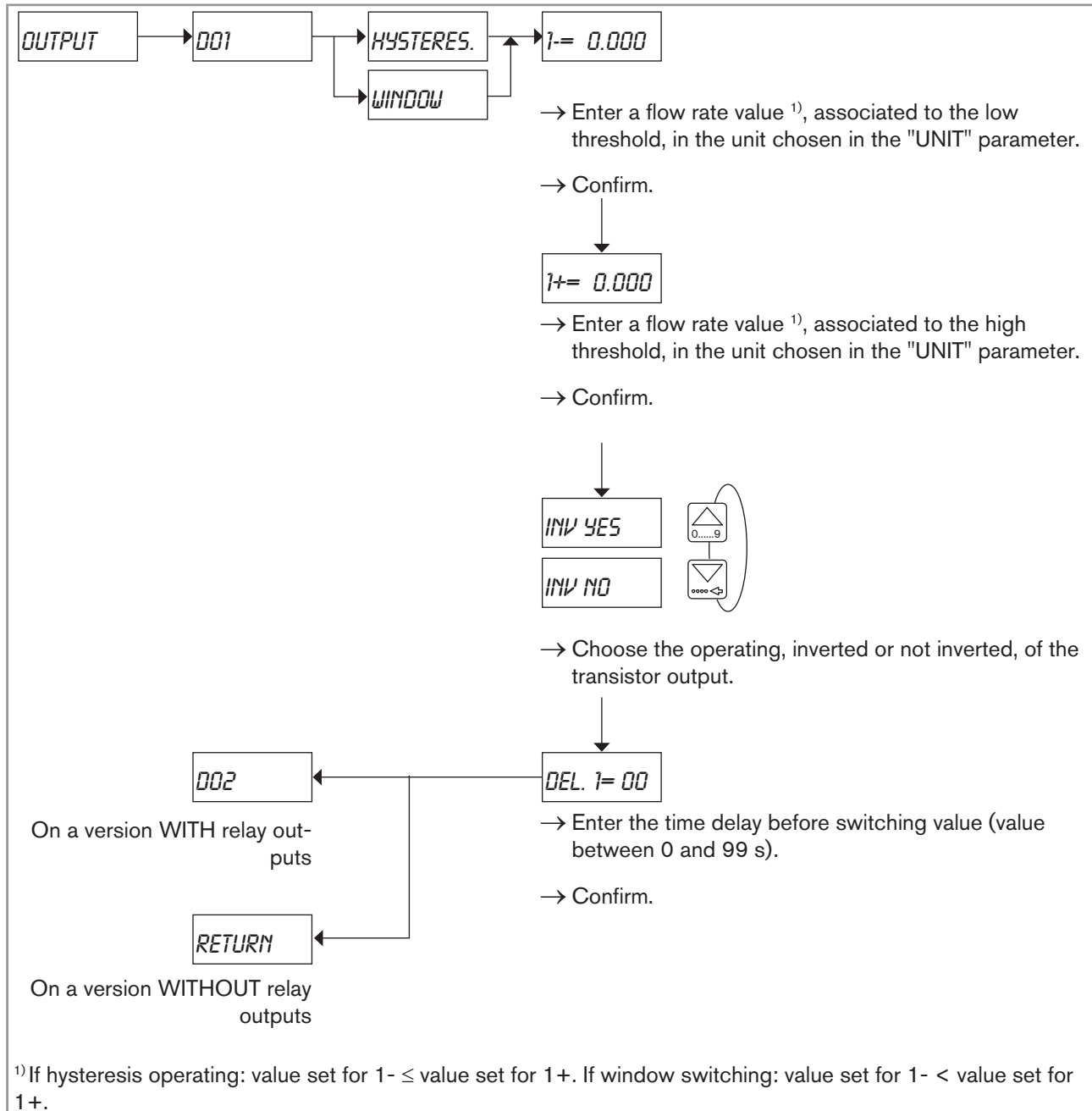


Fig. 35: Configuration of the DO1 transistor output with switching thresholds

MAN 1000180103 EN Version: C Status: RL (released | freigegeben) printed: 19.01.2015

Hysteresis switching

The output status changes when a threshold is reached:

- by increasing flow rate, the output status changes when the high threshold X+ is reached.
- by decreasing flow rate, the output status changes when the low threshold X- is reached.



X- = low switching threshold of the transistor or the relay (1-, 2- or 3-)

X+ = high switching threshold of the transistor or the relay (1+, 2+ or 3+)

Window switching: the output status changes as soon as any threshold (X- or X+) is reached.



X- = low switching threshold of the transistor or the relay (1-, 2- or 3-)

X+ = high switching threshold of the transistor or the relay (1+, 2+ or 3+)

Fig. 36: Window or hysteresis switching

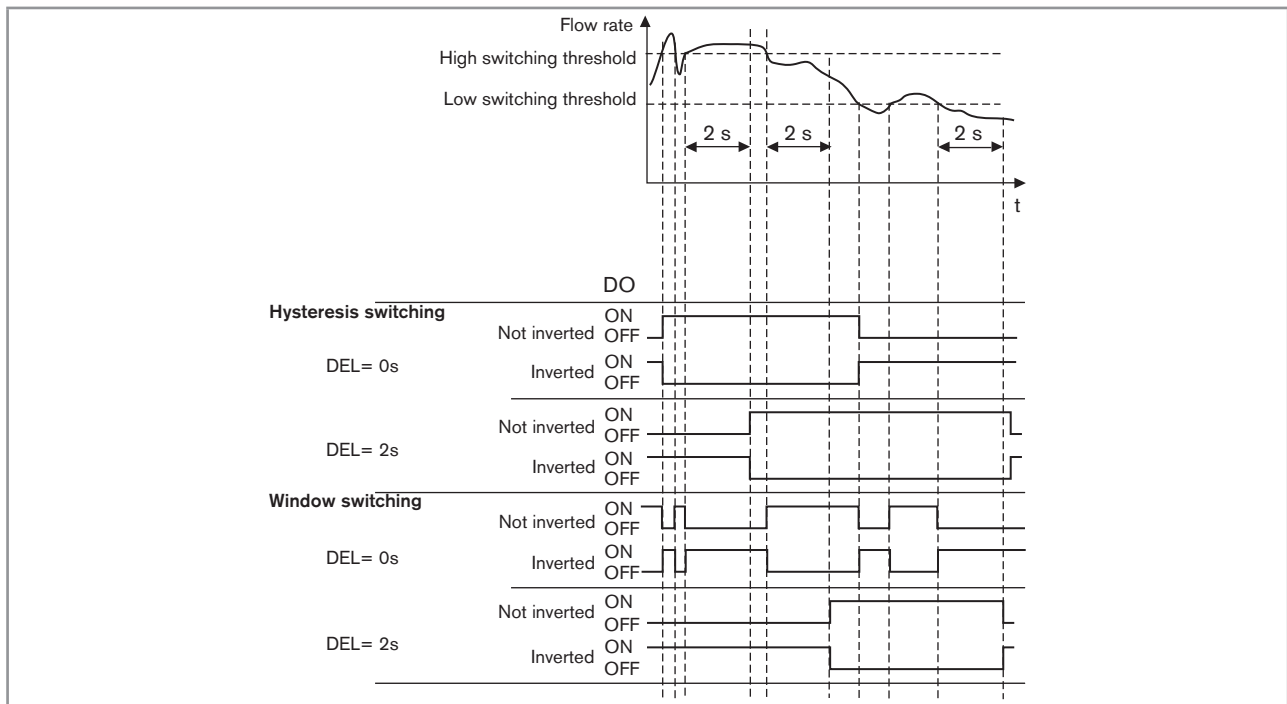


Fig. 37: Operation example of the transistor output with switching thresholds

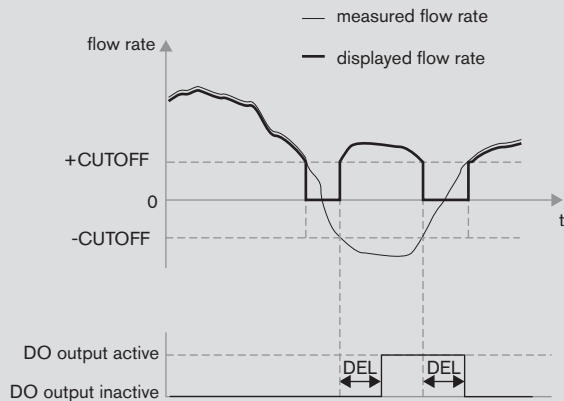
MAN 1000180103 EN Version: C Status: RL (released | freigegeben) printed: 19.01.2015

8.6.9. Configuring the transistor output DO1 to switch a load when the fluid direction changes

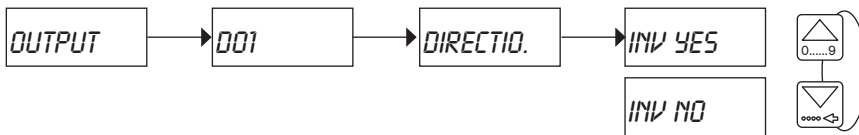
The DO1 transistor output can be configured to indicate the fluid circulation change.



When the measured flow rate is in the cut-off flow range (see chap. "8.6.16"), the flow rate is set to 0 and positive. The following diagram shows the behaviour of the DO output when it is configured to indicate the fluid circulation changes, when the CUT-OFF function is used.



As long as the measured flow rate is lower than "-CUTOFF", the device status LED is orange and the message "NEG. FLOW" is added to the warning message list.



→ Choose the operating, inverted or not inverted, of the transistor output.



On a version WITH relay outputs

→ Enter the time delay before switching value (value between 0 and 99 s).

→ Confirm.



On a version WITHOUT relay outputs

Fig. 38: Configuration of the DO1 transistor output to indicate the fluid circulation changes

8.6.10. Configuring the transistor output DO1 to switch a load when a warning message is emitted by the device

When the device generates a warning message, the device status LED is orange.

The generation of a warning message can also be indicated by the switching of the transistor output.

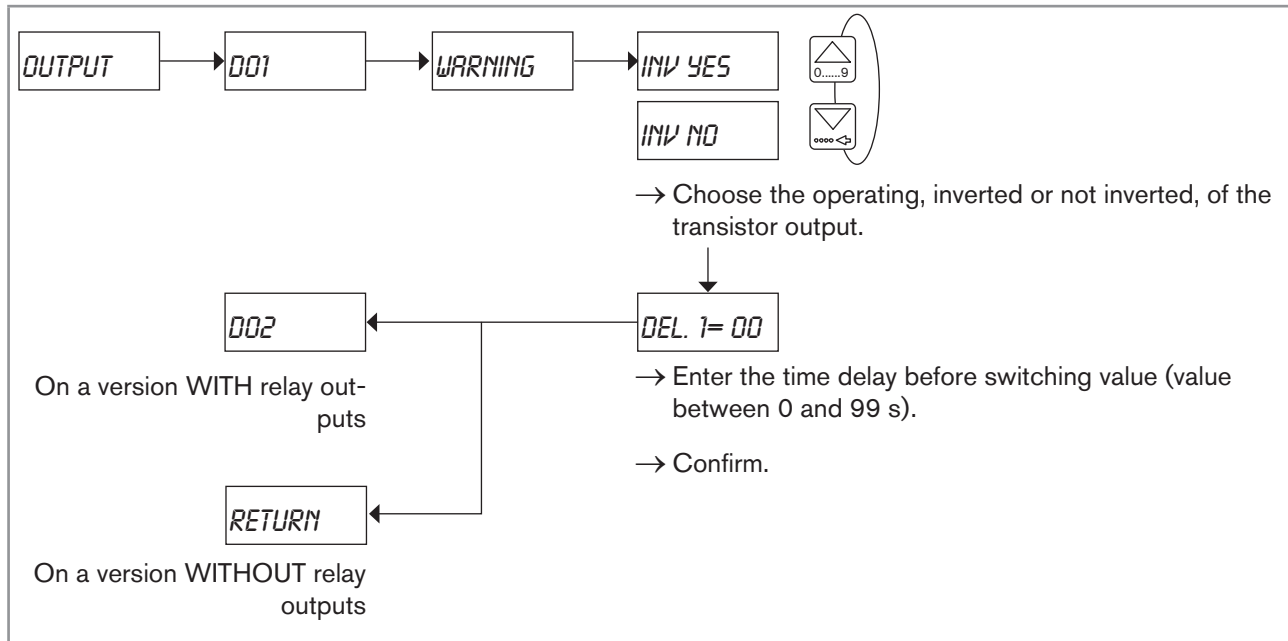


Fig. 39: Configuration of the DO1 transistor output to indicate the generation of a warning message

8.6.11. Configuring the DO2 and DO3 relay outputs

Any DO relay output can be configured either:

- to switch a load depending on two thresholds. See [“Fig. 36”](#), chap. [“8.6.7”](#) and [“Fig. 40”](#).
- to switch a load to indicate the fluid circulation changes. See [“Fig. 41”](#).
- to switch a load when a warning message is generated by the device. See [“Fig. 42”](#).

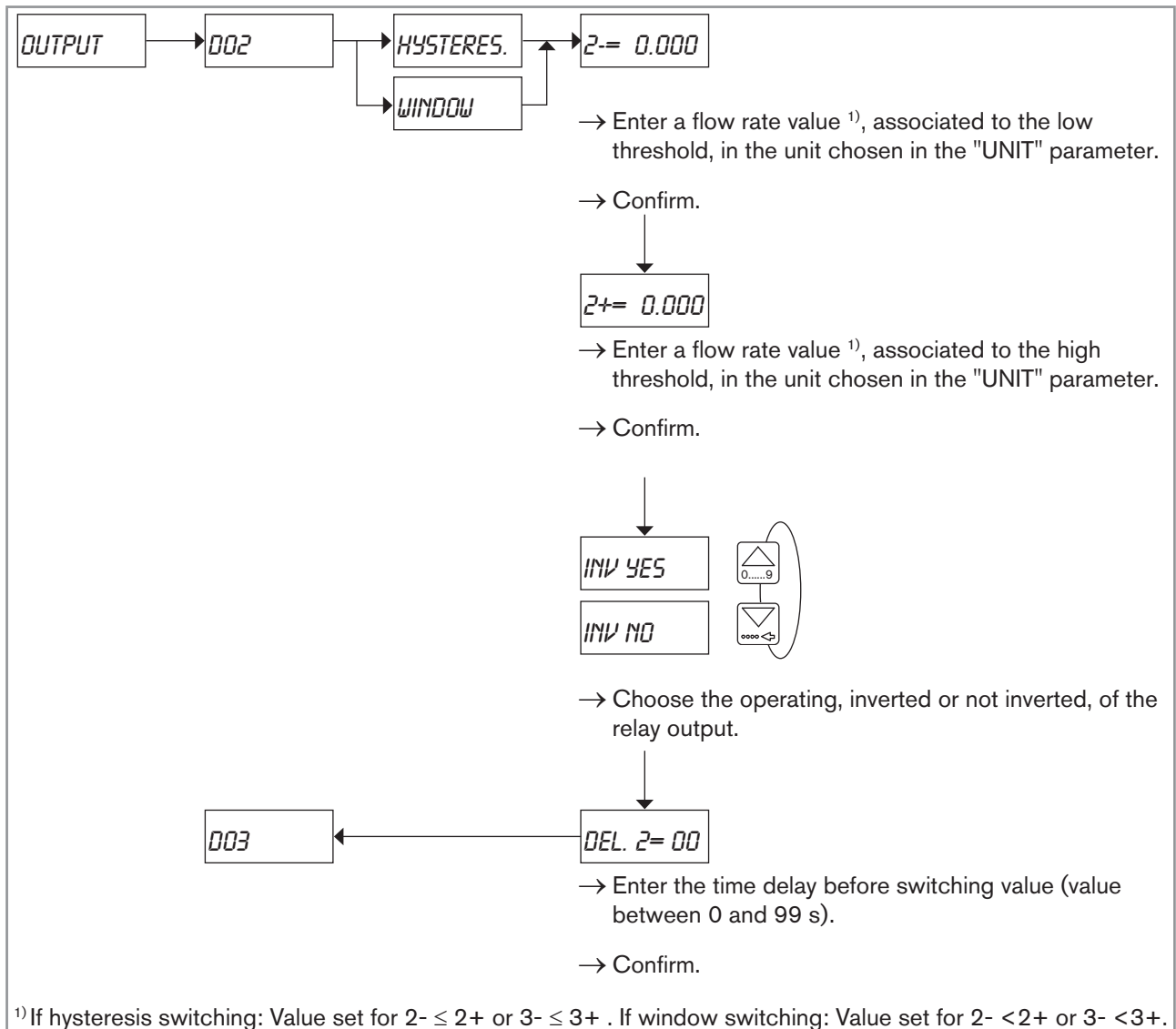
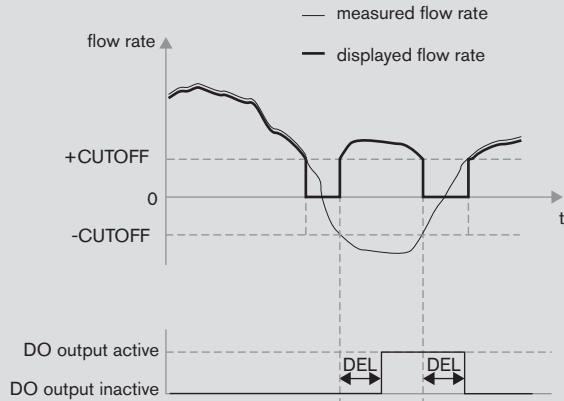


Fig. 40: Configuration of the DO2 or DO3 relay output with switching thresholds

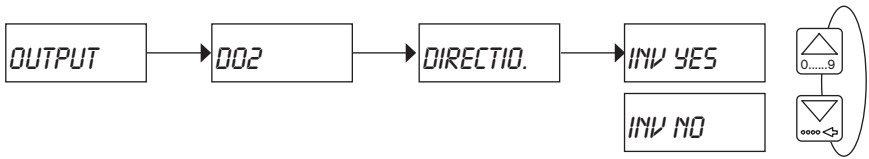


When the measured flow rate is in the cut-off flow range (see chap. "8.6.16"), the flow rate is set to 0 and positive. The following diagram shows the behaviour of the DO output when it is configured to indicate the fluid circulation changes, when the CUT-OFF function is used.

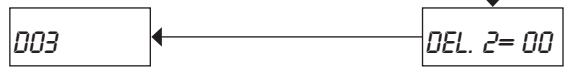


As long as the measured flow rate is lower than "-CUTOFF", the device status LED is orange and the message "NEG. FLOW" is added to the warning message list.

The DO2 or DO3 relay output can be configured to indicate the fluid circulation change.



→ Choose the operating, inverted or not inverted, of the relay output.



→ Enter the time delay before switching value (value between 0 and 99 s).

→ Confirm.

Fig. 41: Configuration of the DO2 or DO3 relay output to indicate the fluid circulation changes

When the device generates a warning message, the device status LED is orange.

The generation of a warning message can also be indicated by the switching of the relay output.

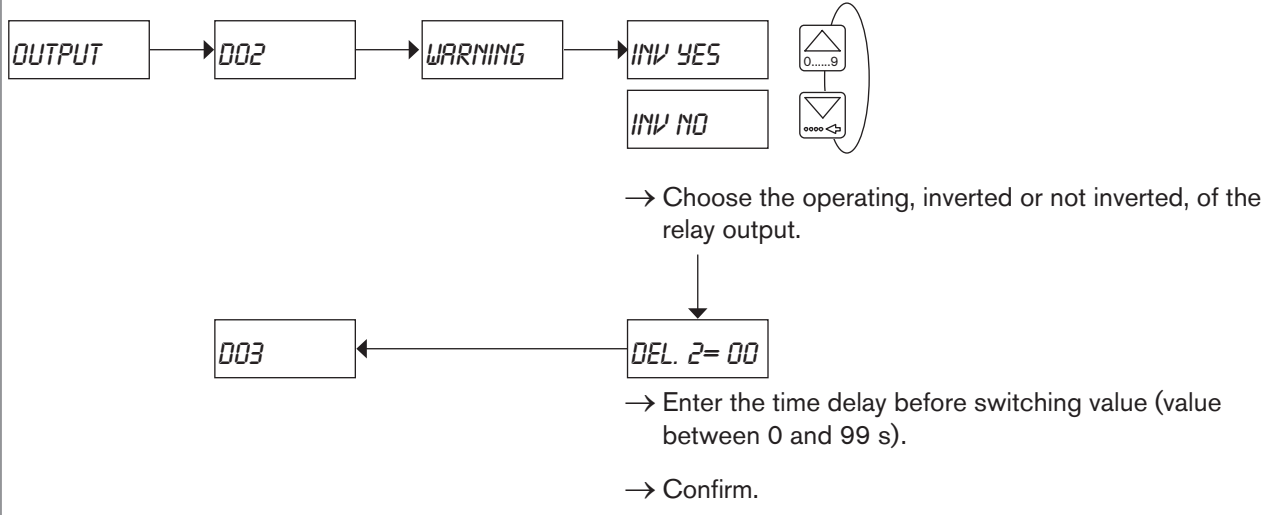



Fig. 42: Configuration of the DO2 or DO3 relay output to indicate the generation of a warning message

→ If you do not want to adjust another parameter, go to the "END" parameter of the Parameters menu and press  to save the settings or not and go back to the Process level.

8.6.12. Configuring the DI1 digital input

The DI1 digital input makes it possible to remotely trigger one out of four device functions.

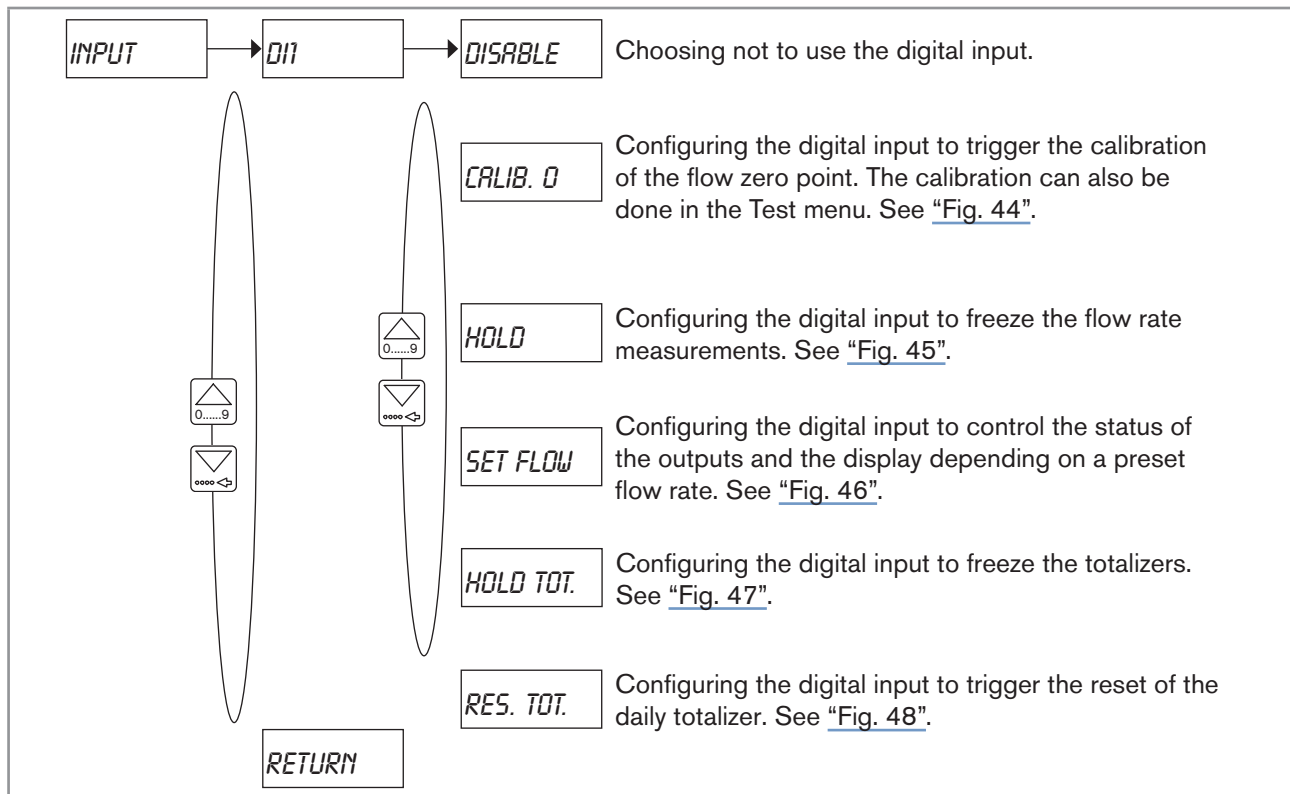


Fig. 43: Diagram of the "INPUT" parameter of the Parameters menu

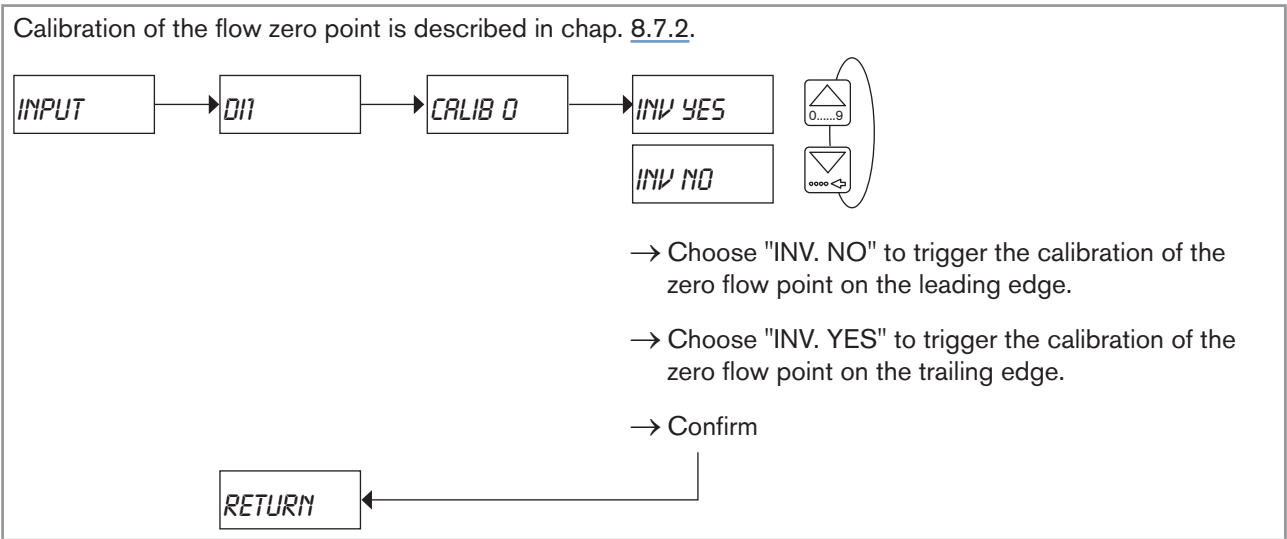


Fig. 44: Configuration of the digital input to trigger the calibration of the flow zero point



The HOLD mode is ignored if there is a running check for the correct behaviour of the outputs (see chap. "8.7.3").

The Hold mode is used to carry out maintenance work without interrupting the process.

In practice, when the device is in Hold mode:

- the device status LED flashes.
- the current transmitted on the 4-20 mA is frozen to the value of the last measured flow rate.
- the displayed flow rate is frozen to the value of the last measured flow rate.
- each relay or transistor output is frozen to the status it had when the Hold mode was activated.
- the totalizers do not increment any more.
- the device is in the Hold mode until the digital input switches again.

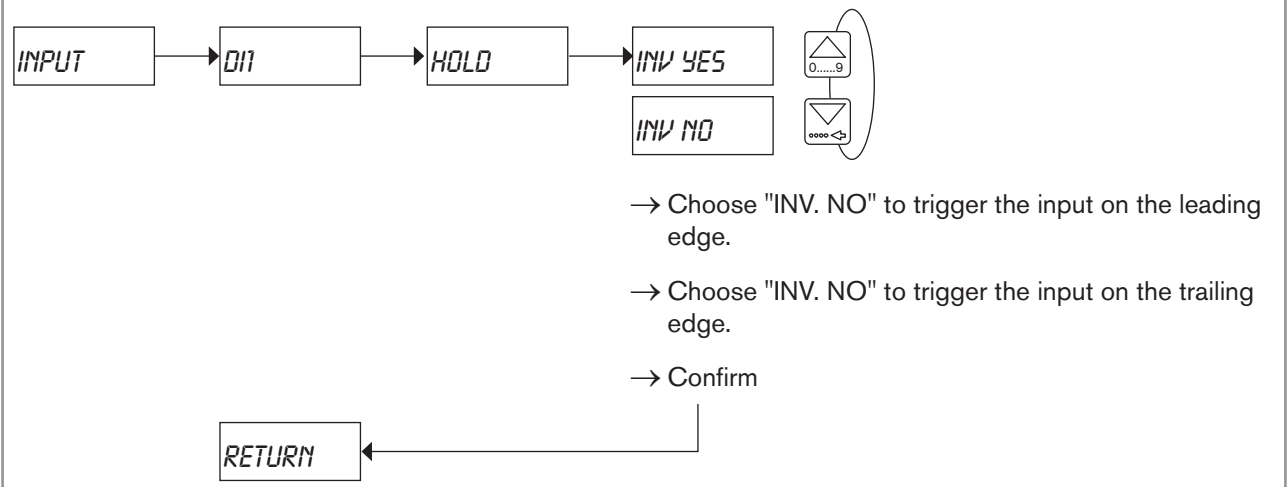


Fig. 45: Configuration of the digital input to trigger the Hold mode of the device



The preset flow rate is ignored if there is a running check for the correct behaviour of the outputs (see chap. "8.7.3").

This function makes it possible, like the Hold mode, to freeze the flow rate measurement, but to a preset value set by the user.

When the digital input is activated:

- the device status LED flashes.
- the current transmitted on the 4-20 mA is frozen to the preset value of the flow rate.
- the displayed flow rate is frozen to the preset value of the flow rate.
- each transistor or relay output behaves depending on the preset flow rate.
- the totalizers do not increment any more.
- the preset flow rate is active until the digital input switches again.

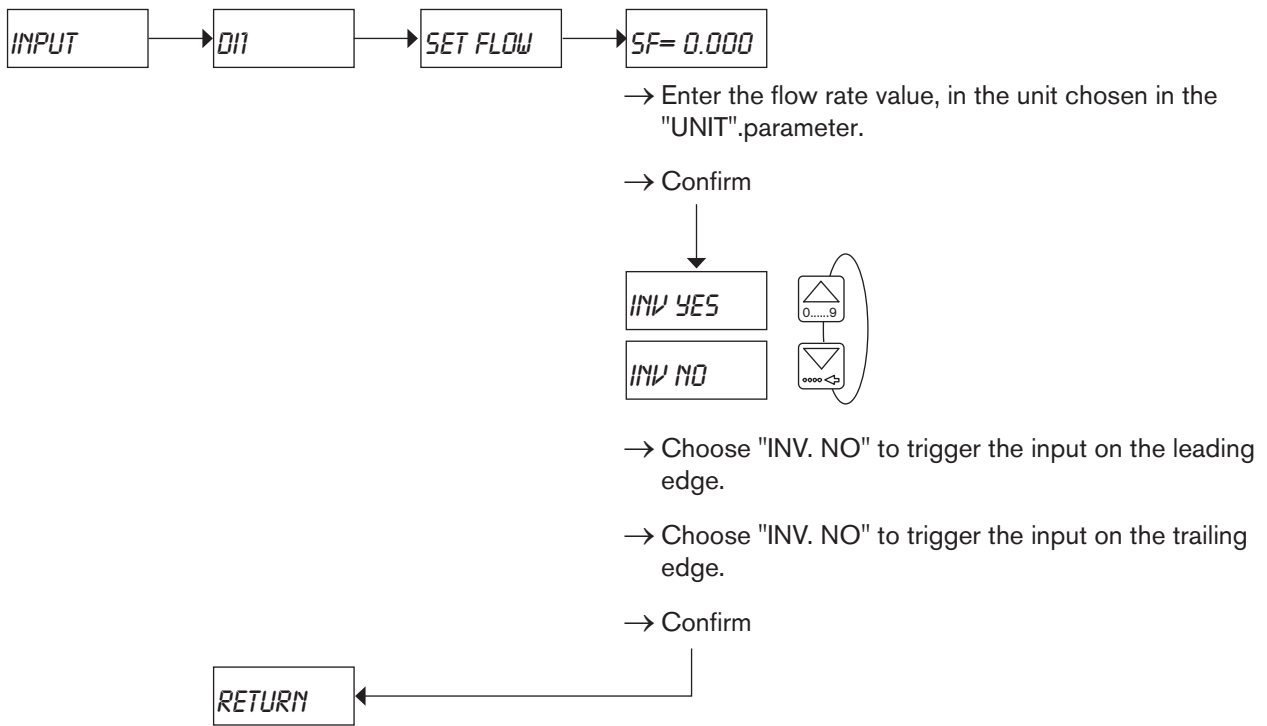


Fig. 46: Configuration of the digital input to trigger the status of the outputs depending on a preset flow rate

The Hold Tot. mode is used to freeze the totalizers while carrying out maintenance work.

In practice, when the device is in Hold Tot. mode:

- the totalizers do not increment any more.
- the device status LED flashes.
- the displayed flow rate, the current transmitted on the 4-20 mA and each transistor or relay output behaviours correspond to the normal value of the measured flow rate.
- the device is in the Hold Tot. mode until the digital input switches again.

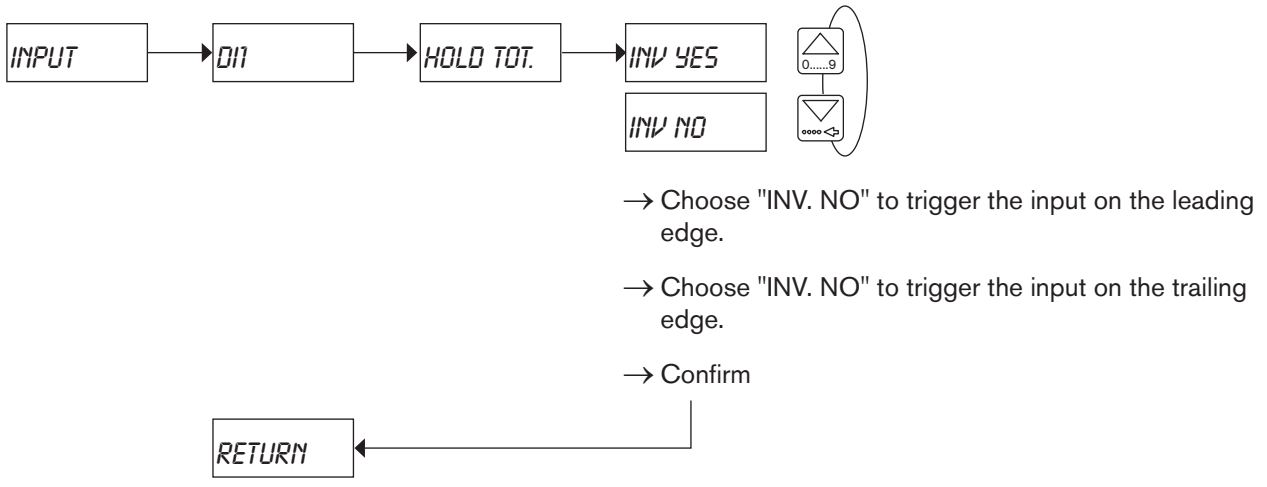


Fig. 47: Configuration of the digital input to freeze the totalizers



The daily totalizer is maintained to zero until the digital input switches again.

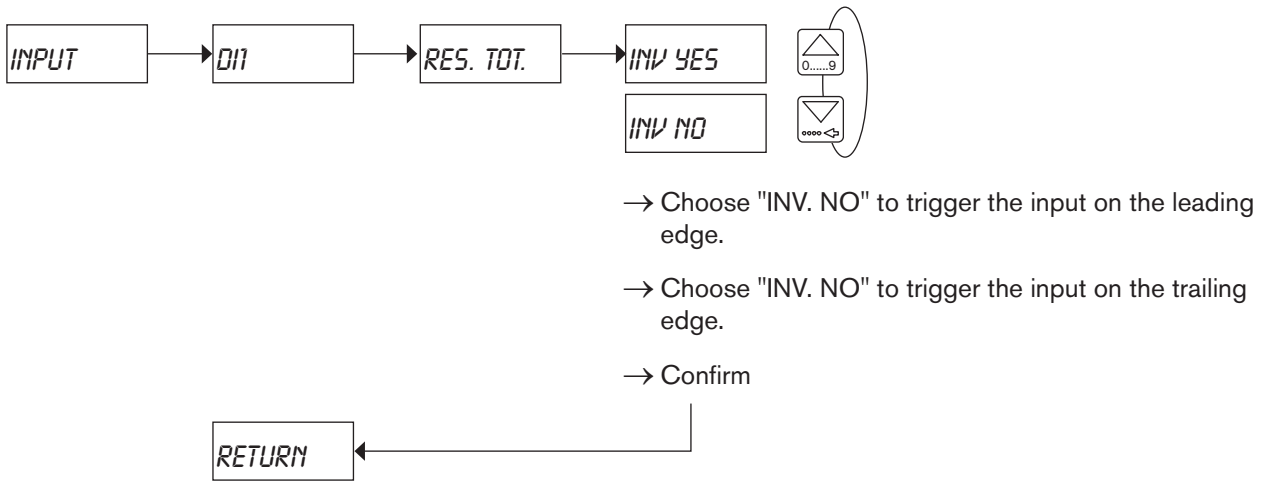


Fig. 48: Configuration of the digital input to trigger the reset of the daily totalizer

→ If you do not want to adjust another parameter, go to the "END" parameter of the Parameters menu and press



to save the settings or not and go back to the Process level.

8.6.13. Configuring the filter of the measured flow rate

This parameter makes it possible to dampen the fluctuations:

- of the display,
- of the AO1 current output.

Ten filters are available.



When the "fast" filter is active and the flow rate varies for $\pm 30\%$ (for example when charging the pipe or stopping the flow), the filter is disabled: the new flow rate is immediately taken into account by the device.



If a too high filter is chosen, the device does not detect the sudden flow rate changes thus the flow rate in the pipe may strongly defer from the displayed flow rate or the flow rate transmitted to the current output.

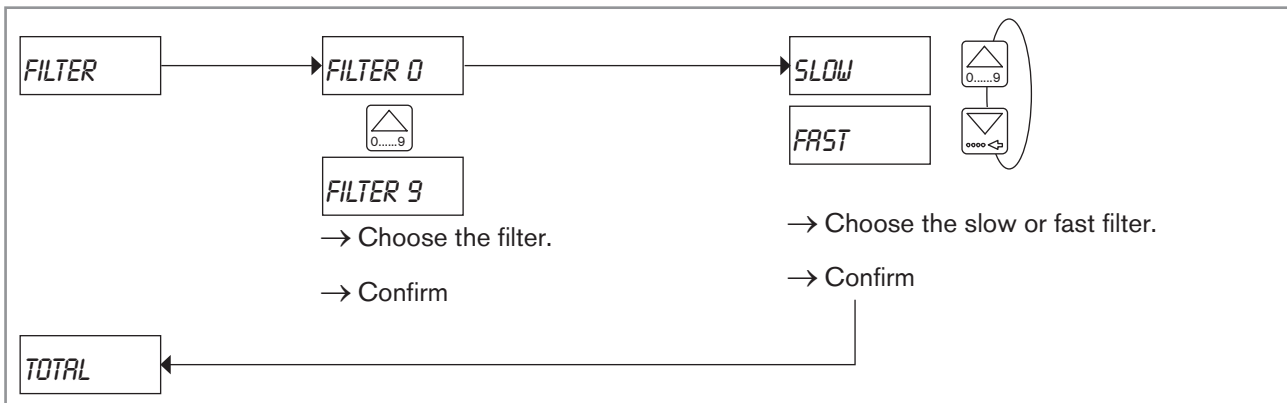


Fig. 49: Diagram of the "FILTER" parameter of the Parameters menu

The following table shows for each filter, the response times (10% to 90%):

Filter	Response time	Filter	Response time
0	1 s	5	8 s
1	2 s	6	15 s
2	3 s	7	28 s
3	4 s	8	70 s
4	5 s	9	145 s

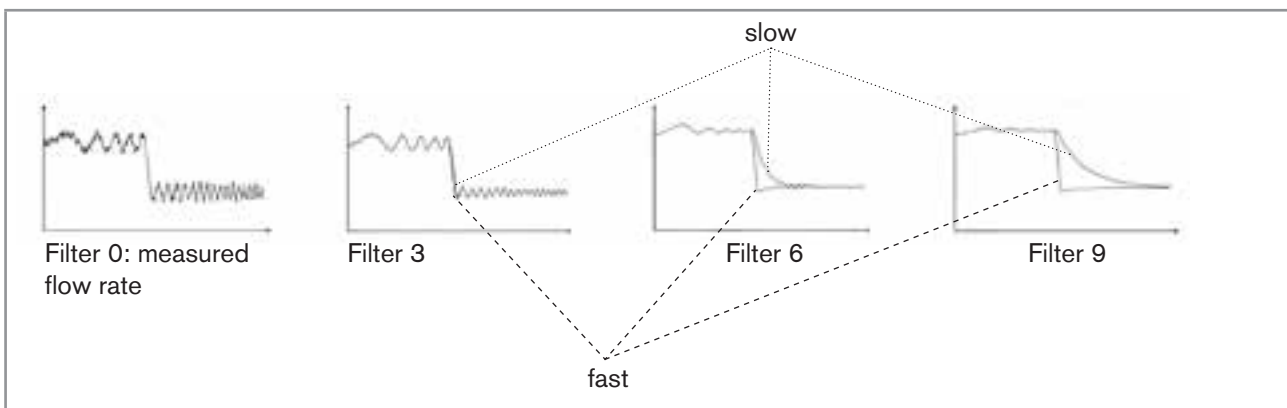



Fig. 50: Available filters

→ If you do not want to adjust another parameter, go to the "END" parameter of the Parameters menu and press  to save the settings or not and go back to the Process level.

8.6.14. Resetting both totalizers

This parameter makes it possible to reset both totalizers.

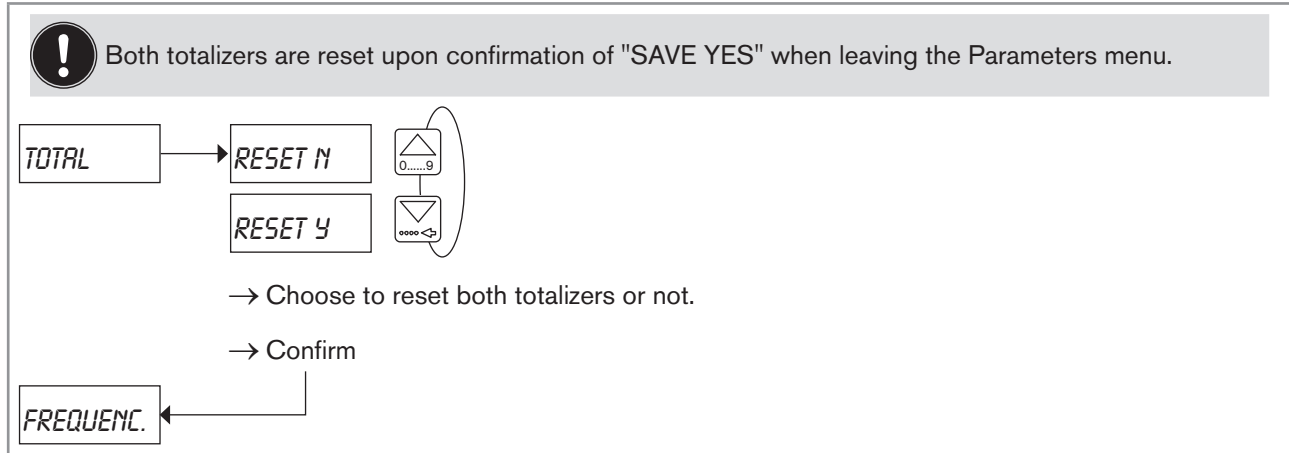


Fig. 51: Diagram of the "TOTAL" parameter of the Parameters menu

The daily totalizer can be reset from the Process level or via the digital input.

→ If you do not want to adjust another parameter, go to the "END" parameter of the Parameters menu and press to save the settings or not and go back to the Process level.

8.6.15. Configuring the electric network frequency

This parameter makes it possible to configure the electric network frequency so that the device can filter the interfering signals of the power supply.

Adjust this parameter even if the device operates with a DC voltage.

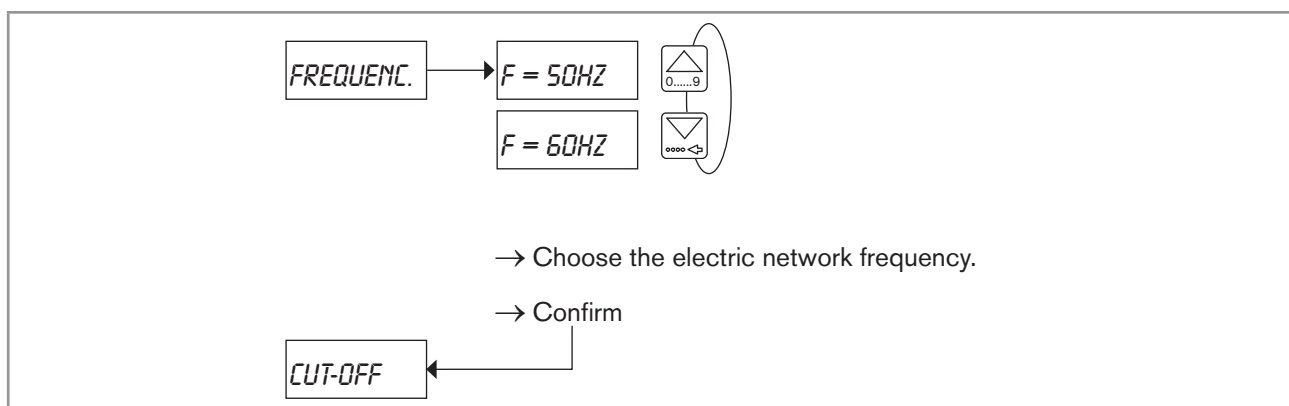


Fig. 52: Diagram of the "FREQUENC." parameter of the Parameters menu

→ If you do not want to adjust another parameter, go to the "END" parameter of the Parameters menu and press to save the settings or not and go back to the Process level.

MAN 1000180103 EN Version: C Status: RL (released | freigegeben) printed: 19.01.2015

8.6.16. Parameterizing the cut-off flow rate

This parameter makes it possible to set the flow rate value to 0 if the measured value is less than the set cut-off value:

- the display then shows a flow rate = 0 (a dot is displayed after the flow rate units).
- the outputs and the totalizers react as if the actual flow rate was = 0.

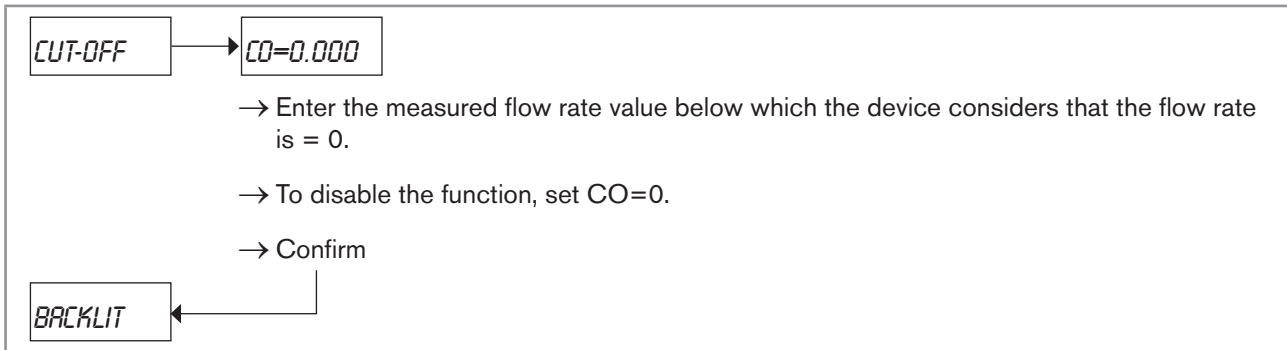


Fig. 53: Diagram of the "CUT-OFF" parameter of the Parameters menu

→ If you do not want to adjust another parameter, go to the "END" parameter of the Parameters menu and press



to save the settings or not and go back to the Process level.

8.6.17. Setting the brightness of the display and how long it stays ON, or deactivating the backlight

This parameter makes it possible:

- to adjust the brightness of the display and how long the display is backlit after a key press.
- to deactivate the backlight.

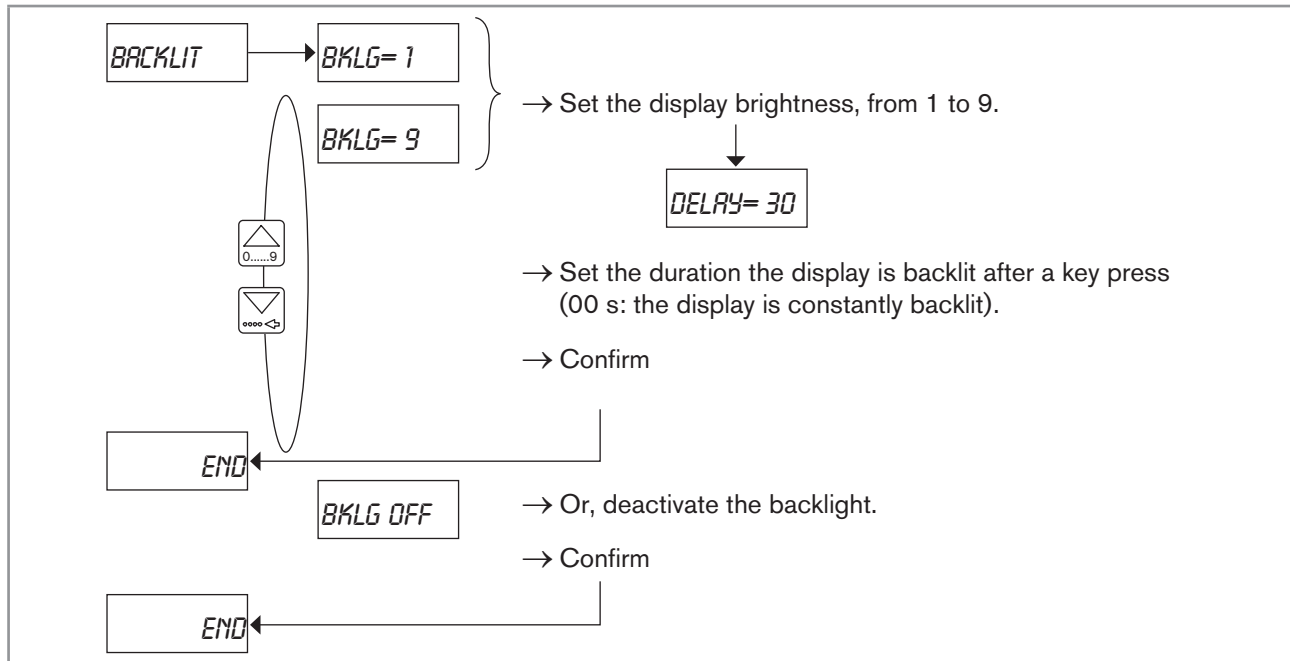





Fig. 54: Diagram of the "BACKLIT" parameter of the Parameters menu

→ If you do not want to adjust another parameter, confirm the "END" parameter to save the settings or not and go back to the Process level.

8.7. Details of the Test menu

To access the Test menu, simultaneously press keys    for at least 5 s.

This menu comprises the following configurable parameters:

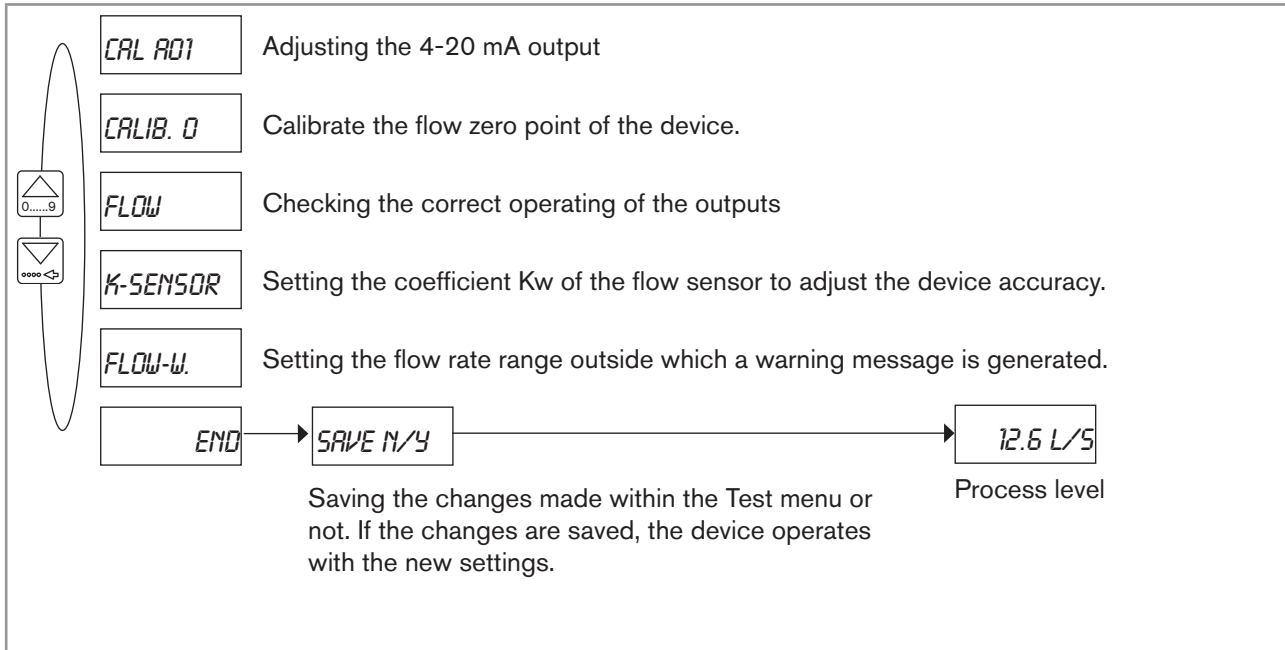


Fig. 55: Diagram of the Test menu

8.7.1. Adjusting the current output

This parameter makes it possible to adjust the value of the current transmitted on the analogue output.

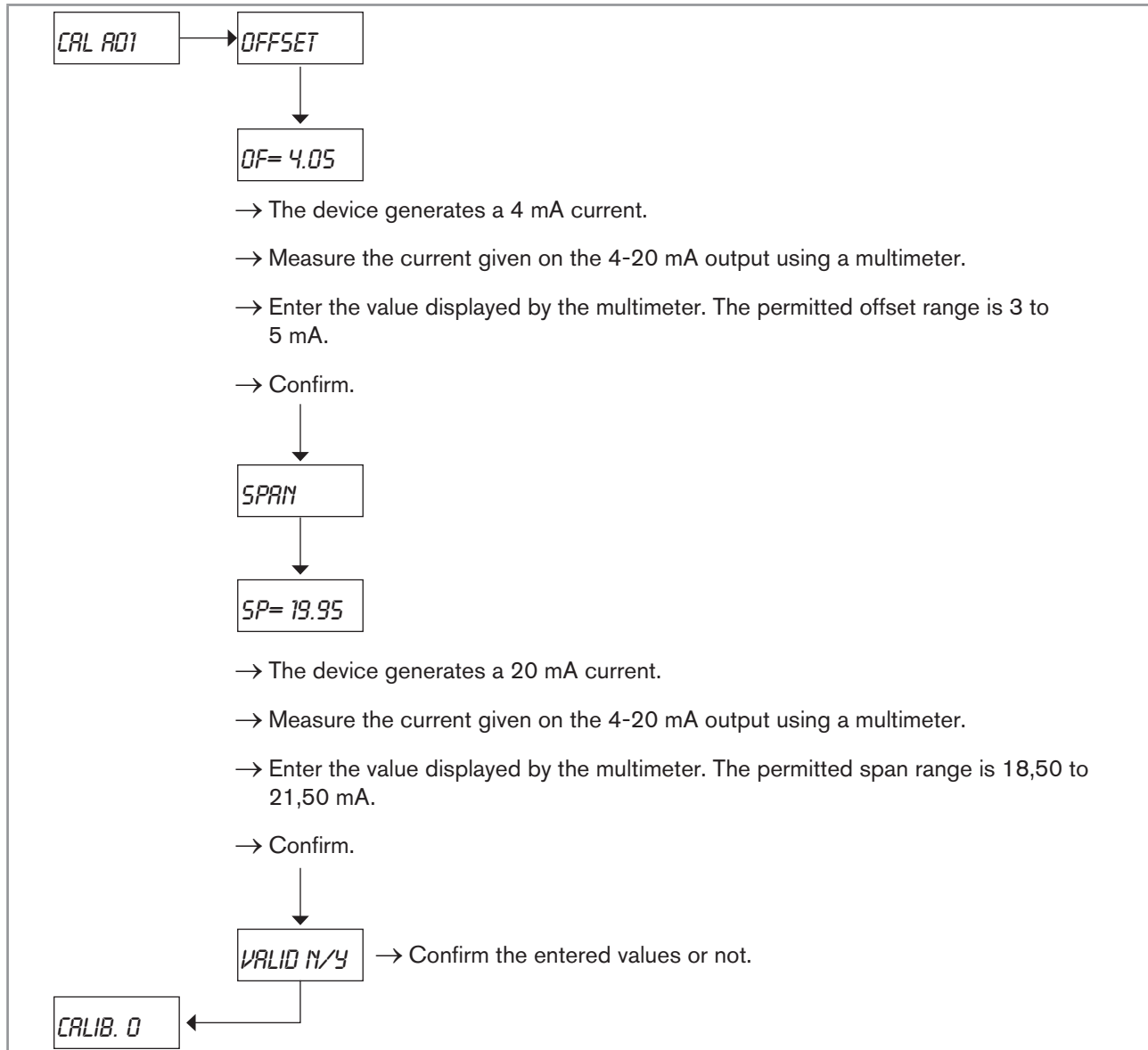



Fig. 56: Diagram of the "CAL AO1" of the Test menu

→ If you do not want to adjust another parameter, go to the "END" parameter of the Test menu and press  to save the settings or not and go back to the Process level.

8.7.2. Calibrating the flow zero point



Adjust this parameter:

- before carrying out a teach-in procedure of the K factor.
- after maintenance work.
- if the measured flow rate is not zero whereas the fluid circulation has been stopped.



Make sure there are no bubbles in the pipe.



Before calibrating the flow zero point:

- at first commissioning the device, immerse the sensor in fluid for 24 hours before calibration.
- after maintenance work, immerse the sensor in the fluid for 1 hour before calibration.



During the calibration:

- the device status LED flashes.
- the outputs are frozen to the last measured flow rate value.
- the device cannot be configured.

The flow zero point calibration can be:

- either remotely triggered via the digital input. See chap. "8.6.12" and "Fig. 57".
- either carried out using this parameter in the Test menu; See "Fig. 58".

- Charge the pipe.
- Stop the fluid circulation.
- Make sure the fluid is still.
- Make sure the device status LED is green.
- Make sure the device is in the Process level and not in the Configuration level.
- Activate the digital input configured to trigger the flow zero point calibration.

MEASURE /

The device calibrates the flow zero point during approximately 30 seconds.

Process level 0.000 L/S

- if the device status LED remains green, the calibration of the flow zero point has succeeded.
- if the device status LED is orange, the calibration of the flow zero point failed: the message "CAL. FAIL" is displayed in the warning message list. Restart the calibration.

Fig. 57: Flow zero point calibration via digital input

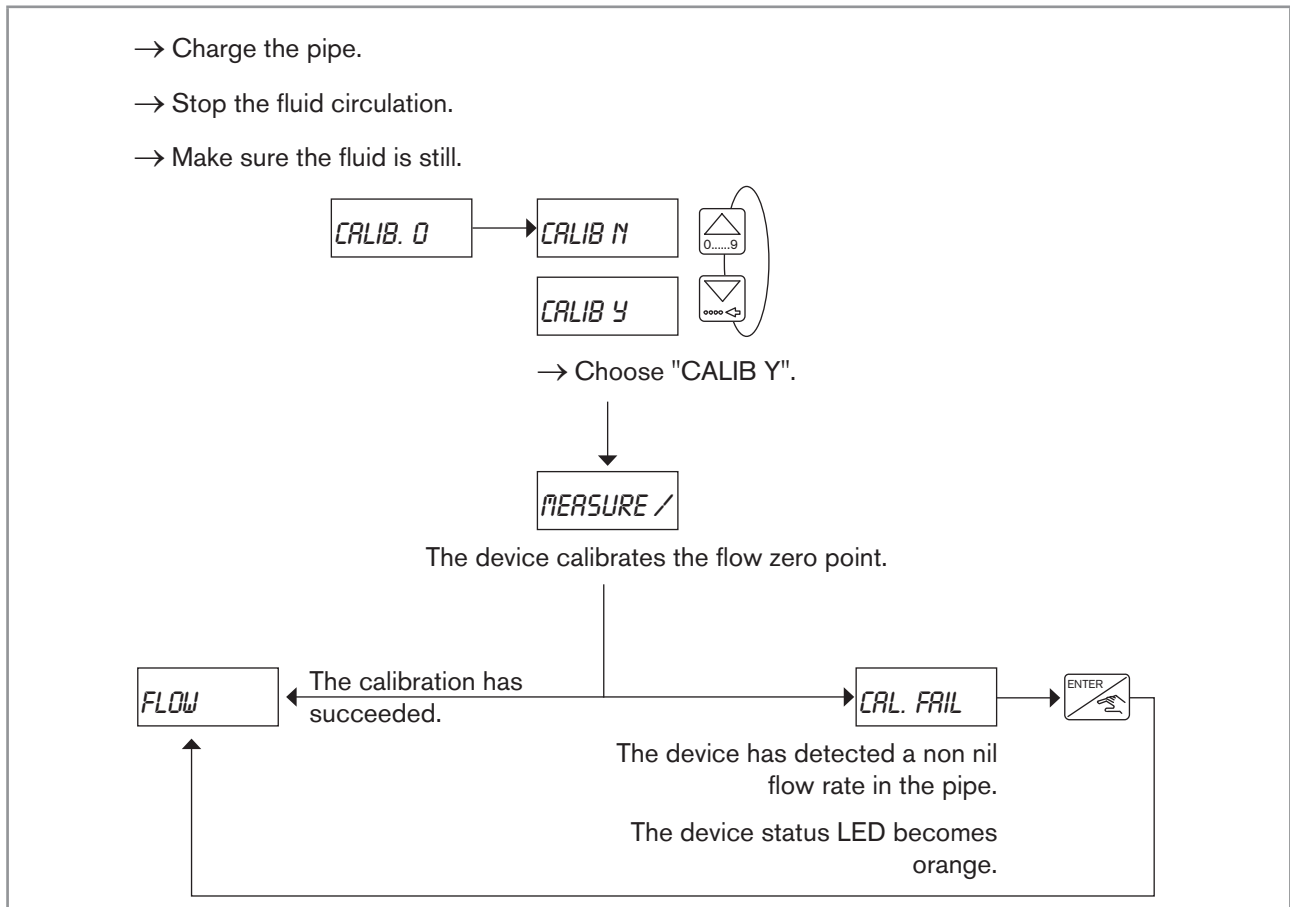



Fig. 58: Flow zero point calibration using the "CALIB 0" parameter of the Test menu

→ If you do not want to adjust another parameter, go to the "END" parameter of the Test menu and press  to save the settings or not and go back to the Process level.

8.7.3. Checking the outputs behaviour

This parameter makes it possible to check that the outputs are behaving as expected by the configuration made.



- The totalizers are incremented depending on the measured value of the flow rate and not the simulated value.
- The device status LED flashes during the running check of the output behaviour.

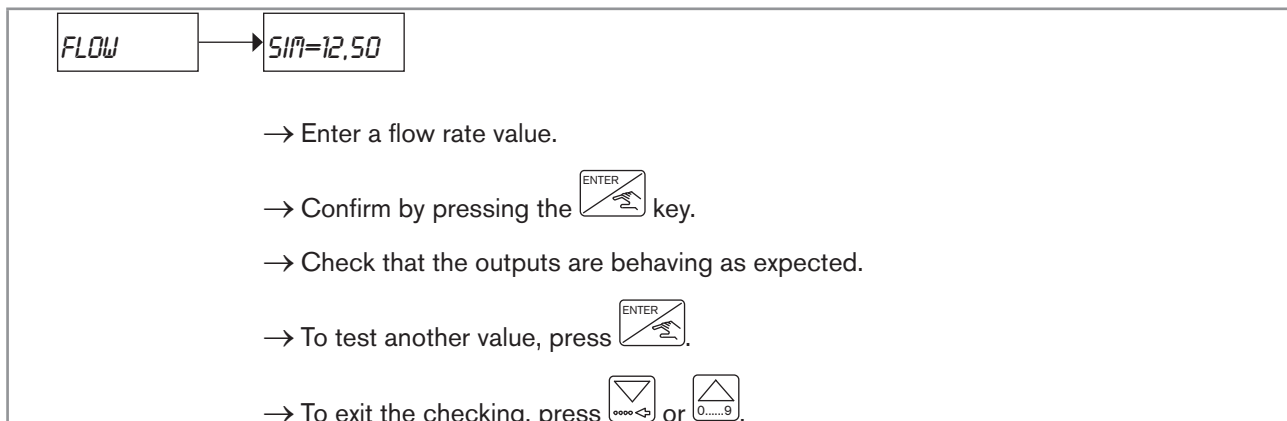



Fig. 59: Diagram of the "FLOW" parameter of the Test menu

→ If you do not want to adjust another parameter, go to the "END" parameter of the Test menu and press  to save the settings or not and go back to the Process level.

8.7.4. Setting the Kw coefficient of the flow sensor

This parameter makes it possible to adjust the accuracy of the device.



Modifying the Kw coefficient has consequences for determining the fitting K factor using a teach-in procedure. See chap. "8.6.4".

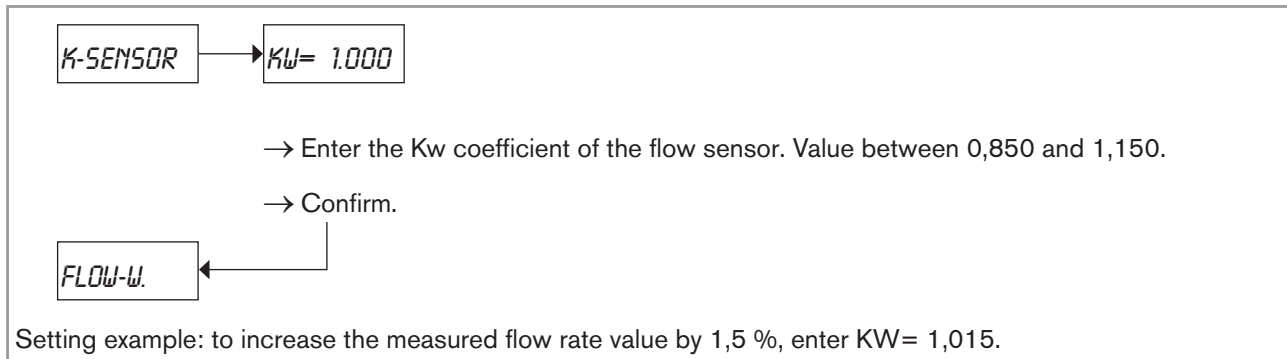



Fig. 60: Diagram of the "K-SENSOR" parameter of the Test menu

→ If you do not want to adjust another parameter, go to the "END" parameter of the Test menu and press  to save the settings or not and go back to the Process level.

8.7.5. Monitoring the flow rate in the pipe.

A malfunction in your process or the flow sensor may be indicated either by too low or too high a flow rate.

This parameter makes it possible to monitor the flow rate and configure the behaviour of the device if the parametered range is exceeded.



- To disable the flow rate monitoring, set W- = W+ = 0.
- To disable one of the limits, set it to 0.

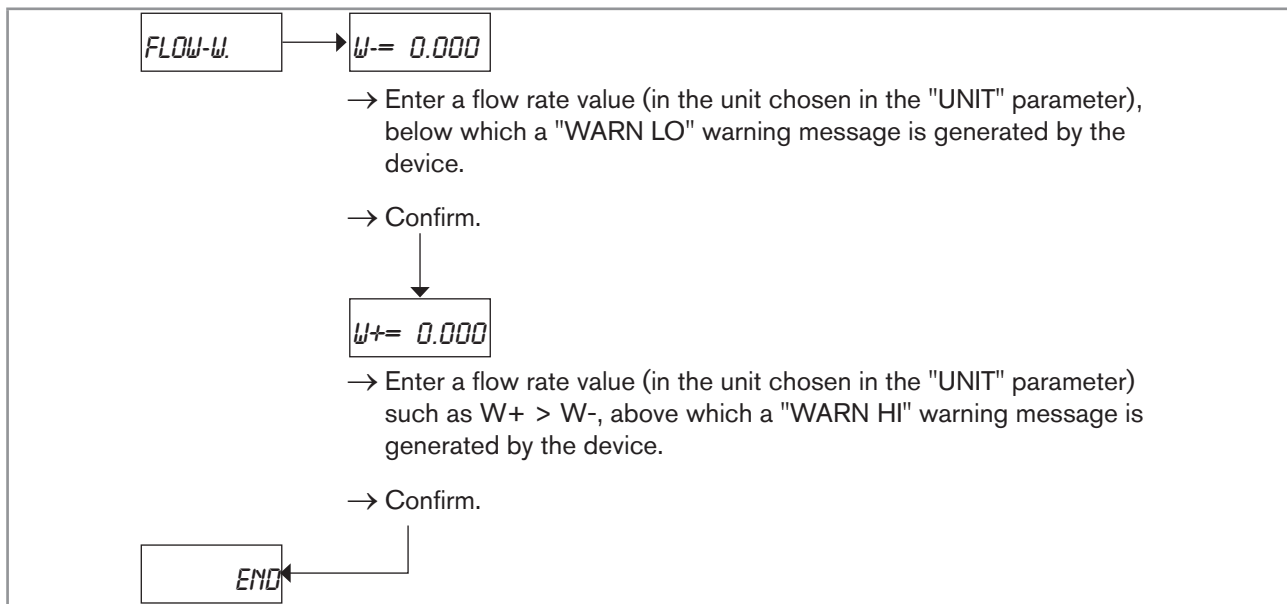


Fig. 61: Diagram of the "FLOW-W." parameter of the Test menu

To be warned when the flow rate is too low or too high, parameter the flow rate range (in the units that have been chosen in the "UNIT" parameter of the Parameters menu), outside which the device generates a warning message, "WARN LO" or "WARN HI", and turns the device status LED to orange.

When a warning message, "WARN LO" or "WARN HI", is generated by the device:

- check the process.
- if the process is not faulty, check the flow sensor condition and clean it if necessary.
- if the flow rate measurement is still faulty, contact the Bürkert retailer.



- The transistor output or either relay output can be configured to switch when a warning message is generated by the device. See chap. [8.6.5](#).

- See also "If you encounter problems" in chap. ["9.5"](#)

- If you do not want to adjust another parameter, confirm the "END" parameter to save the settings or not and go back to the Process level.

8.8. Details of the Information menu



- This menu is available when the device status LED is orange or red.
- For the meaning of a message, go to chap. "9.5.4" and "9.5.5".

To access the Information menu, press the  key for at least 2 s, in the Process level.

In this menu read the fault and warning messages generated by the device.

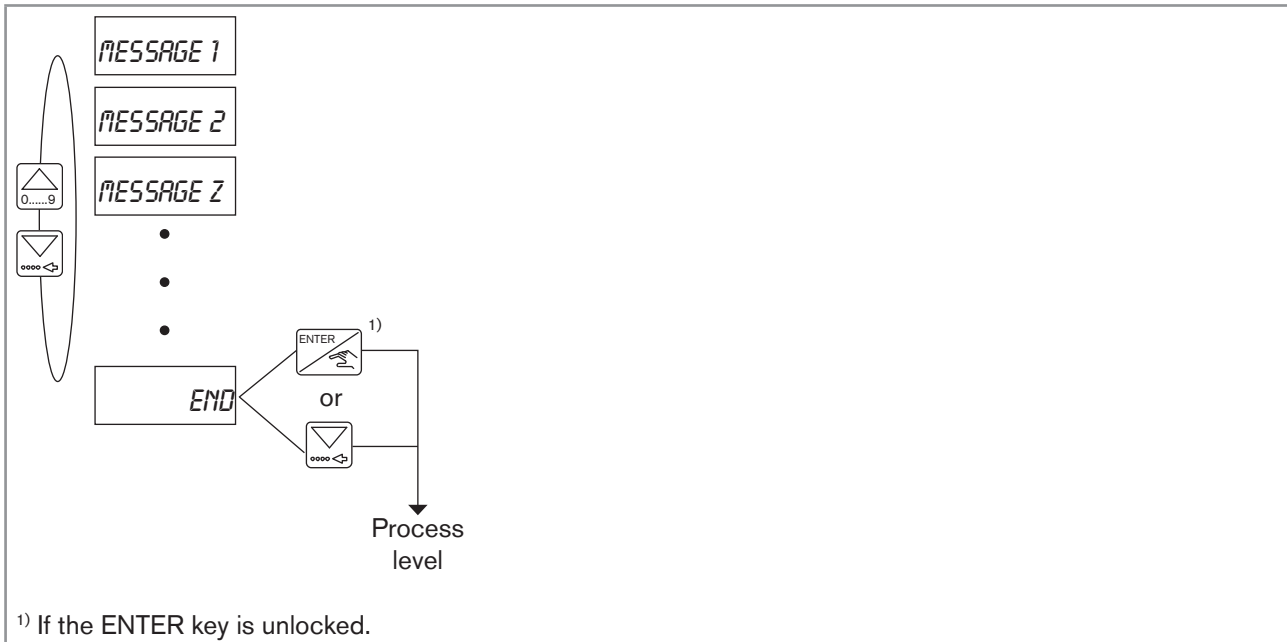


Fig. 62: Diagram of the Information menu

9. MAINTENANCE AND TROUBLESHOOTING

9.1. Safety instructions



DANGER

Risk of injury due to high pressure in the installation.

- Stop the circulation of fluid, cut off the pressure and drain the pipe before loosening the process connections.

Risk of injury due to electrical voltage.

- Shut down the electrical power source of all the conductors and isolate it before carrying out work on the system.
- Observe all applicable accident protection and safety regulations for electrical equipment.

Risk of injury due to high fluid temperatures.

- Use safety gloves to handle the device.
- Stop the circulation of fluid and drain the pipe before loosening the process connections.

Risk of injury due to the nature of the fluid.

- Respect the prevailing regulations on accident prevention and safety relating to the use of aggressive fluids.



WARNING

Risk of injury due to non-conforming maintenance.

- Maintenance must only be carried out by qualified and skilled staff with the appropriate tools.
- Ensure that the restart of the installation is controlled after any interventions.

9.2. Cleaning the device

The 8045 flowmeter can be cleaned with a cloth dampened with water or a detergent compatible with the materials the device is made of.

Please feel free to contact your Bürkert supplier for any additional information..

9.3. Cleaning the flow sensor

NOTE

- use a cleaning product that is compatible with the materials the flow sensor is made of.
- Do not use any abrasive acting materials.

NOTE

After cleaning of the flow sensor:

- Rinse the flow sensor.
- Check the seals and replace them if necessary.
- Before commissioning calibrate the flow zero point.

To prevent any measurement error due to deposits on the electrodes, clean the wetted parts regularly (cleaning frequency depends on the process).

9.4. Replacing the seal on a 8045 with G2" nut

NOTE

Do not scratch the seal groove.

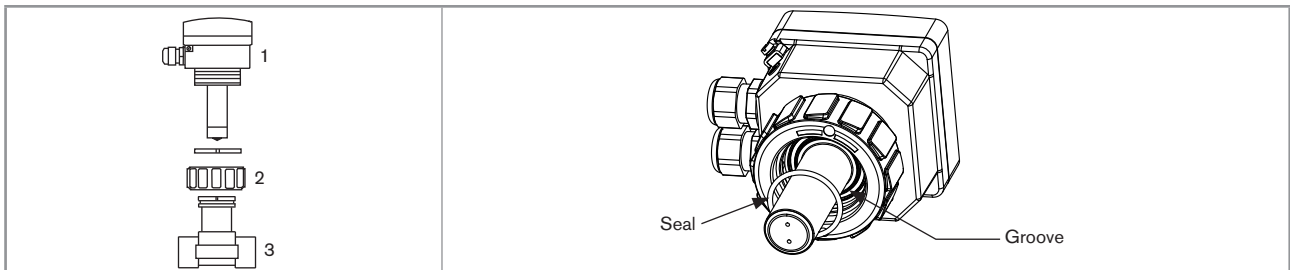


Fig. 63: Dismounting of the flowmeter and location of the seal

- Loosen the nut of the flowmeter (mark 2).
- Remove the flowmeter (mark 1) from the fitting.
- Remove the seal from the groove.
- Clean the seal groove.
- Insert the new O-ring seal in the groove (see chap. 10).
- Insert the flowmeter into the fitting.
- Tighten the nut (mark 2) by hand on the flowmeter.

9.5. If you encounter problems

9.5.1. Resolution of problems when the device status LED is OFF

Device status LED	Current output AO1	Output DO1 and/or DO2 and/or DO3	Message displayed	Possible cause	Recommended action
OFF	0 mA	low level	"PWRFAIL"	The supply voltage is too low. The device does not function.	→ Check that the supply voltage is between 18 and 36 V DC. → If the problem occurs again, take contact with Bürkert.
OFF	0 mA	not switched	-	The device is not energized.	→ Check the wiring. → Check the fuse of the installation and replace it if necessary. → Check that the installation is not shut-down. → Check that the power source is working properly.

9.5.2. Resolution of problems without message generation but device status LED ON

Device status LED	Current output AO1	Output DO1 and/or DO2 and/or DO3	Problem	Recommended action
any colour	4-20 mA	depending on the thresholds or switched ¹⁾	Access to the Parameters and Test menus is impossible.	→ Check the position of the "ENTER key lock/unlock" switch. See chap. "7.3.3" .
any colour	0 mA	depending on the thresholds or switched ¹⁾	The current output transmits 0 mA.	→ Check the wiring of the current output. → Check the fuse of the installation and replace it if necessary. → Check the position of the sink/source switch. See chap. "7.3.4" . → If the problem occurs again, take contact with Bürkert.
			The current output transmits a value between 0 and 4 mA.	→ Switch the device power supply off then on. → If the problem occurs again, take contact with Bürkert.

Device status LED	Current output AO1	Output DO1 and/or DO2 and/or DO3	Problem	Recommended action
any colour	4 mA	depending on the thresholds or switched ¹⁾	The current output transmits 4 mA whatever the displayed flow rate value.	→ Check the configuration of the current output. See chap. "8.6.6".
any colour	20 mA	depending on the thresholds or switched ¹⁾	The current output transmits 20 mA whatever the displayed flow rate value.	→ Check the configuration of the current output. See chap. "8.6.6".
any colour	22-30 mA	depending on the thresholds or switched ¹⁾	The current output transmits a value between 22 and 30 mA.	→ Switch the device power supply off then on. → If the problem occurs again, take contact with Bürkert.
any colour	30 mA	depending on the thresholds or switched ¹⁾	The current output transmits a value > 30 mA.	→ Check the wiring of the current output. → If the problem occurs again, take contact with Bürkert.
any colour	4-20 mA	depending on the thresholds or switched ¹⁾	The current value transmitted on the AO1 current output does not correspond to the displayed flow rate.	→ Check the configuration of the current output. See chap. "8.6.6". → Check the OFFSET and SPAN parameters of the current output. See chap. "8.7.1".
any colour	4-20 mA	The DO2 and DO3 outputs do not switch whatever the displayed flow rate value.		→ Check the parameters of the DO2 and DO3 relay outputs. See chap. "8.6.11". → Check the flow rate unit. → Check the behaviour of the outputs. See chap. "8.7.3".

¹⁾ If the output is configured to switch when a warning message is generated. See chap. 8.6.5.

9.5.3. Resolution of problems without message generation and device status LED green

Device status LED	Current output AO1	Output DO1 and/or DO2 and/or DO3	Possible cause	Recommended action
green	4-20 mA	depending on the thresholds or switched ¹⁾	The device does not properly measure the flow rate.	<ul style="list-style-type: none"> → Check that the K factor corresponds to the fitting used. → Check that the Kw coefficient has not been disturbed. → Carry out a teach-in procedure to determine the K factor of the fitting used.
green	4-20 mA	depending on the thresholds or switched ¹⁾	The displayed flow rate is not nil but the flow rate in the pipe is.	<ul style="list-style-type: none"> → Check that the flow rate in the pipe is nil. → Check that there are no bubbles in the pipe. → Check the filter chosen. → Calibrate the flow zero point.
green	4-20 mA	depending on the thresholds or switched ¹⁾	The displayed flow rate is always nil.	<ul style="list-style-type: none"> → Check that the flow rate in the pipe is not nil. → Check that the K factor or the Kw coefficient are not too low. → Check that the electrodes are perpendicular to the flow direction. → Choose a smaller flow rate unit or increase the number of displayed decimals..
green	4-20 mA	depending on the thresholds or switched ¹⁾	The displayed flow rate is not stable.	<ul style="list-style-type: none"> → Check that there is fluid in the pipe. → Choose a higher filter.
green	4-20 mA	depending on the thresholds or switched ¹⁾	The displayed flow rate changes very slowly.	<ul style="list-style-type: none"> → Check that there is fluid in the pipe. → Choose a lower filter.

¹⁾ If the output is configured to switch when a warning message is generated. See chap. [8.6.5](#).

9.5.4. Resolution of problems without message generation and device status LED red

Device status LED	Current output AO1	Output DO1 and/or DO2 and/or DO3	Message displayed	Possible cause	Recommended action
red	22 mA	depending on thresholds	"ERROR3"	The user parameters and the factory calibration are lost. The device measures wrong values.	→ Start the device again. → If the problem occurs again, take contact with Bürkert. → If the "LIN.LOST" message is also generated, take contact with Bürkert.
red	22 mA	depending on thresholds	"ERROR4"	The totalizer values are lost. The values saved upon the next to last power down are retrieved.	→ Start the device again. → If the problem occurs again, take contact with Bürkert.
red	22 mA	depending on thresholds	"ERROR5"	Both "ERROR3" and "ERROR4".	→ Take contact with Bürkert.
red	22 mA	depending on thresholds	"ERROR6"	Totalizers definitely lost. Both totalizers are reset.	→ Start the device again. → If the problem occurs again, take contact with Bürkert.
red	22 mA	depending on thresholds	"ERROR7"	Both "ERROR3" and "ERROR6".	→ Take contact with Bürkert.
red	22 mA	depending on thresholds	"MEAS. OVF"	The flow rate in the pipe is > 12 m/s.	→ Check the flow rate in the pipe. → If necessary, adjust the flow rate. → If the problem occurs again, take contact with Bürkert.
red	22 mA	depending on thresholds	"BAD MEAS."	The measuring signal is disturbed. The device does not measure the flow rate correctly.	→ Check if there is liquid in the pipe. → Check the liquid does not contain any air bubble. → Check the equipotentiality of the installation. → If the problem occurs again, take contact with Bürkert.

9.5.5. Resolution of problems without message generation and device status LED orange

Device status LED	Current output AO1	Output DO1 and/or DO2 and/or DO3	Message displayed	Possible cause	Recommended action
orange	4-20 mA	Switched ¹⁾	"PULS. OVF"	The value parametered for the pulse output is wrong (generated frequency is > 250 Hz).	→ Increase the value of the PU parameter (see chap. "8.6.7").
orange	4-20 mA	Switched ¹⁾	"NEG. FLOW"	The measured flow rate is negative (although the display shows a positive flow rate).	→ Check that the reverse fluid circulation has no consequences on the process. → Else, mount the device on the pipe such as the arrow on the housing indicates the flow direction.
orange	4-20 mA	Switched ¹⁾	"WARN. LOW"	The measured flow rate is below the authorized low limit. This message appears when the flow rate is monitored (see chap. 8.7.5).	→ Check the flow rate in the pipe and its consequences on the process. → If necessary, clean the flow sensor then calibrate the flow zero point.
orange	4-20 mA	Switched ¹⁾	"WARN. HIG"	The measured flow rate is above the authorized high limit. This message appears when the flow rate is monitored (see chap. 8.7.5).	→ Check the flow rate in the pipe and its consequences on the process. → If necessary, clean the flow sensor then calibrate the flow zero point.
orange	4-20 mA	Switched ¹⁾	"DISP. OVF"	The real flow rate cannot be displayed (display is saturated). Except the display, the device operates depending on the real flow rate.	→ Adjust the unit or the number of decimals in the UNIT parameter of the Parameters menu so that the display can show higher values.
orange	4-20 mA	Switched ¹⁾	"LIN. LOST"	The factory calibration is lost. The device measures wrong values.	→ Take contact with Bürkert.
orange	4-20 mA	Switched ¹⁾	"CAL. FAIL"	The flow zero point calibration failed.	→ Follow the calibration conditions described in chap. 8.7.2 .

¹⁾ If the output is configured to switch when a warning message is generated. See chap. [8.6.5](#).

10. SPARE PARTS AND ACCESSORIES



ATTENTION

Risk of injury and/or damage caused by the use of unsuitable parts.

Incorrect accessories and unsuitable replacement parts may cause injuries and damage the device and the surrounding area.

- Use only original accessories and original replacement parts from Bürkert.

Spare part	Order code
Cover in PC, with lid, incl. window, screws and stucked foil	553189
Cover in PPA, with lid, incl. window, screws and stucked foil	553190
Set including: <ul style="list-style-type: none"> ▪ 2 M20x1.5 cable glands ▪ 2 CR flat seals for cable glands or screw plugs ▪ 2 M20x1.5 screw plugs ▪ 2 multiway seals 2x6 mm 	449755
Set including: <ul style="list-style-type: none"> ▪ 2 M20x1,5 / NPT 1/2" reductions (mounted o-ring) ▪ 2 CR flat seals for the screw plugs ▪ 2 M20x1.5 screw plugs 	551782
Set including: <ul style="list-style-type: none"> ▪ 1 stopper gasket for an M20x1.5 cable gland ▪ 1 multiway seal, 2x6 mm, for cable gland ▪ 1 green FKM seal ▪ 1 mounting instruction sheet 	558102
Snap ring	619205
PC nut for PC housing	619204
PPA nut for PPA housing	440229
Set including: <ul style="list-style-type: none"> ▪ 1 green FKM seal ▪ 1 black EPDM seal 	552111
EPDM seal (for a 8045 with a clamp connection)	730837
FEP seal (for a 8045 with a clamp connection)	730839
Clamp collar	731164
Set of: <ul style="list-style-type: none"> - 1 stopper gasket for an M20 x 1,5 cable gland - 1 multi-way seal, 2 x 6 mm, for a cable gland 	565384

11. PACKAGING, TRANSPORT

NOTE

Damage due to transport

Transport may damage an insufficiently protected device.

- Transport the device in shock-resistant packaging and away from humidity and dirt.
- Do not expose the device to temperatures that may exceed the admissible storage temperature range.
- Protect the electrical interfaces using protective plugs.

12. STORAGE

NOTE

Poor storage can damage the device.

- Store the device in a dry place away from dust.
- Storage temperature of the device: -20 to +60 °C.

13. DISPOSAL OF THE PRODUCT

→ Dispose of the device and its packaging in an environmentally-friendly way.

NOTE

Damage to the environment caused by products contaminated by fluids.

- Keep to the existing provisions on the subject of waste disposal and environmental protection.



note

Comply with the national and/or local regulations which concern the area of waste disposal.

