

# Control- and safety isolating- resp. isolating transformer STEU 250/23



## Advantages

Dual input voltage 230 and 400 Vac

Very good switch-on behaviour thanks to reduced starting currents

High performance for the volume thanks to compact design

Primary side  $\pm 15$  V tapplings for voltage adjustment

Very good corrosion protection and low noise thanks to BLOCKIMPEX vacuum impregnation

Quick to cable up thanks to the use of spring-loaded terminals

Contact protected screw connection terminals complying with UVV BGV A3

Simple mounting thanks to robust metal footplate with oval slots

Up to 250 VA with combination footplate for bolted and rail mounting

## Applications

As a control transformer for the electrical isolation of the input and output sides. The construction of the transformer to supply control systems according to VDE 0113 is designed.

As an isolating transformer for the safe electrical isolation of the input and output sides. The transformer may be used to set up protective separation as a protective measure in accordance with VDE 0100.

As a safety transformer for the safe electrical isolation of the input and output sides. The transformer is suitable for creating SELV and PELV circuits because of the limit on the output voltage.

## Standards



Control transformer  
to: VDE 0570 Teil 2-2, DIN EN 61558-2-2, EN 61558-2-2, IEC 61558-2-2,  
UL 5085-1/-2, CSA 22.2 No.66  
Isolating transformer  
to: VDE 0570 Part 2-4, DIN EN 61558-2-4, EN 61558-2-4, IEC 61558-2-4,  
UL 5085-1/-2, CSA 22.2 No.66

## Approvals



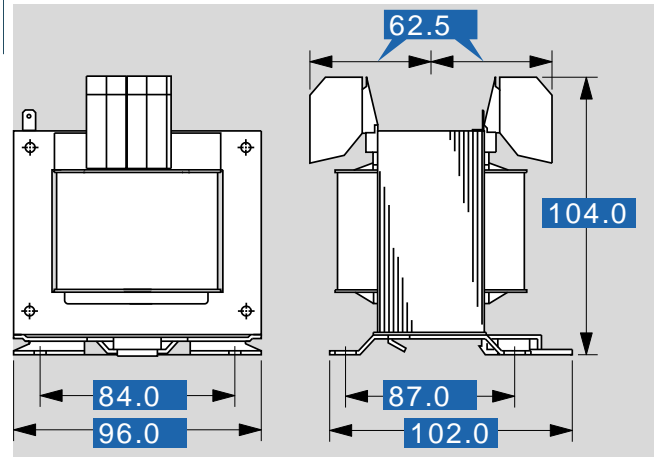
UL 5085-1/-2, CSA 22.2 No.66



# Control- and safety isolating- resp. isolating transformer STEU 250/23

| Type   |                                    | STEU 250/23 |
|--|------------------------------------|-------------|
| <b>Electrical data</b>   | Input                              |             |
|  | Rated input Voltage                | 230/400 Vac |
|  | Tappings Input                     | ±15 V       |
|  | Rated frequency                    | 50 - 60 Hz  |
|  | Output                             |             |
|  | Rated output voltage               | 2 x 115 Vac |
|  | Rated power VDE (DB cos phi=1)     | 250 VA      |
|  | Rated power VDE (KB cos phi=0.5)   | 850 VA      |
|  | No-load voltage (app. x factor)    | 1.07        |
|  | Efficiency                         | 88 %        |
| Standards  |                                    |             |
| Classification   | Control- and isolating transformer |             |
| Approvals  |                                    |             |
| Approvals  | cURus                              |             |
| Environment  |                                    |             |
| Ambient temperature max.   | 40 °C                              |             |
| Cooling method   | self cooling                       |             |
| Safety and protection  |                                    |             |
| Type   | open type                          |             |
| Class of Insulation System   | VDE=B, UL=class 130                |             |
| Protection index   | IP 00                              |             |
| Safety class (prepared)  | I                                  |             |
| Short circuit strength   | non-short-circuit proof            |             |
| PRI Fusing recommendation by circuit breaker with tripping characteristic type 20 x I <sub>rated</sub> related to set) |                                    |             |
| Setting range 230 ±15 Vac  | 1.00 - 1.60 A                      |             |
| Setting value 230 ±15 Vac  | 1.20 A                             |             |
| Setting range 400 ±15 Vac  | 0.63 - 1.00 A                      |             |
| Setting value 400 ±15 Vac  | 0.70 A                             |             |
| Order numbers  |                                    |             |
| <b>Order Number</b>  | <b>STEU 250/23</b>                 |             |

| Type                   |                       | STEU 250/23   |
|------------------------|-----------------------|---|
| <b>Mechanical data</b> | Terminal and mounting |   |
|                        | Terminals             | Spring terminal, PE 6.3 x 0.8                                   |
|                        | Fixing method         | Dual purpose base plate also for installation on mounting rails |
|                        | Fixing screws         | M5  |
| Measures and weights   |                       |   |
| Weight                 | 3.60 kg               |   |



Subjects to change.