

# Control- and safety isolating- resp. isolating transformer **STEU 320/24**



## Advantages

Dual input voltage 230 and 400 Vac

Very good switch-on behaviour thanks to reduced starting currents

High performance for the volume thanks to compact design

Primary side  $\pm 15$  V tapplings for voltage adjustment

Very good corrosion protection and low noise thanks to BLOCKIMPEX vacuum impregnation

Quick to cable up thanks to the use of spring-loaded terminals

Contact protected screw connection terminals complying with UVV BGV A3

Simple mounting thanks to robust metal footplate with oval slots

Up to 250 VA with combination footplate for bolted and rail mounting

## Applications

As a control transformer for the electrical isolation of the input and output sides. The construction of the transformer to supply control systems according to VDE 0113 is designed.

As an isolating transformer for the safe electrical isolation of the input and output sides. The transformer may be used to set up protective separation as a protective measure in accordance with VDE 0100.

As a safety transformer for the safe electrical isolation of the input and output sides. The transformer is suitable for creating SELV and PELV circuits because of the limit on the output voltage.

## Standards



Control transformer  
to: VDE 0570 Teil 2-2, DIN EN 61558-2-2, EN 61558-2-2, IEC 61558-2-2,  
UL 5085-1/-2, CSA 22.2 No.66  
Safety isolating transformer  
to: VDE 0570 Teil 2-6, DIN EN 61558-2-6, EN 61558-2-6, IEC 61558-2-6, UL  
5085-1/-2, CSA 22.2 No.66

## Approvals



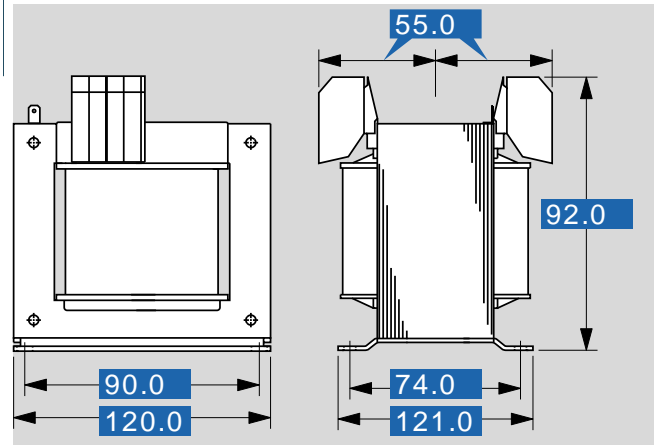
UL 5085-1/-2, CSA 22.2 No.66



# Control- and safety isolating- resp. isolating transformer **STEU 320/24**

Type		STEU 320/24
<b>Electrical data</b>	<b>Input</b>	
	Rated input Voltage	230/400 Vac
	Tappings Input	±15 V
	Rated frequency	50 - 60 Hz
	<b>Output</b>	
	Rated output voltage	2 x 12 Vac
	Rated power VDE (DB cos phi=1)	320 VA
	Rated power VDE (KB cos phi=0.5)	1120 VA
	No-load voltage (app. x factor)	1.07
	Efficiency	90 %
	<b>Standards</b>	
	Classification	Control- and safety isolating transformer
	<b>Approvals</b>	
	Approvals	cURus
	<b>Environment</b>	
	Ambient temperature max.	40 °C
	Cooling method	self cooling
	<b>Safety and protection</b>	
	Type	open type
	Class of Insulation System	VDE=B, UL=class 130
	Protection index	IP 00
	Safety class (prepared)	I
	Short circuit strength	non-short-circuit proof
	PRI Fusing recommendation by circuit breaker with tripping characteristic type 20 x I <sub>rated</sub> related to set)	
	Setting range 230 ±15 Vac	1.00 - 1.60 A
Setting value 230 ±15 Vac	1.50 A	
Setting range 400 ±15 Vac	0.63 - 1.00 A	
Setting value 400 ±15 Vac	0.88 A	
<b>Order numbers</b>		
<b>Order Number</b>	<b>STEU 320/24</b>	

Type		STEU 320/24
<b>Mechanical data</b>	<b>Terminal and mounting</b>	
	Terminals	Spring terminal, PE 6.3 x 0.8
	Fixing method	Base plate
	Fixing screws	M5
<b>Measures and weights</b>		
Weight		4.30 kg



Subjects to change.