

# Data Sheet: Auto Transformers Type SAT

---

Description ..... : Auto transformer

Manufactured to..... : VDE 0550

Test voltage ..... : Input/Output - Ground      2500 V, 50 Hz

Short-circuit protection..... : Fuse protection on output

Construction ..... : Encapsulated in plastic housing

Protection class ..... : protection class I

Protection index ..... : IP 20

Max ambient temperature.... : + 40 °C

Insulation class of the  
insulation system..... : A

Input voltage..... : 230 V

Frequency ..... : 50 - 60 Hz

Output voltage..... : 115 V

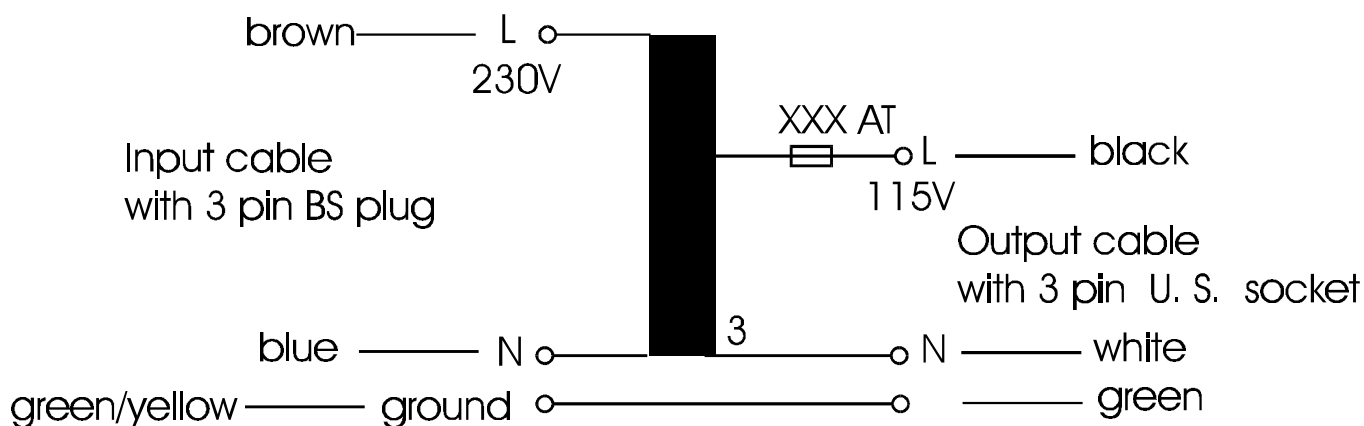
Input Connector..... : Approx. 2m flexible 3 core cable with three pin plug to BS 1363

Output Connector..... : Approx. 1m flexible 3 core cable with three pin 15A/125V American socket

Mounting ..... : Provided with 4 fixing holes in the terminal connection compartment

Packing..... : separately packed in cartons

Schematic plan :



**Description:**

The SAT type transformers are auto wound, step down transformers for portable applications. Fully encapsulated in a fully insulated flame retardant plastic enclosure. The input is provided with approximately two metres of flexible three core cable and three pin plug to BS 1363. The output is with approximately one metre of flexible three core cable fitted with a three pin U.S.A style 15A/125V socket as standard. The output is protected by a 5 x 20mm fuse link of which the replacement must not exceed the stated rating. There are four mounting holes located in the wiring compartment, for permanent installation where required.

**Note: These transformers provide no isolation from the mains.**

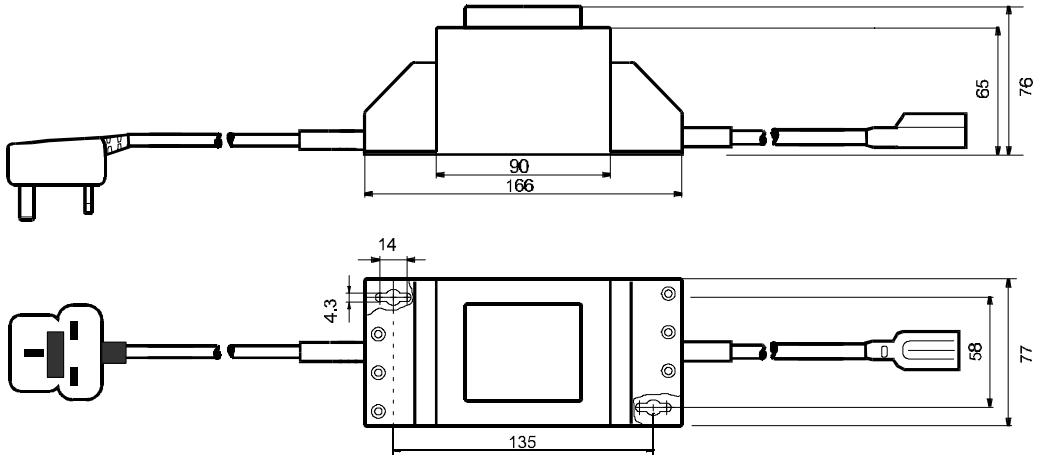
**Output power 100VA** Type SAT 100  
 Height 76 mm Weight 1900 g  
 Ground area 166 mm x 77 mm

-----  
 Input Voltage (V).....230  
 Output Voltage (V).....115  
 Output Current (A).....0,869  
 Output fuse rating (Time - Lag)....0,8  
 No load (active) power typ. 3W  
 Efficiency typ. 92 %

**Output power 200VA** Type SAT 200  
 Height 76 mm Weight 2361 g  
 Ground area 166 mm x 77 mm

-----  
 Input Voltage (V).....230  
 Output Load Voltage (V).....115  
 Output Current (A).....1,6  
 Output fuse rating (Time-Lag).....1,6  
 No load (active) power typ. 5,3 W  
 Efficiency typ. 95 %

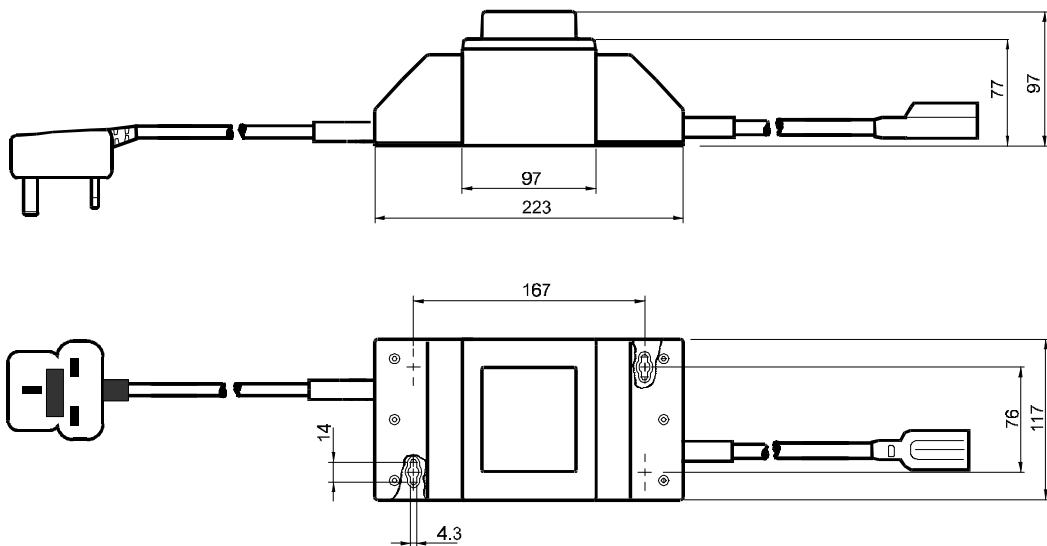
**SAT 100 / SAT 200**



**Output power 300VA** Type SAT 300  
 Height 97 mm Weight 3900 g  
 Ground area 223 mm x 117 mm

-----  
 Input Voltage (V).....230  
 Output Voltage (V).....115  
 Output Current (A).....2,6  
 Output fuse rating (Time - Lag)....2,5  
 No load (active) power typ. 6,5 W  
 Efficiency typ. 97 %

**SAT 300**



**Output power 500 VA** Type SAT 500  
Height 97 mm Weight 5150 g  
Ground area 223 mm x 117 mm

-----  
Input Voltage (V).....230  
Output Voltage (V).....115  
Output Current (A).....4,34  
Output fuse rating (Time - Lag)....4,0  
No load (active) power typ. 9W  
Efficiency typ. 97 %

**Output power 600 VA** Type SAT 600  
Height 97 mm Weight 5150 g  
Ground area 223 mm x 117 mm

-----  
Input Voltage (V).....230  
Output Voltage (V).....115  
Output Current (A).....5,21  
Output fuse rating (Time-Lag).....5,0  
No load (active) power typ. 6W  
Efficiency typ. 97 %

### SAT 500 / SAT 600

