

IWRR 18I97T4/S14

Inductive distance measuring sensors - outdoor and washdown

Article number: 11016445

overview

- 0 ... 7 mm
- current output
- connector M12
- -40 ... 70 °C
- IP 68/69K & proTect+



Technical data

general data

mounting type	quasi-flush
special type	Outdoor design Washdown design
measuring distance Sd	0 ... 7 mm
resolution	< 0,005 mm (stat.) < 0,01 mm (dynam.)
repeat accuracy	< 0,015 mm
linearity error	± 350 µm
temperature drift	± 10 % (Full Scale)
approvals/certificates	Ecolab

electrical data

response time (factory characteristic)	< 2 ms
voltage supply range +Vs	15 ... 30 VDC
current consumption max. (no load)	40 mA
output circuit	current output
output signal	4 ... 20 mA
load resistance +Vs min.	< 330 Ohm

electrical data

load resistance +Vs max.	< 1000 Ohm
short circuit protection	yes
reverse polarity protection	yes

mechanical data

type	cylindrical threaded
material (sensing face)	LCP
housing material	stainless steel 1.4404 (V4A)
dimension	18 mm
housing length	60 mm
connection types	connector M12
tightening torque max.	55 Nm (Front: 38 Nm)

ambient conditions

operating temperature	-40 ... +70 °C
cleaning temperature	70 ... +85 °C (30 min/day)
protection class	IP 68/69K & proTect+
vibration resistance	EN 61373: 2010 (category 3), 5h per axis (14.4 gRMS, 10-500 Hz, EN 60068-2-64)
shock resistance	EN 61373: 2010 (category 3), 10 bumps per axis (100 g, 6 ms, EN 60068-2-27)

remarks

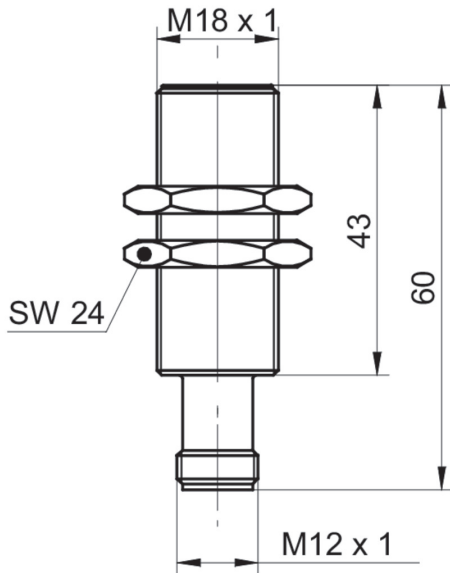
- Sensor FDA compliant and Ecolab approved

IWRR 18I97T4/S14

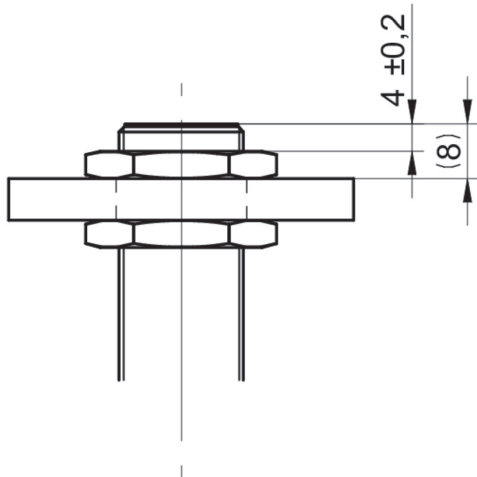
Inductive distance measuring sensors - outdoor and washdown

Article number: 11016445

dimension drawing



installation drawing



connection diagram

