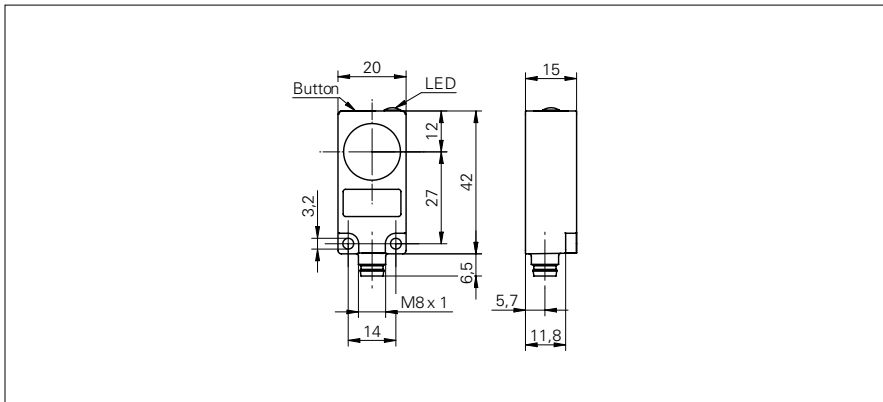


Inductive distance measuring sensors

IWFK 20Z8704/S35A

dimension drawing



general data

| | |
|-----------------------|---|
| mounting type | quasi-flush |
| special type | linearized |
| measuring distance Sd | 0 ... 10 mm |
| resolution | < 0,01 mm (stat.) < 0,01 mm (dynam.) |
| repeat accuracy | < 0,015 mm |
| adjustment | Teach-in |
| linearity error | ± 50 µm |
| temperature drift | ± 5 % (Full Scale) |

electrical data

| | |
|---|----------------------|
| response time (factory characteristic) | < 2,5 ms |
| response time (teach in characteristic) | < 3,1 ms |
| voltage supply range +Vs | 15 ... 30 VDC |
| current consumption max. (no load) | 30 mA |
| output circuit | voltage output / PNP |
| output signal | 0 ... 10 VDC |
| load resistance | > 1000 Ohm |
| output current | < 10 mA (PNP) |
| voltage drop Vd | < 5 VDC (PNP) |
| short circuit protection | yes |
| reverse polarity protection | yes |

mechanical data

| | |
|------------------|--------------|
| type | rectangular |
| housing material | polyester |
| dimension | 20 mm |
| housing length | 42 mm |
| connection types | connector M8 |

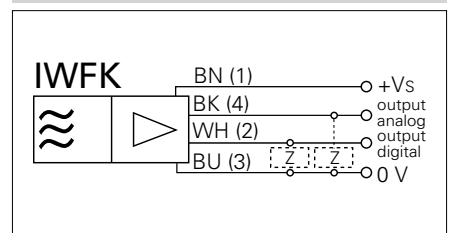
ambient conditions

| | |
|-----------------------|----------------|
| operating temperature | -10 ... +70 °C |
| protection class | IP 67 |

photo



connection diagram



- Internal Teach-In
- integrated analog- and switching output
- linear analog output
- The sensor is suited for a controlled electromagnetic environment according to EN 61326-1, table 3.