

IFRM 12P1703/S14L

Inductive proximity switch - standard

Article number: 10228612

overview

- 4 mm
- PNP make function (NO)
- connector M12
- -25 ... 75 °C
- IP 67



Technical data

general data

mounting type	flush
nominal sensing distance S _n	4 mm
hysteresis	3 ... 20 % of S _r
output indicator	3 port LED red

electrical data

switching frequency	< 2 kHz
voltage supply range +V _s	10 ... 30 VDC
current consumption max. (no load)	10 mA
output circuit	PNP make function (NO)
voltage drop V _d	< 2 VDC
output current	< 200 mA

electrical data

short circuit protection	yes
reverse polarity protection	yes

mechanical data

type	cylindrical threaded
material (sensing face)	PBT
housing material	brass nickel plated
dimension	12 mm
housing length	40,4 mm
connection types	connector M12
tightening torque max.	15 Nm (Front: 10 Nm)

ambient conditions

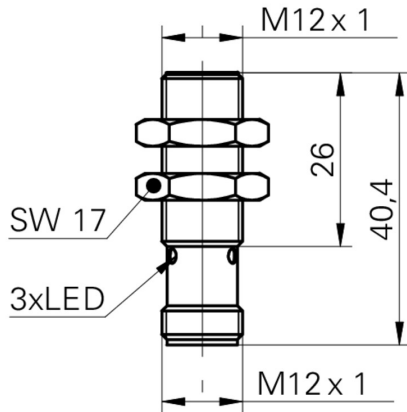
operating temperature	-25 ... +75 °C
protection class	IP 67

IFRM 12P1703/S14L

Inductive proximity switch - standard

Article number: 10228612

dimension drawing



connection diagram

