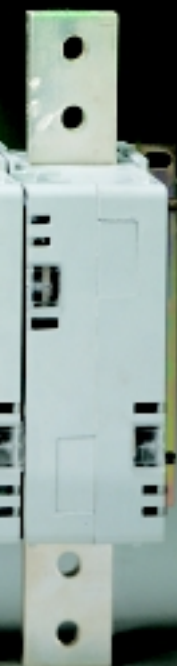




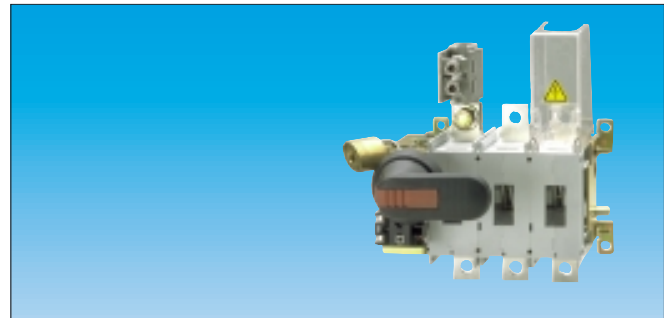
**Switch-Disconnectors /
Load Break Switches
OETL 200...3150**
Contents:

Selection table for OETL 200...3150	6/2 - 6/3
Ordering information OETL 200...3150	6/4
Load-Break Switches	
• Rotary type switches, 200...3150 A, 3 and 4 -pole	6/4
• Rotary type switches, 2500...3150 A, 3 and 4 -pole	6/4
• Side operated switches, 200...800 A, 3 and 4 -pole	6/4
Accessories	
• Optional handles, front operated	6/5
• Optional handles, side operated	6/5
• Optional handles with I-O-II -indication	6/5
• Extended shafts	6/5
• Auxiliary contacts sets	6/6
• Terminal shrouds	6/6
• Neutral links	6/6
• Busbar connections	6/7
• Locking accessories	6/7
• Conversion kits for the combination switches	6/8
Dimension drawings	6/9
Contact functions	6/16



SwitchLine

Selection table
OETL 200_ ...315_



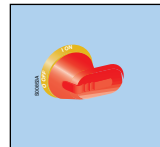
Size

200 250 315

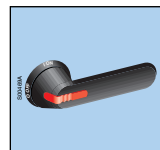
SwitchLine types

OETL 200_ OETL 250_ OETL 315_

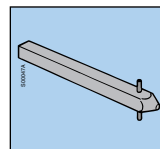
Handles



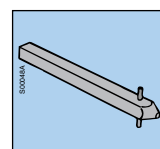
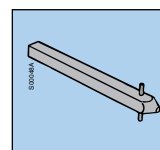
Black OHB_65 J8
Red-yellow OHY_80 J8



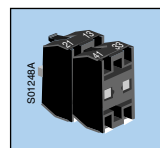
Shafts



OXPK_
Shaft lengths from 140 mm up to 500 mm

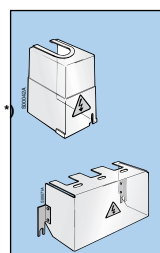


Auxiliary contacts



OZXK_ 1 NO + NC, 2 NO + 2 NC,
4 NO + 4 NC, 2 NO, 4 NO, 8 NO

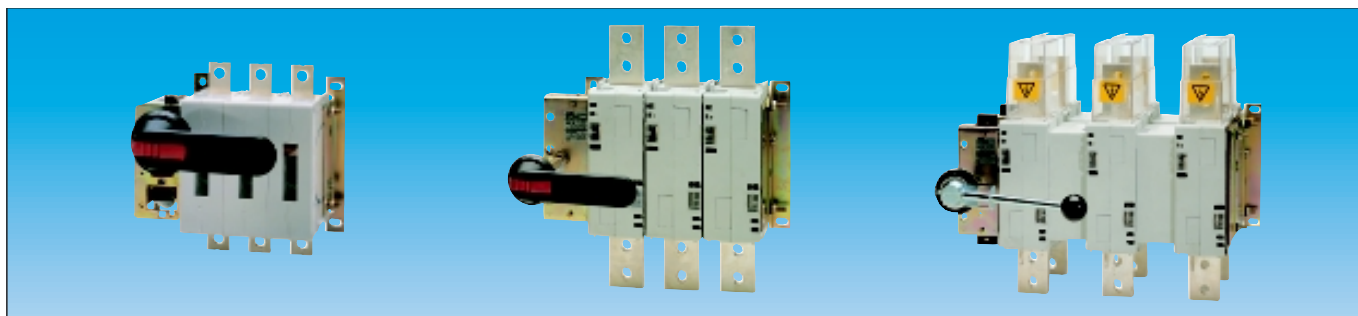
Terminal schrouds



OETLZX 128

SwitchLine

Selection table
OETL 200_ ...3150_



400	630	800	1000	1250	1600	2500	3150
-----	-----	-----	------	------	------	------	------

OETL 400_	OETL 630_	OETL 800_	OETL 1000_	OETL 1250_	OETL 1600_	OETL 2500_	OETL 3150_
-----------	-----------	-----------	------------	------------	------------	------------	------------

Black Red-yellow	OH_125 J12 - OHB 125 J12 OH_145 J12 - OHY 145 J12						
---------------------	--	--	--	--	--	--	--

Black Red-yellow	OHB 275 J12 OHY 275 J12						
---------------------	----------------------------	--	--	--	--	--	--

OXP12X166 Shaft length 166 mm							
----------------------------------	--	--	--	--	--	--	--

OXP12X_ Shaft lengths from 185 mm up to 280 mm							
---	--	--	--	--	--	--	--

OXP12X_ Shaft lengths from 325 mm up to 535 mm							
---	--	--	--	--	--	--	--

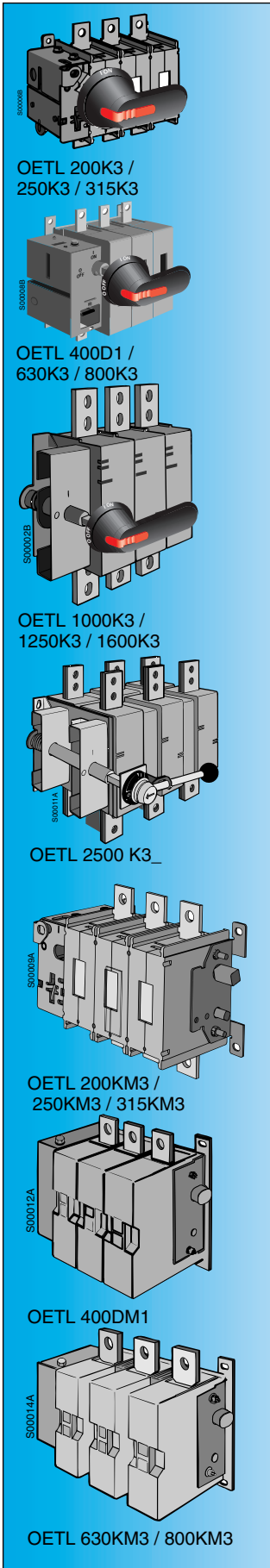
OZXK_	1 NO + NC, 2 NO + 2 NC, 4 NO + 4 NC, 8 NO + 8 NC, 2 NO, 4 NO, 8 NO, 16 NO						
-------	--	--	--	--	--	--	--

OETLZX 31	OETLZX 93 ^{*)}	OETLZX 111 ^{*)}	OESAZX 102				
--------------	----------------------------	-----------------------------	---------------	--	--	--	--

SwitchLine

Ordering Information

OETL 200...3150



Rotary type switches, 200 ... 3150 A, 3 and 4 -pole

Rated insulation voltage 1000 V, including a handle, a shaft and terminal bolt kit^{*)}, see next page.

Number of poles	I_{th} (open) [A]	Rated oper. currents AC21/AC23 [A/A] _{≤415V}	Type	Order number	Pack-age size 1	Weight [kg]
OETL 200...315						
Black IP65 handle OHB80J8 with I-O, ON-OFF -indication and shaft OXP8x140, length 140 mm.						
3		200/	OETL 200K3	1SCA022125R1920		3.0
4	250	200	OETL 200K4	1SCA022144R5610		3.7
3		250/	OETL 250K3	1SCA022126R6280		3.0
4	315	250	OETL 250K4	1SCA022144R5880		3.7
3		315/	OETL 315K3	1SCA022144R7740		3.0
4	350	315	OETL 315K4	1SCA022144R7910		3.7

OETL 400...800

Phase barriers OETLZN 17 included. Black IP65 handle OHB125J12 with I-O, ON-OFF -indication and shaft OXP12x166, length 166 mm.

3		500/	OETL 400D1	1SCA022058R0020		5.2
4	500	500	OETL 400D4	1SCA022058R0110		6.4
3		630/	OETL 630K3	1SCA022078R8950		6.2
4	630	630	OETL 630K4	1SCA022078R9170		7.6
3		800/	OETL 800K3	1SCA022098R0980		6.2
4	800	720	OETL 800K4	1SCA022098R1100		7.6

OETL 1000...1600

Black IP65 handle OHB145J12 with I-O, ON-OFF -indication and shaft OXP12x250, length 250 mm.

3		1000/	OETL 1000K3	1SCA022117R8660		16.3
4	800	800	OETL 1000K4	1SCA022117R8820		20.5
3		1250/	OETL 1250K3	1SCA022097R3510		16.3
4	800	800	OETL 1250K4	1SCA022097R3770		20.5
3		1600/	OETL 1600K3	1SCA022097R3930		17.5
4	800	800	OETL 1600K4	1SCA022097R4150		22.5

Rotary type switches, 2500 ... 3150 A

Rated insulation voltage 1000 V. Including a handle, a shaft and terminal bolt kit^{*)}.

Number of poles	I_{th} (open) [A]	Rated oper. currents AC21/AC22 [A/A] _{≤415V}	Type	Order number	Pack-age[kg] size 1	Weight
OETL 2500...3150						
Black IP54 metallic handle YASDA 7 with 1-0 -indication and shaft OXP12x325, length 325 mm included.						
3		2500/	OETL 2500K3 ³⁾	1SCA022108R7780		37
4		1600	OETL 2500K4 ³⁾	1SCA022115R6180		47
3		3150/	OETL 3150K3 ³⁾	1SCA022115R6340		37
4		1600	OETL 3150K4 ³⁾	1SCA022115R6510		47

Side operated switches, 200 ... 800 A, 3 and 4- pole

Rated insulation voltage 1000 V. Including terminal bolt kit^{*)}. 400...800 A include phase barriers OETLZN 17. The handle and shaft have to be ordered separately, see accessories.

3	250	200/	OETL 200KM3-2	1SCA022144R9100		3.0
4		200	OETL 200KM4-2	1SCA022144R9360		3.7
3	315	250/	OETL 250KM3-2	1SCA022160R0790		3.0
4		250	OETL 250KM4-2	1SCA022160R0950		3.7
3	350	315/	OETL 315KM3-2	1SCA022144R8120		3.0
4		315	OETL 315KM4-2	1SCA022144R8390		3.7
3	500	500/	OETL 400DM1-2	1SCA022066R5950		5.2
4		500	OETL 400DM4-2	1SCA022071R7420		6.3
3	630	630/	OETL 630KM3-2	1SCA022082R5150		6.2
4		630	OETL 630KM4-2	1SCA022082R5310		7.6
3	800	800/	OETL 800KM3-2	1SCA022102R7290		7.3
4		720	OETL 800KM4-2	1SCA022102R7450		9.2

³⁾ The busbar connections for different busbar arrangements have to be ordered separately.

^{*)} OETL 200 ... 3150 include terminal bolt kit:

OETL 200: OZXE 1, M8 x 25 mm, 6 pcs/pack.

OETL 400: OZXE 6, M10 x 40 mm, 6 pcs/pack.

OETL 1000...1600: OZXE 14, M12 x 60 mm, 6 pcs/pack.

OETL 250, 315: OZXE 2, M10 x 30 mm, 6 pcs/pack.

OETL 630, 800: OZXE 3, M12 x 40 mm, 6 pcs/pack.

OETL 2500...3150: OZXE 14, M12 x 60 mm, 12 pcs/pack.

SwitchLine

Ordering Information

OETL 200...3150, Accessories

Optional handles, front operated

Colour	Handle length [mm]	Suitable for switch sizes	Type	Order number	Pack- age	Recomm. order qty [pcs]
--------	--------------------	---------------------------	------	--------------	-----------	-------------------------

Plastic handles, IP 65, Indication in types OHB_ and OHY_: I-O/ON-OFF, in types OHG_: I-O, padlockable with 3 padlocks in OFF- position, door interlock in ON- position defeatable ²⁾, door drilling, see dimension drawings. The shaft has to be ordered separately.

For shaft diameter 8 mm

Black	80	OETL 200...315	OHB 80J8	1SCA022381R0590	1	100
Yel.-red			OHY 80J8	1SCA022381R0750		

For shaft diameter 12 mm

Black	125	OETL 400...800	OHB 125J12	1SCA022381R1560	1	90
Yel.-red			OHY 125J12	1SCA022381R1720		
Yel.-red	145	OETL 400...1600	OHY 145J12	1SCA022381R2370	1	90
Black			OHB 145J12	1SCA022381R2110		

Metallic handles, IP65, padlockable with 3 padlocks in OFF- position, door interlock in ON- position, door drilling is shown in handles' dimension drawings. For shaft diameter 12 mm.

1-0						
Black	220	OETL 400...3150	YASDA 7	1SCA022071R3010	1	

Optional handles, side operated

Plastic handles, IP 65, Indication in types OHB_ and OHY_: I-O/ON-OFF, padlockable with 3 padlocks in OFF- position, door interlock in ON- position defeatable ²⁾, door drilling is shown in handles' dimension drawings. The shaft has to be ordered separately.

For shaft diameter 8 mm

Black	80	OETL 200...315	OHB 80J8E00S	1SCA022381R9710	1	90
Yel.-red		¹⁾	OHY 80J8E00S	1SCA022382R9510		

For shaft diameter 12 mm

Black	145	OETL 400...800	OHB 145J12E002S	1SCA022383R5400	1	90
Yel.-red			OHY 145J12E002S	1SCA022383R5310		

Optional handles with I-O-II -indication

Colour	Handle length [mm]	Shaft diam. [mm]	Suitable for switch sizes	Type	Order number	Package [pcs]
--------	--------------------	------------------	---------------------------	------	--------------	---------------

Plastic handles, IP65, indication I-O-II, padlockable with 3 padlocks in OFF-position, door interlock in ON-position defeatable. Door drilling, see dimension drawings. The shaft has to be ordered separately.

Black	145	12	OETL 200...1600	OHB145J12E011	1SCA022399R8530	1
-------	-----	----	-----------------	---------------	-----------------	---

Extended shafts

Shaft length [mm]	H [mm]	For switch sizes	Type	Order number	Package [pcs]
-------------------	--------	------------------	------	--------------	---------------

Shaft diameter 8 mm

140	120...220		OXp8x140	1SCA022295R5860	
240	220...320	OETL 200...315	OXp8x240	1SCA022137R5730	1
500	480...580		OXp8x500	1SCA022160R9230	

Shaft diameter 12 mm

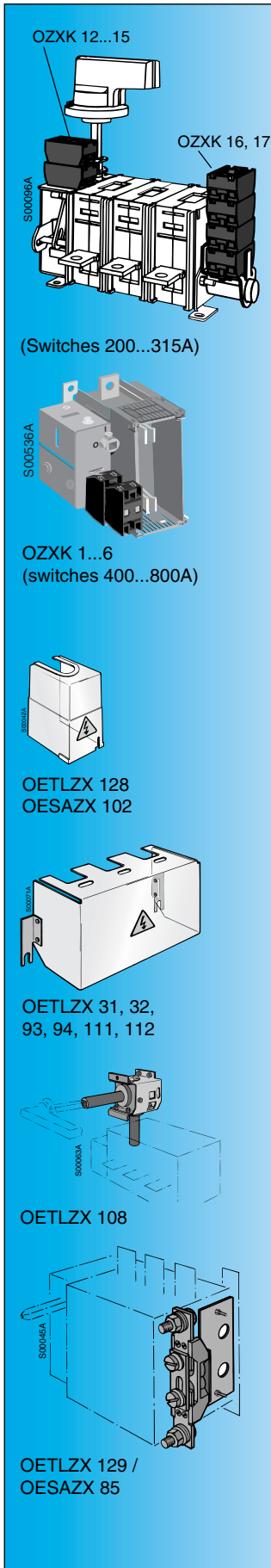
185	165...275	OETL 400...800	OXp12x185	1SCA022325R6710	1
	190...260	OETL 1000...1600			
280	260...370	OETL 400...800	OXp12x280	1SCA022137R5140	1
	285...355	OETL 1000...1600			
465	445...555	OETL 400...800	OXp12x465		
	470...540	OETL 1000...1600		1SCA022042R6020	1
	480...675	OETL 2500, 3150			

¹⁾ If the handle is mounted on the front of the door, a standard handle can be used as well.

SwitchLine

Ordering Information

OETL 200...3150, Accessories



Auxiliary contact sets

Wire cross section 0.5 mm²...2 x 2.5 mm². Insulation voltage U_i 690 V. Thermal current I_{th} = 10 A. Protection degree IP 20.

Performance data ²⁾ U_e / I_e (AC12): 120V/8A, 240V/6A, 400V/4A, 415V/4A, 480V/3A, 500V/3A, 690V/2A, U_e / I_e (DC12): 125V/1.1A, 250V/0.55A, 440V/0.31A, 500V/0.27A, 600V/0.2A.

Auxiliary contacts ¹⁾	For switch sizes	Type	Order number	Package [pcs]
	OETL 200...315	OZ XK 12	1SCA022144R7400	1
	OETL 400...3150	OZ XK 1	1SCA022131R8690	1
	OETL 200...315	OZ XK 13	1SCA022144R7230	1
	OETL 400...3150	OZ XK 2	1SCA022131R8850	1

Terminal shrouds

Number of poles	For switch sizes	Quantity for full protection	Type	Order number	Package [pcs]
3	OETL 200...315	6	OETLZX 128	1SCA022139R7200	1
4		8			
3	OETL 400	2	OETLZX 31	1SCA022061R1350	1
4		2	OETLZX 32	1SCA022061R1510	1
3	OETL 630	2	OETLZX 93	1SCA022083R6430	1
4		2	OETLZX 94	1SCA022083R6600	1
3	OETL 800	2	OETLZX 111	1SCA022106R7080	1
4		2	OETLZX 112	1SCA022106R7240	1
3	OETL 1000...1600	6	OESA ZX 102	1SCA022085R9480	1
4		8			

Neutral links

Suitable for switch sizes	I _{th} [A]	Max. cable cross section /Cu or bolt size [mm ²]	Type	Order number	Package [pcs]
Detachable, mounted to the switch					
OETL200...315	400	240	OETLZX 129	1SCA022144R8210	1
OETL400...800	400	240	OESA ZX 85	1SCA022082R3110	1
OETL630...800	1000	M12	OESA ZX 158	1SCA022186R3530	1
OETL1000...1600	1000	M12	OESA ZX 159	1SCA022186R3700	1

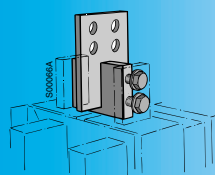
¹⁾ Contact numbering according to EN 50 013
²⁾ According to IEC 947-5-1

• Auxiliary contacts are of early break type which means that in the switches, the NO aux.contacts break before the main contacts open.

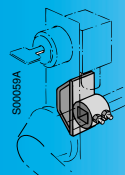
SwitchLine

Ordering Information

OETL 200...3150, Accessories



OETLZX 115
Vertical mounting



OETLZW
5, 16

Busbar connections

Busbar connections for OETL 2500 and OETL 3150

Busbar termination from different directions can be carried out by means of terminal connection kits providing ease and speed of installation.

For switches	Number of connectors	Type	Order number	Package [pcs]
Vertical mounting				
3 pole	6	OETLZX 115	1SCA022117R7770	1
4 pole	8	OETLZX 115/1	1SCA022126R2110	1

Locking accessories

Cam attachment for Castell, Lowe & Fletcher and Ronis interlock

Cam attachment for adopting the switches to the interlock system. The interlock is not included.

For switch sizes	Type	Order number	Package [pcs]
OETL 200...315	OETLZW 16	1SCA022093R2070	1
OETL 400...3150	OETLZW 5	1SCA022052R3900	1

SwitchLine

Ordering Information

OETL 200...3150, Accessories

Conversion kits for the combination switches

The attachment levers are provided with holes, enabling different shaft distances. The combination switches can be mounted either horizontally or vertically.

For switch sizes	Shaft distance [mm]	Incl. shafts & handle ³⁾	Type	Order number	Package [pcs]
------------------	---------------------	-------------------------------------	------	--------------	---------------

6 and 8-pole switches

Parallel attachment of 3 and 4-pole switches for building 6 and 8-pole switches respectively. Both switches work simultaneously.

OETL 200...315	80 + (0...10) x 20	x	OETLZW 18	1SCA022143R4410	1
OETL 400...1600	60 + (0...19) x 20	- ¹⁾	OETLZW 9	1SCA022061R3300	1

Change over switches

Two switches connected with a mechanism.

OETL 200...315	210 + (0...11) x 20	x	OETLZW 20	1SCA022142R1270	1
OETL 400	210 + (0...11) x 20	x	OETLZW 11	1SCA022078R0030	1
OETL 630...1600	210 + (0...20) x 20	x	OETLZW 12	1SCA022078R0200	1

By-pass switches

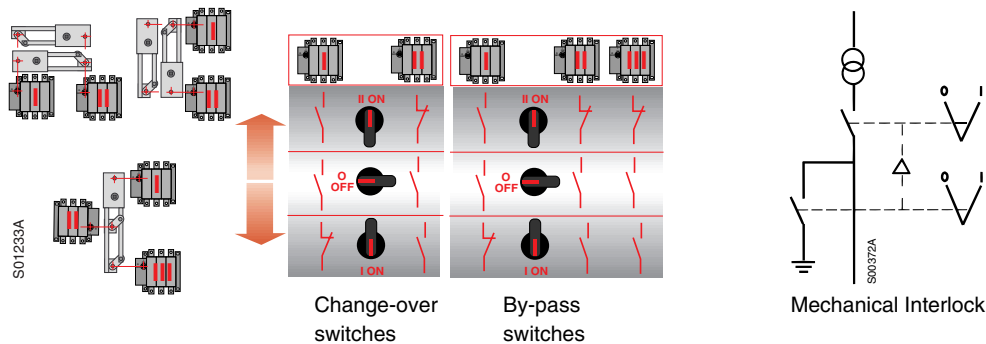
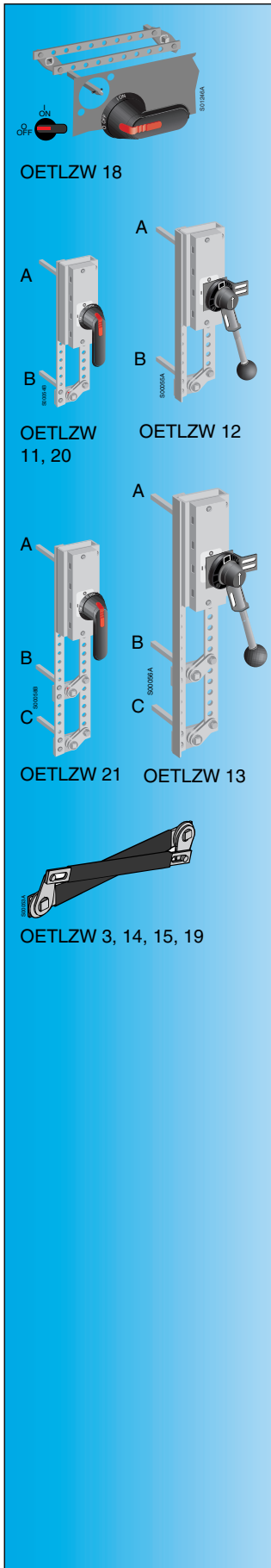
A combination of two switches in parallel with one change-over switch to pass-by, e.g. a breaker for maintenance. The by-pass attachment can be used together with another combination attachment.

OETL 200...315	210 + (0...9) x 20 between A and C: 250 + (0...9) x 20 between A and B:	x	OETLZW 21	SCA022158R1800	1
OETL 400...1600	210 + (0...18) x 20 between A and C: 250 + (0...18) x 20	x	OETLZW 13	1SCA022078R0460	1

Mechanical interlock

Prevents one switch from closing to ON-position if the other is not in OFF-position. When mounted upside down, prevents one switch from opening to OFF-position, if the other is not in ON-position.

OETL 200...315	240	280	- ²⁾	OETLZW 19	1SCA022142R1010	1
OETL 400...1600	300		- ¹⁾	OETLZW 3	1SCA022049R0380	1
OETL 400...1600	250		- ¹⁾	OETLZW 14	1SCA022077R3410	1
OETL 400...3150	500		- ¹⁾	OETLZW 15	1SCA022081R9340	1



^{1,2)} Handles delivered with the switches can also be used with the conversion kits.

¹⁾ Suitable shaft diameter 12 mm. Handles: OH_ or YASDA 7 / -8. (for OETL 1000...1600 YASDA_)

²⁾ Suitable shaft diameter 8 mm. Handles: OH_.

³⁾ Conversion kit:

OETL ZW 18
OETL ZW 11, 20, 21,
OETL ZW 12
OETL ZW 13

Incl. the handle type:

OHB145J12
OHB145J12E011
YASDA 21
YASDA 6

Description:

(plastic: I-O, ON-OFF)
(plastic: I - O - II)
(metallic: I - O - II)
(metallic: I - O - II)

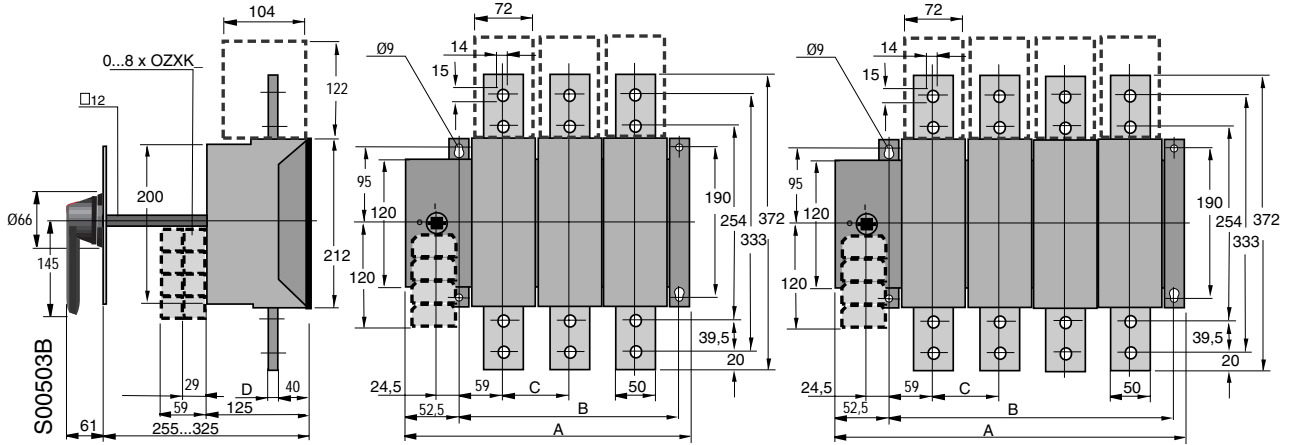
SwitchLine

Dimension Drawings

OETL 1000...3150

OETL 1000K3
 OETL 1250K3
 OETL 1600K3
 OETL 1000/1250/1600K140
 OETL 1000/1250/1600K185
 OETL 1000/1250/1600K200
 OETL-NF800AP
 OETL-NF1200P

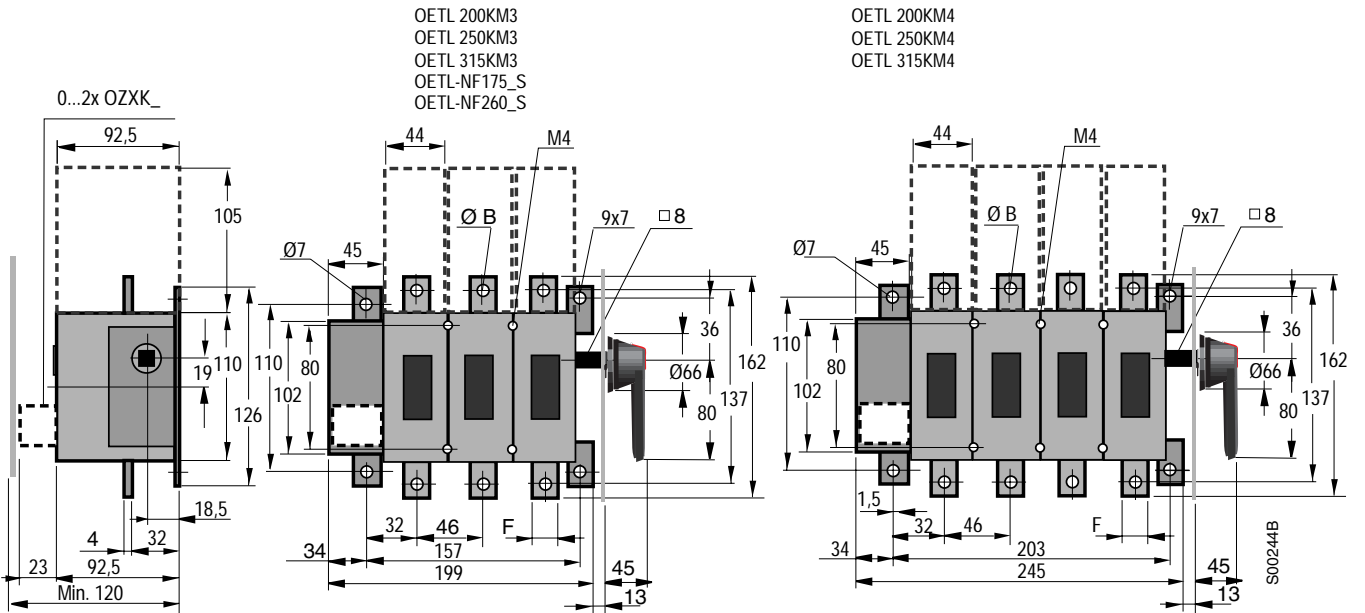
OETL 1000K4
 OETL 1250K4
 OETL 1600K4



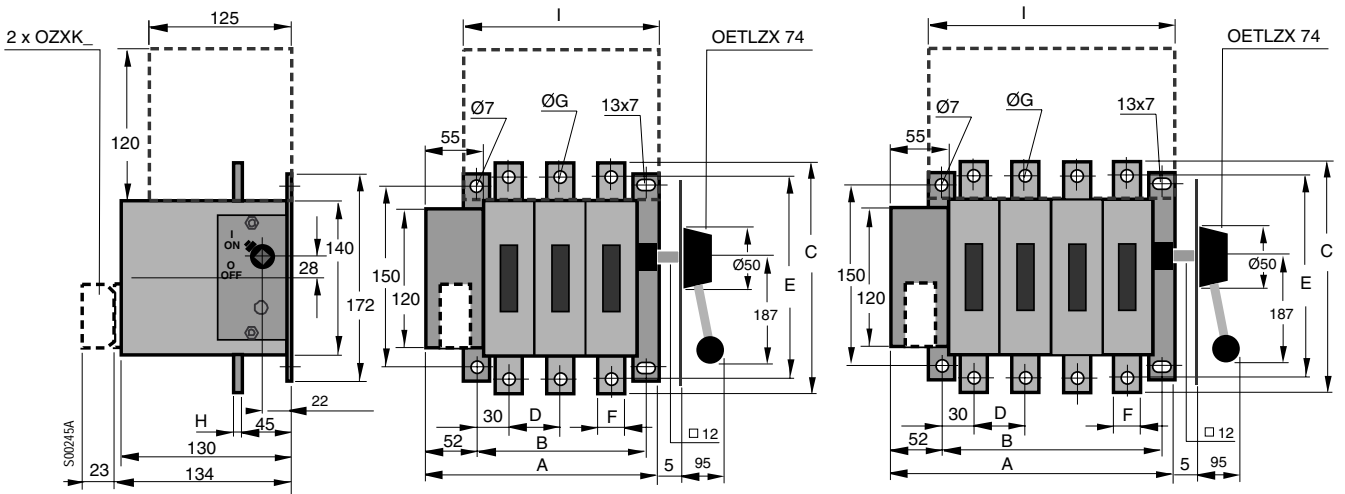
OETL 1000K3...OETL 1600K4...OETL-NF800AP...OETL-NF1200P	A	B	C	D
OETL 1000K3	343	278	80	12
OETL 1000K4	423	358	80	12
OETL 1250K3	343	278	80	12
OETL 1250K4	423	358	80	12
OETL 1600K3	363	298	90	16
OETL 1600K4	453	388	90	16
OETL 1000/1250/1600K140	461	396	139	16
OETL 1000/1250/1600K185	555	490	186	16
OETL 1000/1250/1600K200	583	518	200	16
OETL -NF 800AP	363	298	90	12
OETL -NF 1200P	363	298	90	16

SwitchLine

Dimension Drawings, Side Operated Switches OETL 200 ... 800



Type	ØB	F
OETL 200KM3	9	20
OETL 200KM4	9	20
OETL 250KM3	11	25
OETL 250KM4	11	25
OETL 315KM3	11	25
OETL 315KM4	11	25
OETL -NF 175_S	9	20
OETL -NF 260_S	9	20

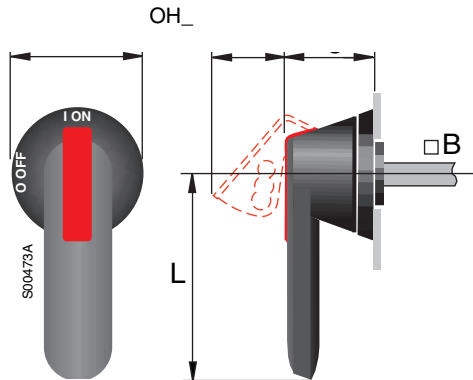


OETL ___ DM_ , -KM_	A	B	C	D	E	F	G	H	I
OETL 400DM1	220	153	205	46	180	25	11	4	175
OETL 400DM4	266	199	205	46	180	25	11	4	175
OETL 630KM3	252	185	223	62	185	40	13,5	5	207
OETL 630KM4	314	247	223	62	185	40	13,5	5	269
OETL 800KM3	268	201	223	70	185	40	13,5	5	223
OETL 800KM4	338	271	223	70	185	40	13,5	5	293

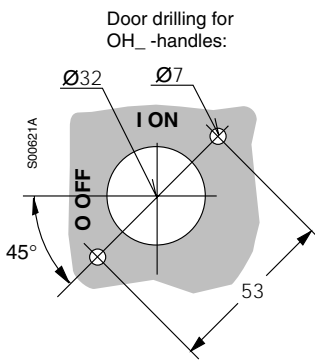
SwitchLine

Dimension Drawings, Accessories Handles

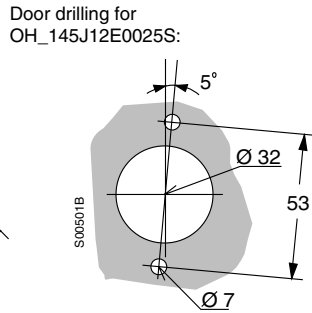
Plastic handles



Handle type	Handle length (mm) L	Shaft (mm) B
OH_45J5 OH_65J5	45 65	5
OH_45J6 OH_65J6 OH_80J6	45 65 80	6
OH_65J8 OH_80J8	65 80	8
OH_125J12 OH_145J12 OH_175J12 OH_275J12	125 145 175 275	12

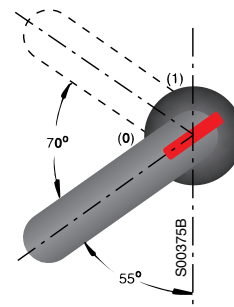


Door drilling for OH_-handles:

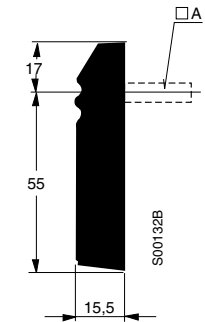


Door drilling for OH_145J12E0025S:

OH_145J12E0025S (for side-operated switches 400...800A)

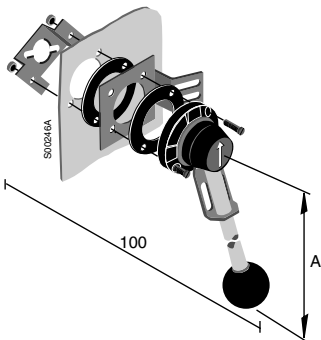


YAST 1; A = 6 mm

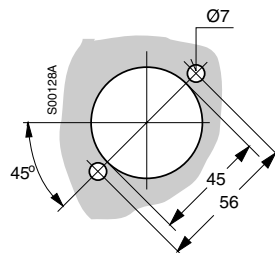


Metallic handles

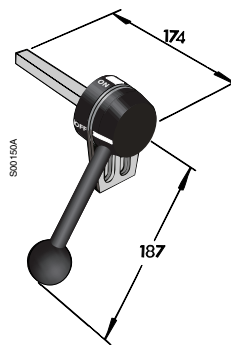
YASDA 6 (A = 320 mm)
YASDA 7, 8, 21 (A = 220 mm)
YASDA 24 (A = 145 mm)



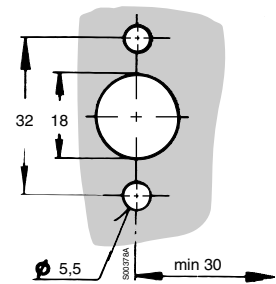
Door drilling for YASDA_:



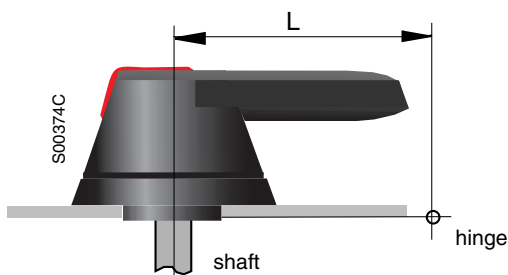
OETLZX 74 (for side-operated switches 400...800 A)



Door drilling for OETLZX 74



Minimum distance L, between the hinge and the rotating shaft



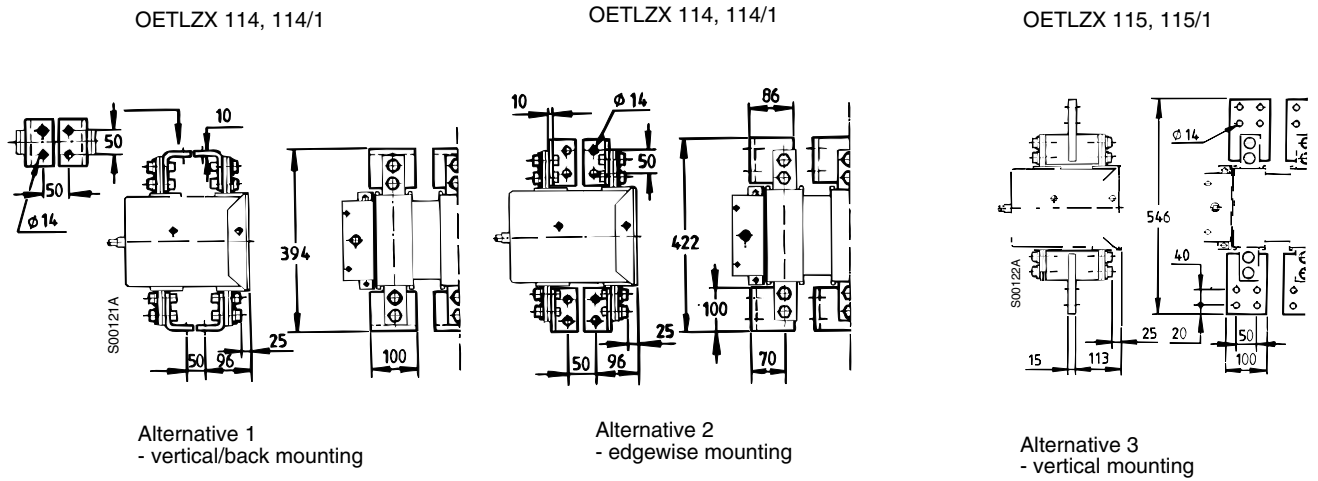
Switch size	Length L [mm]	Handle type
OT 16...125	75	OH_1, OH_2, OH_3
OT125A...160	60	OH_65J_
OETL 200...315	80	OH_80J_
OETL 400...1600	150	OH_145J_
OETL 2500...3150	220	YASDA 7, 8 OH_275J12

SwitchLine

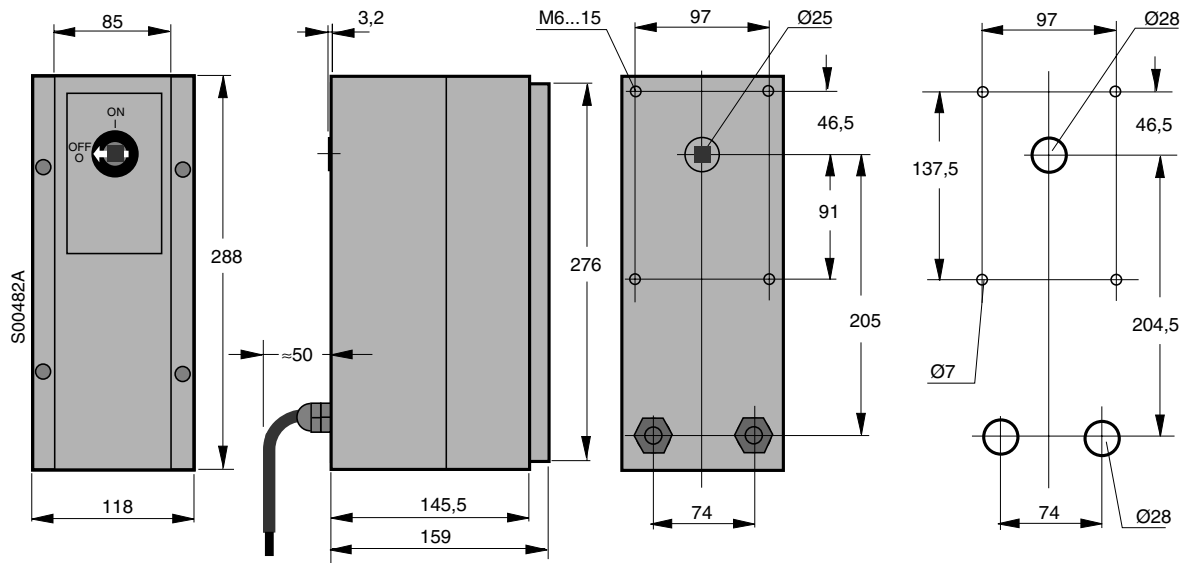
Dimension Drawings, Accessories

Connection Busbars, Motor Operator

Connection busbars for OETL 2500 and OETL 3150



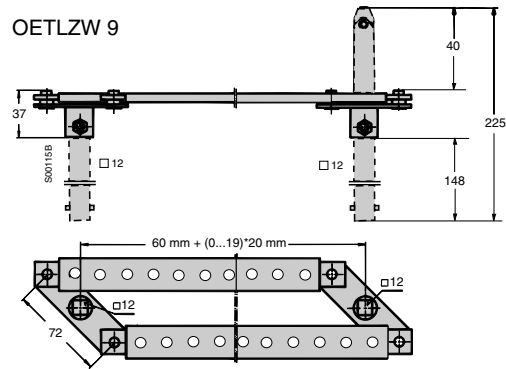
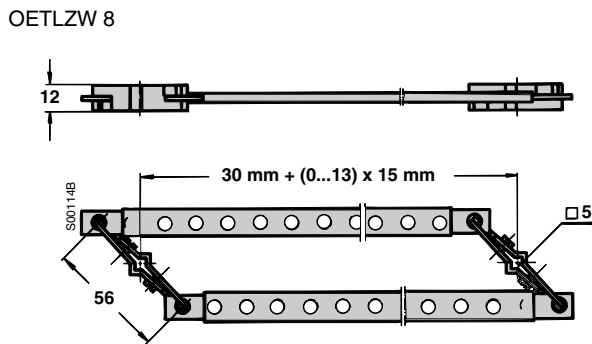
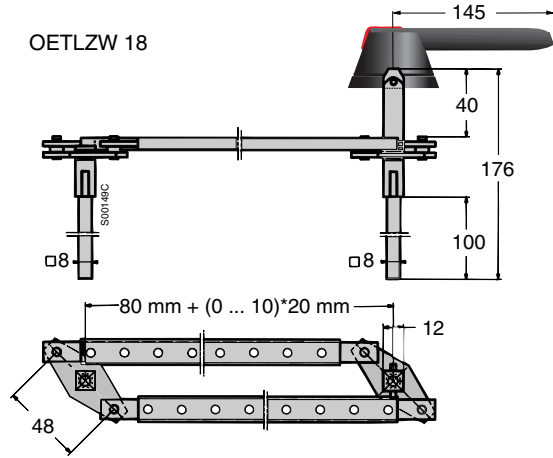
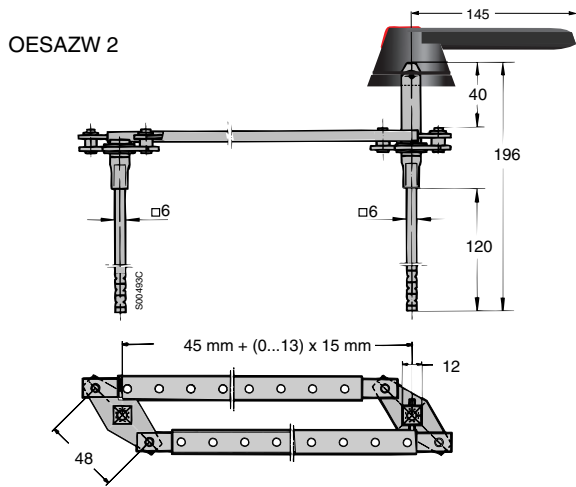
Motor operator OEMO



SwitchLine

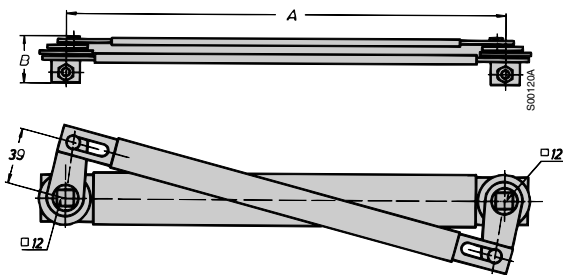
Dimension Drawings, Accessories Conversion Kits for the Combination Switches

6 and 8-pole switches



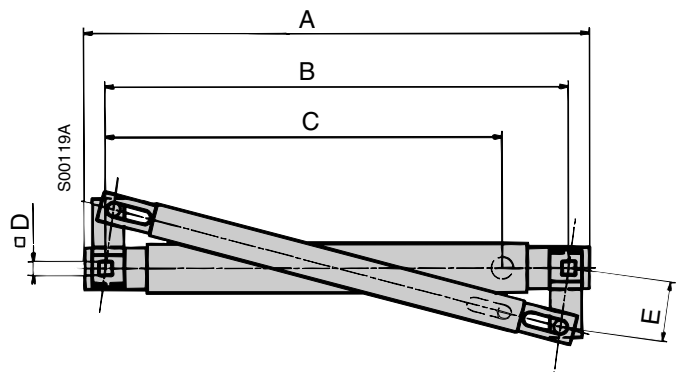
Mechanical interlock

OETLZW 3, 14, 15



	A	B
OETLZW 3	300	31
OETLZW 14	250	31
OETLZW 15	500	36

OTZW 10
OETLZW 19
OETLZW 24



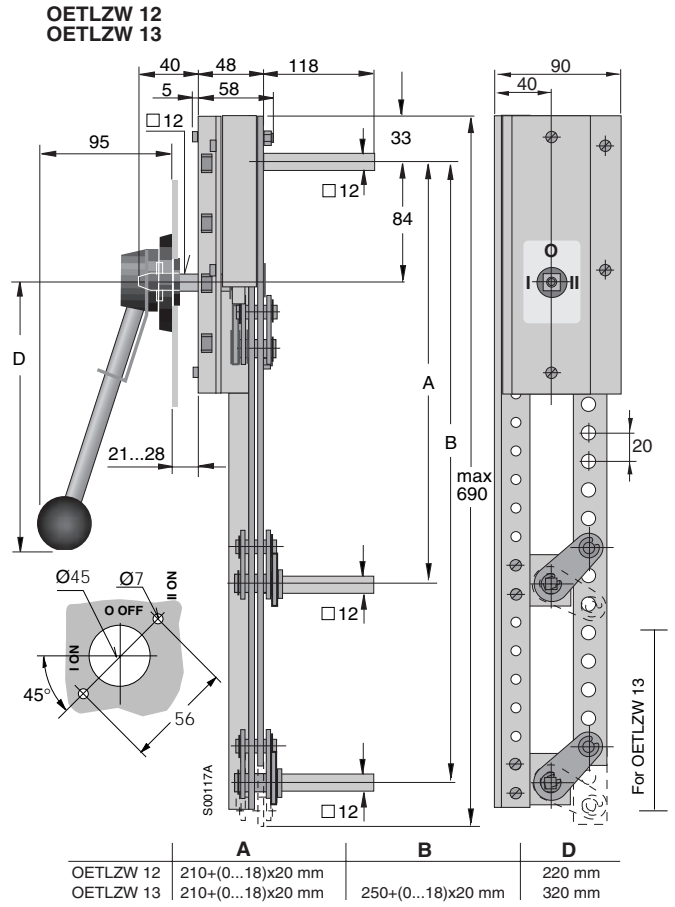
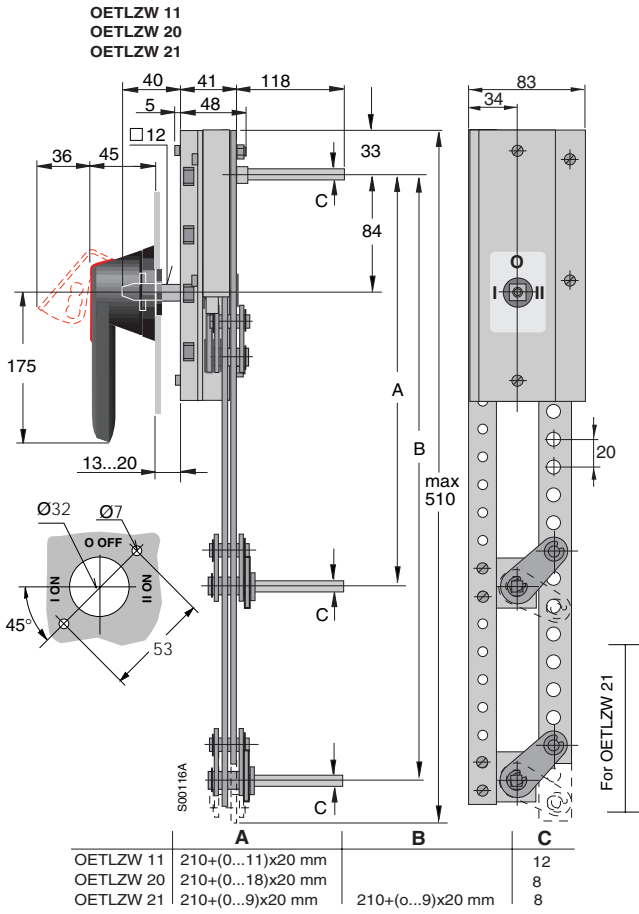
Type	A	B	C	D	E
OTZW10	206	190	-	6	30
OETLZW19	305	280	240	8	36
OETLZW24	114	100	-	5	25

SwitchLine

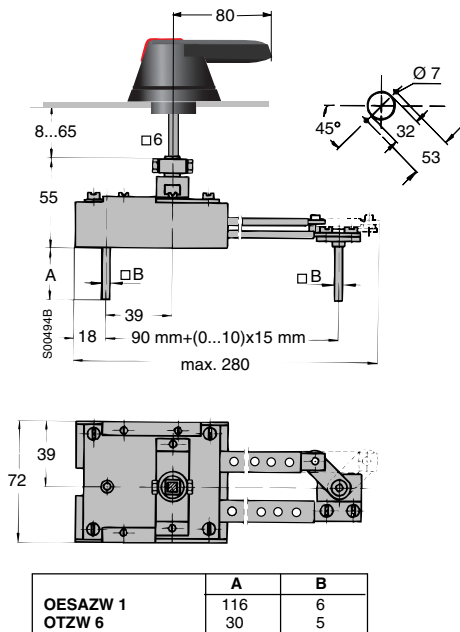
Dimension Drawings, Accessories

Conversion Kits for the Combination Switches

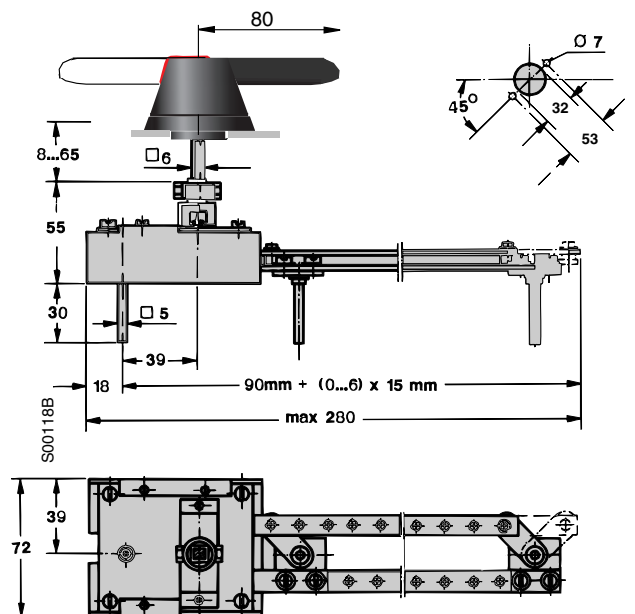
Change-over switches and by-pass switches



OTZW 6, OESAZW 1



OTZW 17



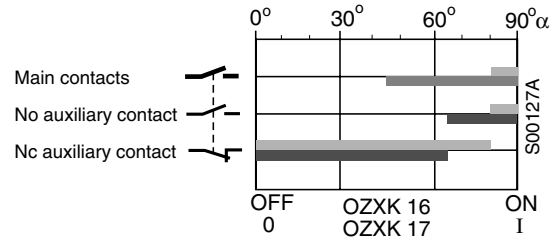
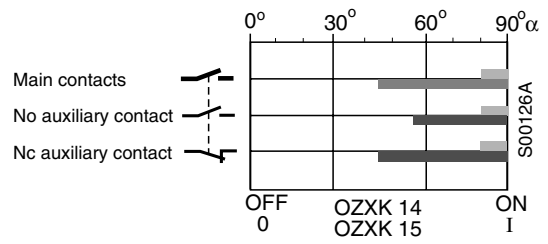
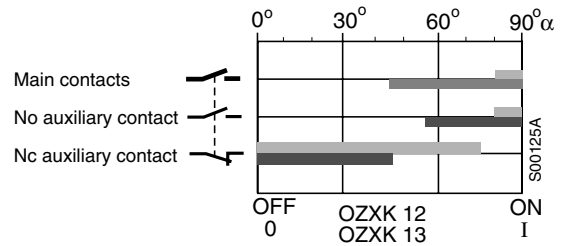
SwitchLine

Contact Functions

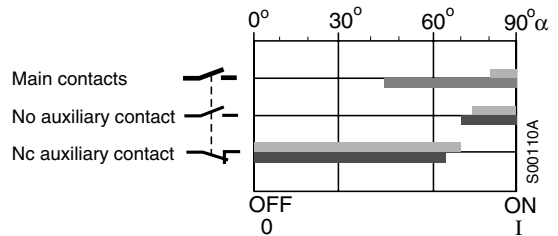
ON and OFF-Functions of Auxiliary and Main Contacts

ON and OFF-Functions of Auxiliary and Main Contacts (cont.)

Load Break Switch	Auxiliary contact	Contact configuration
OETL 200 K_ OETL 250 K_ OETL 315 K_	OZ XK 12 OZ XK 13 OZ XK 14 OZ XK 15 OZ XK 16 OZ XK 17	1no-1nc 2no-2nc 2no 4no-4nc 8no



Load Break Switch	Auxiliary contact	Contact configuration
OETL 400_ OETL 630 K_ OETL 800 K_	OZ XK 1 OZ XK 2 OZ XK 3 OZ XK 4 OZ XK 5 OZ XK 6	1no-1nc 2no-2nc 4no-4nc 2no 4no 8no



Load Break Switch	Auxiliary contact	Contact configuration
OETL 1000 K_ OETL 1250 K_ OETL 1600 K_ OETL 2500 K_ OETL 3150 K_	OZ XK 1 OZ XK 2 OZ XK 3 OZ XK 4 OZ XK 5 OZ XK 6	1no-1nc 2no-2nc 4no-4nc 2no 4no 8no

