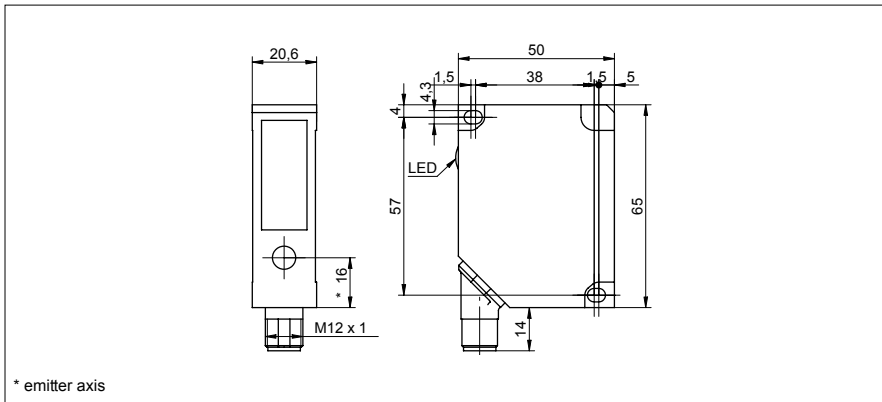


Distance sensors

OADM 20U5460/S14C

dimension drawing



general data

measuring distance Sd	30...130 mm
adjustment	no
power on indication	LED green
soiled lens indicator	LED red
resolution	0,05...0,07 mm
linearity error	± 0,15 ... ± 0,22 mm
light source	pulsed red laser diode
wave length	650 nm
laser class	2
beam type	point
beam diameter	2...1 mm
temperature drift	< 0,03 % Sde/K

electrical data

response time / release time	< 10 ms
voltage supply range +Vs	12 ... 28 VDC
current consumption max.	100 mA
output circuit	analog
output signal	0 ... 10 VDC
load resistance (analog U)	> 100 kOhm
alarm output	PNP
short circuit protection	yes
reverse polarity protection	yes, Vs to GND

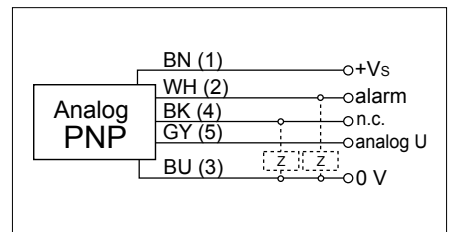
mechanical data

width / diameter	20,6 mm
height / length	65 mm
depth	50 mm
type	rectangular
housing material	die-cast zinc
front (optics)	glass
connection types	connector M12 5 pin, rotatable

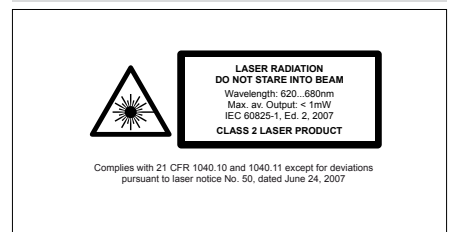
photo



connection diagram



laser warning



- linearity error: ±1.2% of measuring distance

**Distance sensors****OADM 20U5460/S14C****ambient conditions**

operating temperature	0 ... +50 °C
protection class	IP 67