

Integrated signal lamp, continuous light, green, 12-230 V AC/DC,
Diameter 70 mm







General technical data	
Product designation	Continuous light element
Type of voltage	
• of the operating voltage	AC/DC
Operating voltage	
• at DC rated value	12 ... 230 V
• at AC at 50 Hz rated value	12 ... 230 V
• at AC at 60 Hz rated value	12 ... 230 V
Relative positive tolerance of the operating voltage	10 %
Relative negative tolerance of the operating voltage	-10 %
Consumed active power	5 W
Reference code	
• acc. to DIN EN 81346-2	P
Mounting type	Bayonet / flush mounting
Material	PC; PC/ABS; PA
Color	green
Mechanical data	
Product component Light source	No

Type of electrical connection	screw-type terminals
Outer diameter of the signal column element	75 mm

Lamp	
socket type	BA 15d
Design of the optical signal	continous light
Type of light source	filament lamp / LED

Ambient conditions	
Ambient temperature during operation	-20 ... +60 °C
Protection class IP	IP65
Depth	31 mm
Height	66 mm
Width	75 mm

Certificates/ approvals

General Product Approval	EMC	Declaration of Conformity	other
 UL	 EAC	 RCM	 EG-Konf.
			Miscellaneous Confirmation

Further information

Information- and Downloadcenter (Catalogs, Brochures,...)

www.siemens.com/sirius/catalogs

Industry Mall (Online ordering system)

<https://mall.industry.siemens.com/mall/en/en/Catalog/product?mlfb=8WD5300-1AC>

Cax online generator

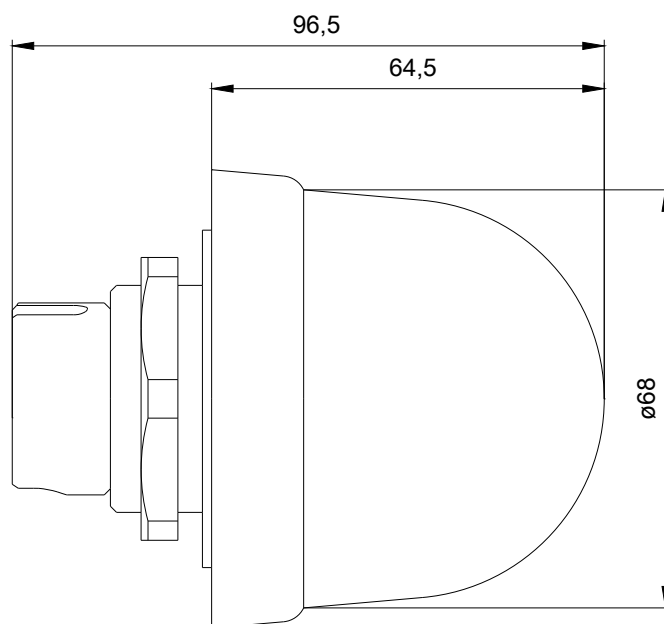
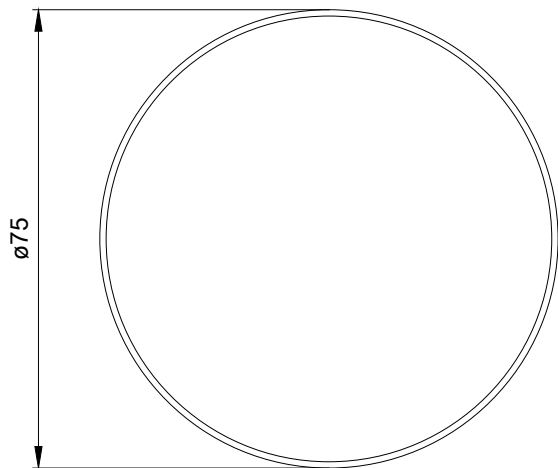
<http://support.automation.siemens.com/WW/CAXorder/default.aspx?lang=en&mlfb=8WD5300-1AC>

Service&Support (Manuals, Certificates, Characteristics, FAQs,...)

<https://support.industry.siemens.com/cs/ww/en/ps/8WD5300-1AC>

Image database (product images, 2D dimension drawings, 3D models, device circuit diagrams, EPLAN macros, ...)

http://www.automation.siemens.com/bilddb/cax_de.aspx?mlfb=8WD5300-1AC&lang=en



SIEMENS

last modified:

09/13/2019