

Integrated signal lamp, repeated flash light, with integrated LED, yellow, 24 V AC/DC, Diameter 70 mm







General technical data	
Product designation	Repeated-flash light element
Consumed current maximum	45 mA
Type of voltage	AC/DC
<ul style="list-style-type: none"> <li>of the operating voltage</li> </ul>	
Operating voltage	
<ul style="list-style-type: none"> <li>1 at DC rated value</li> <li>1 at AC at 50 Hz rated value</li> <li>1 at AC at 60 Hz rated value</li> </ul>	24 V 24 V 24 V
Relative positive tolerance of the operating voltage	10 %
Relative negative tolerance of the operating voltage	-10 %
Reference code	P
<ul style="list-style-type: none"> <li>acc. to DIN EN 81346-2</li> </ul>	
Mounting type	Bayonet / flush mounting
Material	PC; PC/ABS; PA
Color	yellow
Mechanical data	
Product component Light source	Yes

Type of electrical connection	screw-type terminals
Outer diameter of the signal column element	75 mm

Lamp	
Design of the optical signal	blinklight
Type of light source	LED
Light intensity	1.88 cd
Flash frequency	1 Hz
Service life of LED	100 000 h

Ambient conditions	
Ambient temperature during operation	-20 ... +50 °C
Protection class IP	IP65
Depth	31 mm
Height	66 mm
Width	75 mm

#### Certificates/ approvals

General Product Approval	EMC	Declaration of Conformity	other
 UL		 RCM	 EG-Konf.
		<a href="#">Miscellaneous</a>	<a href="#">Confirmation</a>

#### Further information

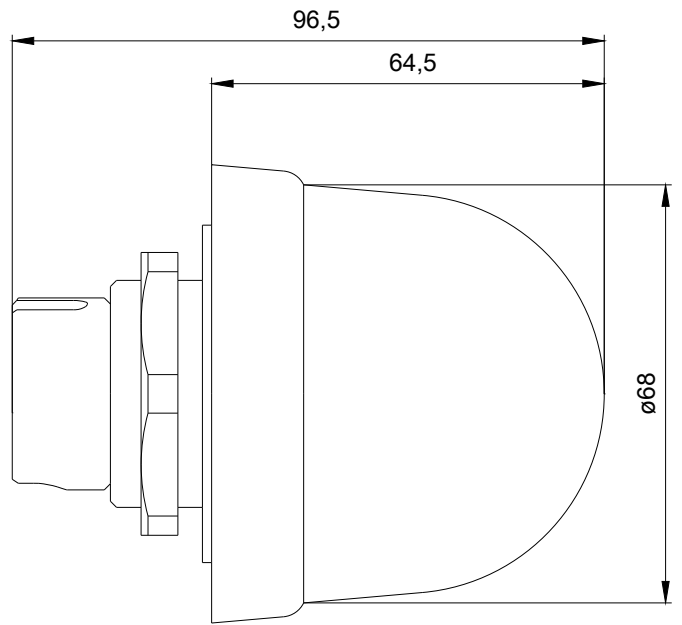
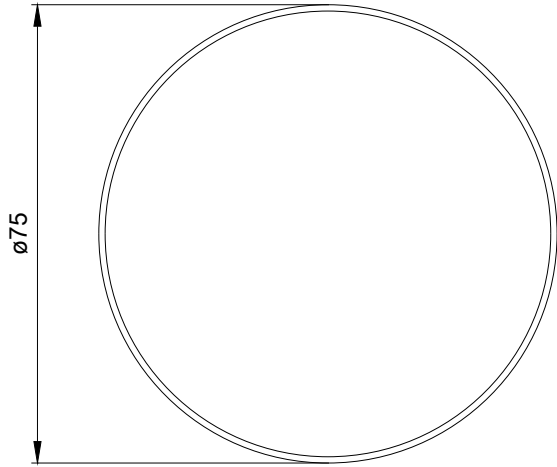
**Information- and Downloadcenter (Catalogs, Brochures,...)**  
[www.siemens.com/sirius/catalogs](http://www.siemens.com/sirius/catalogs)

**Industry Mall (Online ordering system)**  
<https://mall.industry.siemens.com/mall/en/en/Catalog/product?mlfb=8WD5320-5BD>

**Cax online generator**  
<http://support.automation.siemens.com/WW/CAXorder/default.aspx?lang=en&mlfb=8WD5320-5BD>

**Service&Support (Manuals, Certificates, Characteristics, FAQs,...)**  
<https://support.industry.siemens.com/cs/ww/en/ps/8WD5320-5BD>

**Image database (product images, 2D dimension drawings, 3D models, device circuit diagrams, EPLAN macros, ...)**  
[http://www.automation.siemens.com/bilddb/cax\\_de.aspx?mlfb=8WD5320-5BD&lang=en](http://www.automation.siemens.com/bilddb/cax_de.aspx?mlfb=8WD5320-5BD&lang=en)



SIEMENS

last modified:

09/13/2019