

Integrated signal lamp, rotating light, with integrated LED, yellow, 24 V AC/DC, Diameter 70 mm







General technical data	
Product designation	Rotating light element
Consumed current maximum	40 mA
Type of voltage	AC/DC
<ul style="list-style-type: none"> of the operating voltage 	
Operating voltage	
<ul style="list-style-type: none"> 1 at DC rated value 1 at AC at 50 Hz rated value 1 at AC at 60 Hz rated value 	24 V 24 V 24 V
Relative positive tolerance of the operating voltage	10 %
Relative negative tolerance of the operating voltage	-10 %
Speed	120 1/min
Reference code	P
<ul style="list-style-type: none"> acc. to DIN EN 81346-2 	
Mounting type	Bayonet / flush mounting
Material	PC; PC/ABS; PA
Color	yellow
Mechanical data	

Product component Light source	Yes
Type of electrical connection	screw-type terminals
Outer diameter of the signal column element	75 mm

Lamp	
Design of the optical signal	rotating light
Type of light source	LED
Light intensity	3.3 cd
Service life of LED	100 000 h

Ambient conditions	
Ambient temperature during operation	-20 ... +50 °C
Protection class IP	IP65
Depth	31 mm
Height	66 mm
Width	75 mm

Certificates/ approvals

General Product Approval	EMC	Declaration of Conformity	other
 UL		 RCM	 EG-Konf.
			Miscellaneous Confirmation

Further information

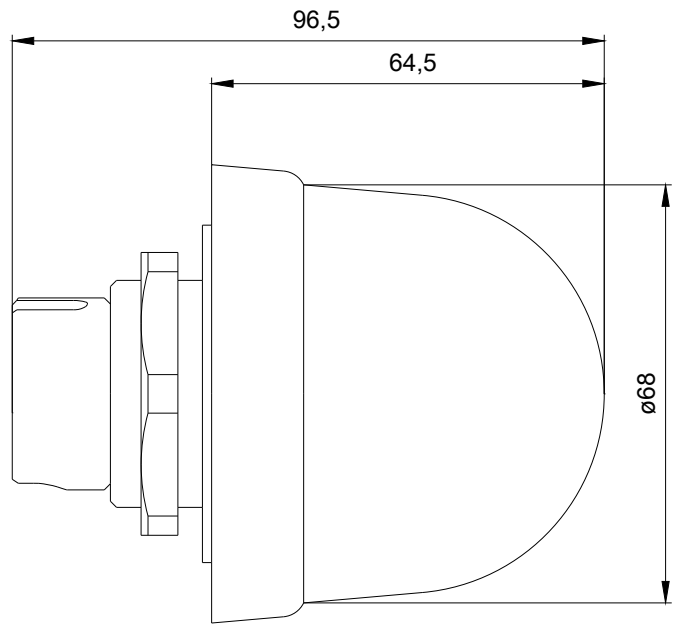
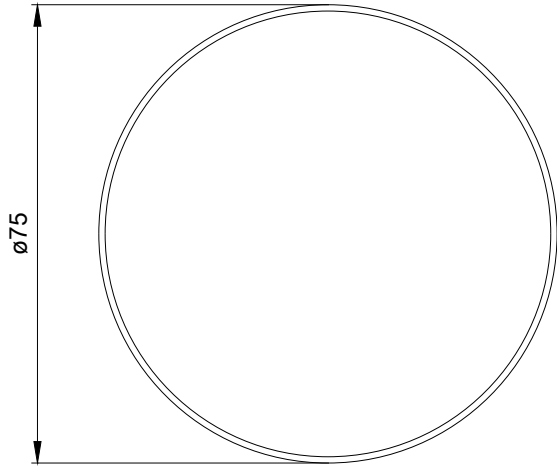
Information- and Downloadcenter (Catalogs, Brochures,...)
www.siemens.com/sirius/catalogs

Industry Mall (Online ordering system)
<https://mall.industry.siemens.com/mall/en/en/Catalog/product?mlfb=8WD5320-5DD>

Cax online generator
<http://support.automation.siemens.com/WW/CAXorder/default.aspx?lang=en&mlfb=8WD5320-5DD>

Service&Support (Manuals, Certificates, Characteristics, FAQs,...)
<https://support.industry.siemens.com/cs/ww/en/ps/8WD5320-5DD>

Image database (product images, 2D dimension drawings, 3D models, device circuit diagrams, EPLAN macros, ...)
http://www.automation.siemens.com/bilddb/cax_de.aspx?mlfb=8WD5320-5DD&lang=en



SIEMENS

last modified:

09/13/2019